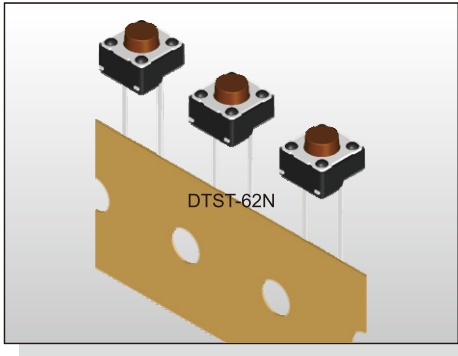


TACT SWITCH DTST-6 SERIES

6x6 Radial Taping Type



FEATURES

- ※Radial taping type
- ※Variety of actuator lengths
- ※Allow automatic insertion onto PCB.

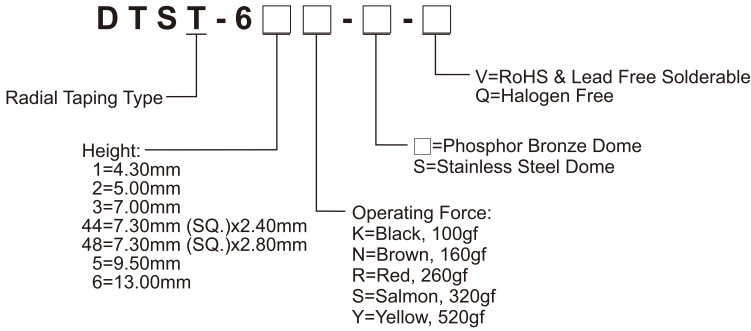
APPLICATION

- ※White goods , OA equipment
- ※Audio, DVD player, TV
- ※Instrumentation

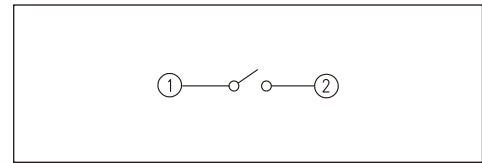
SPECIFICATION

Contact Rating	50mA, 12V DC
Contact Resistance	100mΩ max.
Insulation Resistance	100MΩ min. 500V DC
Dielectric Strength	250V AC/1 minute
Operating Force	100±50gf, Black(K) 160±50gf, Brown(N) 260±50gf, Red(R) 320±80gf, Salmon(S) 520±130gf, Yellow(Y)
Travel	0.25mm
Operating Life	Phosphor Bronze Dome 50,000 cycles for 520/320gf 100,000 cycles for 260gf 200,000 cycles for 160/100gf Stainless Steel Dome 300,000 cycles for 520/320gf 500,000 cycles for 260gf 1,000,000 cycles for 160/100gf
Operating Temp.	-25°C ~ +70°C
Storage Temp.	-30°C ~ +80°C

HOW TO ORDER



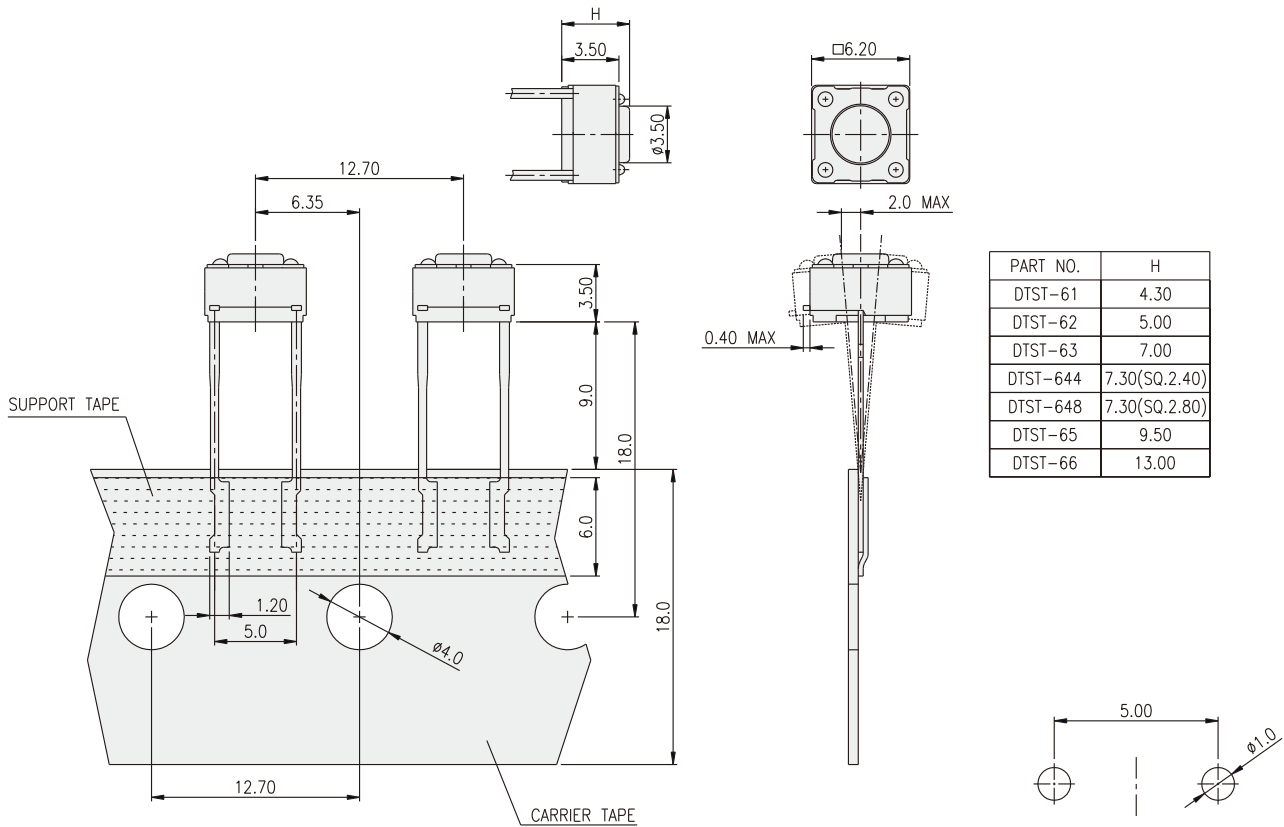
CIRCUIT



PACKAGE

<Box>
900 pcs

DTST-6



P.C.B. LAYOUT