

REVISION RECORD				
REV	ECN	DESCRIPTION	DRFT	DATE

NOTES1:
 UL Standard
 1. Rated Voltage/Current : 300V / 8A
 2. Withstanding Voltage : AC1600V/1Min.
 3. Wire Range : 28~16AWG

IEC Standard

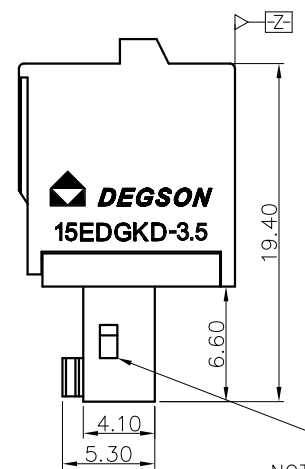
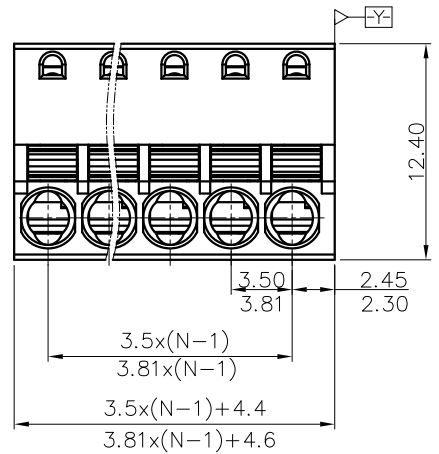
1. Pollution Degree	3
Overvoltage Category	II
Rate Impulse Voltage(KV)	2.5KV
Rate Voltage(V)	250V
Rate Current(A)	12A

2. Wire Range : 0.2~1.5mm²

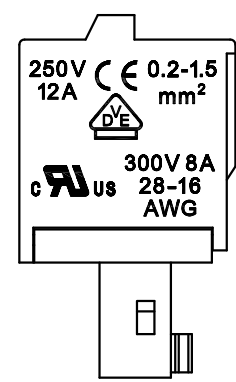
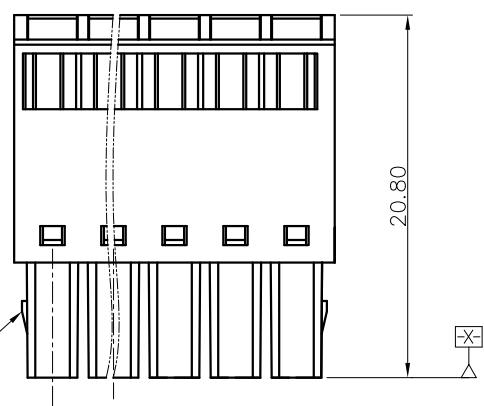
NOTES2:
 1. Dimension shall be interpreted per ASME Y14.5-2009
 2. Pitch : 3.50/3.81mm, Poles : N=2-24P
 3. Stripping length : 8.0mm
 4. Operating temperature: -40°C~+105°C
 5. Undimensioned Tolerances:

Pitch range in mm		Nominal dimension range in mm						
TO	OVER TO	TO	OVER TO	OVER TO	OVER TO	TO	OVER TO	
6	10	6	10	30	60	100	150	0.1/10
±0.15	±0.20	±0.30	±0.30	±0.50	±0.70	±1.00	±1.30	±2'

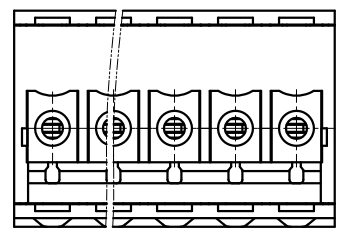
6. RoHS Compliance



NOTE: 2-6P with drill hole,
 7-24P without drill hole



15EDGKD - 3.5/3.81 - XXP - 1Y - 00A (H)
 (Series No.) (Pitch) (Poles) (Single Pitch) (Color): 1.(Grey)
 2.(Blue)
 3.(Black)
 4.(Green)
 5.(Orange)
 6.(Red)
 7.(Transparent)
 8.(Yellow)
 9.(White)



DETACHED LISTS	PART NO.:	/		
	APPD:	/		
	CHKD:	/		
	DRFT:	/		
	NAME:		NINGBO DEGSON ELECTRICAL CO., LTD	
NAME:		15EDGKD-3.5/3.81-XXP-1Y-00A(H)		
TITLE:		CUSTOMER DRAWING	REV	DO
DRAWING NO.:		/	SHEET	1/1
THIRD ANGLE PROJECTION		MM (INCH)	DO NOT SCALE DRAWING	SCALE 1:1

H
G
F
E
D
C
B
A

H
G
F
E
D
C
B
A