

Chip EMIFIL LC Combined Type for Large Current NFE61PT□□□□1H9□ Reference Specification

1. Scope

This reference specification applies to Chip EMIFIL LC Combined Type for Large Current NFE61P Series.

2. Part Numbering

NF	E	61	PT	101	Z	1H	9	L
Product ID	Structure	Dimension (L×W)	Features	Capacitance	Characteristics	Rated Voltage	Electrode	Packaging Code
						(L: Taping / B: Bulk)		

3. Rating

Customer Part Number	Murata Part Number	Capacitance	Rated Voltage	Withstanding Voltage	Rated Current	Insulation Resistance
	NFE61PT330B1H9L NFE61PT330B1H9B	33pF ± 30%	50 V(DC)	125 V(DC)	2 A(DC)	1000 MΩ min.
	NFE61PT680B1H9L NFE61PT680B1H9B	68pF ± 30%				
	NFE61PT101Z1H9L NFE61PT101Z1H9B	100pF ± 30%				
	NFE61PT181B1H9L NFE61PT181B1H9B	180pF ± 30%				
	NFE61PT361B1H9L NFE61PT361B1H9B	360pF ± 20%				
	NFE61PT681B1H9L NFE61PT681B1H9B	680pF ± 30%				
	NFE61PT102E1H9L NFE61PT102E1H9B	1000pF ± $\begin{smallmatrix} 8 \\ 2 \end{smallmatrix} \%$				
	NFE61PT472C1H9L NFE61PT472C1H9B	4700pF ± $\begin{smallmatrix} 8 \\ 2 \end{smallmatrix} \%$				

• Operating Temperature : - 40 °C to + 85 °C

• Storage Temperature : - 55 °C to + 125 °C

4. Standard Testing Condition

<Unless otherwise specified>

Temperature: Ordinary Temp. 15°C to 35°C

Humidity: Ordinary Humidity 25%(RH) to 85%(RH)

<In case of doubt>

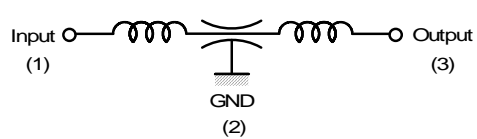
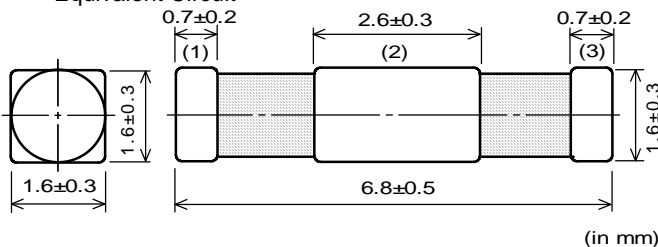
Temperature: 20°C ± 2°C

Humidity: 60%(RH) to 70%(RH)

Atmospheric pressure: 86kPa to 106kPa

5. Style and Dimensions

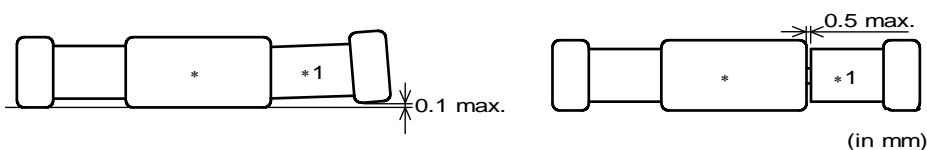
Equivalent Circuit



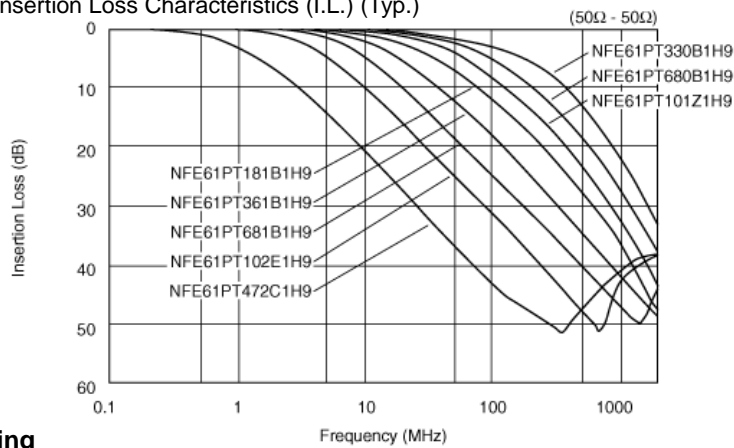
* (1),(3):No Polarity

■ Unit Mass (Typical value)
0.062g

Note : Gap and bend between ceramic capacitor(*) and ferrite bead(*1) may come out as illustrated below, however, these are not affect the performance, mounting and reliability of the products.



■ Insertion Loss Characteristics (I.L.) (Typ.)



6. Marking

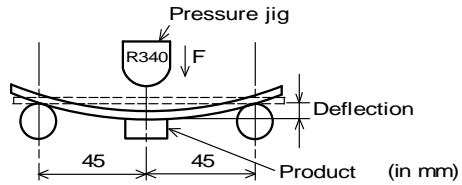
No marking.

7. Electrical Performance

No.	Item	Specification	Test Method															
7.1	Capacitance	Meet item 3.	<table border="1"> <thead> <tr> <th colspan="3">Table 1</th> </tr> <tr> <th>Capacitance</th> <th>Voltage</th> <th>Frequency</th> </tr> </thead> <tbody> <tr> <td>33,68,100 (pF)</td> <td>1 to 5 V(rms)</td> <td>1MHz±10%</td> </tr> <tr> <td>180,360,680 1000 (pF)</td> <td>1±0.2 V(rms)</td> <td>1kHz±10%</td> </tr> <tr> <td>4700 (pF)</td> <td>0.1 max.V(rms)</td> <td>1kHz±10%</td> </tr> </tbody> </table>	Table 1			Capacitance	Voltage	Frequency	33,68,100 (pF)	1 to 5 V(rms)	1MHz±10%	180,360,680 1000 (pF)	1±0.2 V(rms)	1kHz±10%	4700 (pF)	0.1 max.V(rms)	1kHz±10%
Table 1																		
Capacitance	Voltage	Frequency																
33,68,100 (pF)	1 to 5 V(rms)	1MHz±10%																
180,360,680 1000 (pF)	1±0.2 V(rms)	1kHz±10%																
4700 (pF)	0.1 max.V(rms)	1kHz±10%																
7.2	Insulation Resistance(I.R.)	Meet item 3.	Voltage : 50 V(DC) Time : 60 ± 5 seconds															
7.3	Withstanding Voltage	Products shall not be damaged.	Test Voltage : 125 V(DC) Testing Time : 1 to 5 seconds Limit the charging current: 10mA max.															

8. Mechanical Performance

No.	Item	Specification	Test Method															
8.1	Appearance and Dimensions	Meet item 5.	Visual Inspection and measured with Slide Calipers															
8.2	Solderability	The electrodes shall be at least 75% covered with new solder coating.	Flux : Ethanol solution of rosin, 25(wt)% Pre-heat : 150 ± 10 °C, 60 ~ 90 s Solder : Sn-3.0Ag-0.5Cu Solder Temperature : 240 ± 3 °C Immersion Time : 3 ± 1 s Immersion and emersion rates : 25mm / s															
8.3	Resistance to soldering heat	Meet Table 2. <table border="1"> <thead> <tr> <th colspan="2">Table 2</th> </tr> <tr> <th>Appearance</th> <th>No damaged</th> </tr> </thead> <tbody> <tr> <td rowspan="2">Cap. Change</td> <td>33,68,100 180,360 680 (pF)</td> <td>Within ±15%</td> </tr> <tr> <td>1000 4700(pF)</td> <td>Within ±30%</td> </tr> <tr> <td>I.R.</td> <td>1000 MΩ min.</td> <td></td> </tr> <tr> <td>Withstanding Voltage</td> <td>No damaged</td> <td></td> </tr> </tbody> </table>	Table 2		Appearance	No damaged	Cap. Change	33,68,100 180,360 680 (pF)	Within ±15%	1000 4700(pF)	Within ±30%	I.R.	1000 MΩ min.		Withstanding Voltage	No damaged		Flux : Ethanol solution of rosin, 25(wt)% Pre-heat : 150 ± 10 °C, 60 ~ 90 s Solder : Sn-3.0Ag-0.5Cu Solder Temperature : 270 ± 5 °C Immersion Time : 10 ± 1 s Immersion and emersion rates : 25mm / s Then measured after exposure the room condition for 4 to 48 hours.
Table 2																		
Appearance	No damaged																	
Cap. Change	33,68,100 180,360 680 (pF)	Within ±15%																
	1000 4700(pF)	Within ±30%																
I.R.	1000 MΩ min.																	
Withstanding Voltage	No damaged																	

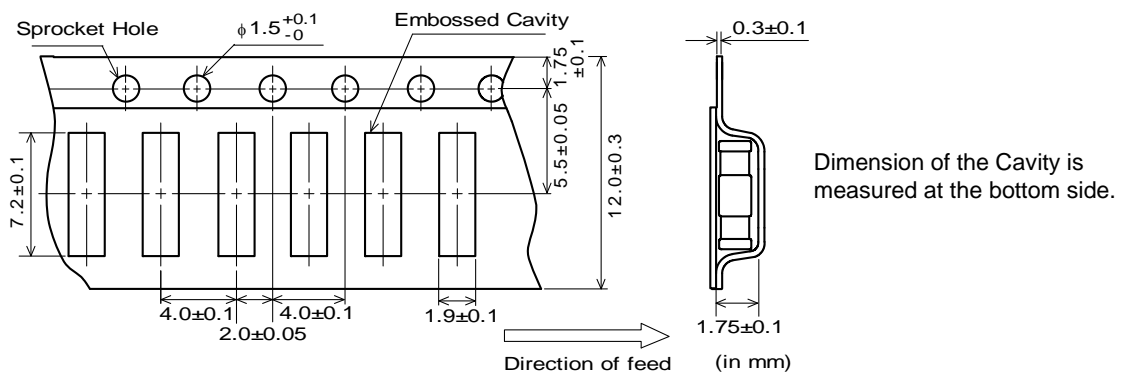
No.	Item	Specification	Test Method								
8.4	Bending Strength	Meet Table 2. Table 2 <table border="1" style="margin-left: 20px;"> <thead> <tr> <th>Appearance</th> <th colspan="2">No damaged</th> </tr> </thead> <tbody> <tr> <td rowspan="2">Cap. Change</td> <td>33,68,100 180,360 680 (pF)</td> <td>Within ±15%</td> </tr> <tr> <td>1000 4700(pF)</td> <td>Within ±30%</td> </tr> </tbody> </table>	Appearance	No damaged		Cap. Change	33,68,100 180,360 680 (pF)	Within ±15%	1000 4700(pF)	Within ±30%	It shall be soldered on the paper-phenol substrate. (t=1.6mm)  Deflection : 3 mm Keeping Time : 30 seconds
Appearance	No damaged										
Cap. Change	33,68,100 180,360 680 (pF)	Within ±15%									
	1000 4700(pF)	Within ±30%									

9. Environment Performance (It shall be soldered on the substrate.)

No.	Item	Specification	Test Method														
9.1	Humidity	Meet Table 4. Table 4 <table border="1" style="margin-left: 20px;"> <thead> <tr> <th>Appearance</th> <th colspan="2">No damaged</th> </tr> </thead> <tbody> <tr> <td rowspan="2">Cap. Change</td> <td>33,68,100 180,360 680 (pF)</td> <td>Within ±15%</td> </tr> <tr> <td>1000 4700 (pF)</td> <td>Within ±30%</td> </tr> <tr> <td>I.R.</td> <td colspan="2">100 MΩ min.</td> </tr> <tr> <td>Withstanding Voltage</td> <td colspan="2">No damaged</td> </tr> </tbody> </table>	Appearance	No damaged		Cap. Change	33,68,100 180,360 680 (pF)	Within ±15%	1000 4700 (pF)	Within ±30%	I.R.	100 MΩ min.		Withstanding Voltage	No damaged		Temperature : 40 ± 2 °C Humidity : 90 to 95 %(RH) Time : 500 h (+ 24 h , - 0 h) Then measured after exposure in the room condition for 4 to 48 hours.
Appearance	No damaged																
Cap. Change	33,68,100 180,360 680 (pF)	Within ±15%															
	1000 4700 (pF)	Within ±30%															
I.R.	100 MΩ min.																
Withstanding Voltage	No damaged																
9.2	Heat Life	<table border="1" style="margin-left: 20px;"> <tbody> <tr> <td rowspan="2">Cap. Change</td> <td>33,68,100 180,360 680 (pF)</td> <td>Within ±15%</td> </tr> <tr> <td>1000 4700 (pF)</td> <td>Within ±30%</td> </tr> <tr> <td>I.R.</td> <td colspan="2">100 MΩ min.</td> </tr> <tr> <td>Withstanding Voltage</td> <td colspan="2">No damaged</td> </tr> </tbody> </table>	Cap. Change	33,68,100 180,360 680 (pF)	Within ±15%	1000 4700 (pF)	Within ±30%	I.R.	100 MΩ min.		Withstanding Voltage	No damaged		Temperature : 85 ± 2 °C Test Voltage : 33,68,100,180,360,680 (pF) : Rated Voltage × 200% 1000,4700 (pF) : Rated Voltage × 150% Time : 1000 h (+ 48h , - 0h) Then measured after exposure in the room condition for 4 to 48 hours.			
Cap. Change	33,68,100 180,360 680 (pF)	Within ±15%															
	1000 4700 (pF)	Within ±30%															
I.R.	100 MΩ min.																
Withstanding Voltage	No damaged																
9.3	Temperature Cycling	Meet Table 2.	1 Cycle 1step : - 55°C (+ 0°C, - 3°C) / 30±3 min 2step : Room Temperature / within 5 min 3step : +125°C (+ 3°C, - 0°C) / 30±3 min 4step : Room Temperature / within 5 min Total of 10 cycles Then measured after exposure in the room condition for 4 to 48 hours.														

10. Specification of Packaging

10.1. Appearance and Dimensions (12mm-wide plastic tape)



10.2. Specification of Taping

(1) Packing quantity (standard quantity)

2500 pcs. / reel

(2) Packing Method

Products shall be packaged in the cavity of the plastic tape and sealed with cover tape.

(3) Sprocket Hole

The sprocket holes are to the right as the tape is pulled toward the user.

(4) Spliced point

The cover tape have no spliced point.

(5) Missing components number

Missing components number within 0.1% of the number per reel or 1 pc., whichever is greater, and are not continuous. The specified quantity per reel is kept.

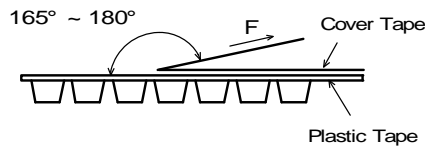
10.3. Pull Strength of Plastic Tape and Cover Tape

Plastic tape	5N min.
Cover tape	10N min.

10.4. Peeling off force of cover tape

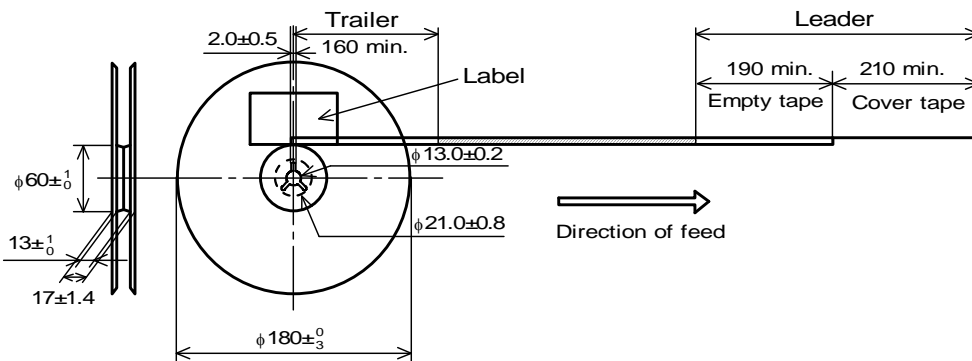
0.2N to 0.7N (minimum value is typical)

* Speed of Peeling off : 300 mm / min



10.5. Dimensions of Leader-tape, Trailer and Reel

There shall be leader-tape (cover tape only and empty tape) and trailer-tape (empty tape) as follows.



(in: mm)

10.6. Marking for reel

Customer part number , MURATA part number , Inspection number(*1) , RoHS marking(*2) , Quantity , etc

*1) « Expression of Inspection No. »

$\square\square$ $OOOO$ XXX

(1) (2) (3)

(1) Factory Code

(2) Date First digit : Year / Last digit of year

Second digit : Month / Jan. to Sep. → 1 to 9, Oct. to Dec. → O, N, D

Third, Fourth digit : Day

(3) Serial No.

*2) « Expression of RoHS marking » ROHS – Y (Δ)

(1) (2)

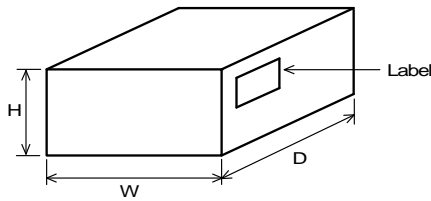
(1) RoHS regulation conformity parts.

(2) MURATA classification number

10.7. Marking for Outside package (corrugated paper box)

Customer name , Purchasing Order Number , Customer Part Number , MURATA part number , RoHS marking (*2) , Quantity , etc

10.8. Specification of Outer Case



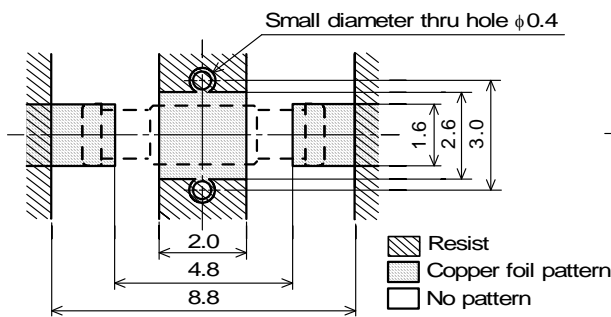
Outer Case Dimensions (mm)			Standard Reel Quantity in Outer Case (Reel)
W	D	H	
186	186	93	4

* Above Outer Case size is typical. It depends on a quantity of an order.

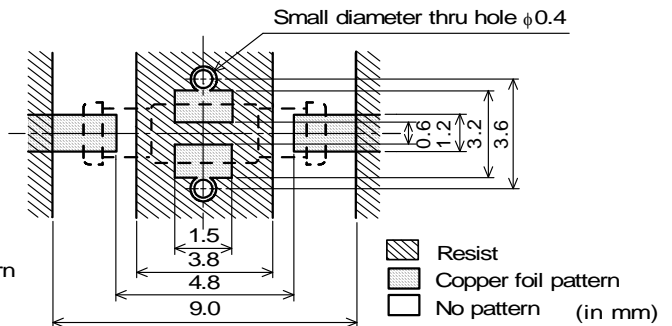
11. Standard Land Dimensions

The chip EMI filter suppresses noise by conducting the high-frequency noise element to ground. Therefore, to get enough noise reduction, feed through holes which is connected to ground-plane should be arranged according to the figure to reinforce the ground-pattern.

(a) Standard land dimensions for reflow
·Side on which chips are mounted



(b) Standard land dimensions for flow
·Side on which chips are mounted



12. ⚠ Caution

Limitation of Applications

Please contact us before using our products for the applications listed below which require especially high reliability for the prevention of defects which might directly cause damage to the third party's life, body or property.

- (1)Aircraft equipment (2)Aerospace equipment (3)Undersea equipment (4)Power plant control equipment
- (5)Medical equipment (6)Transportation equipment(automobiles, trains, ships, etc.) (7)Traffic signal equipment
- (8)Disaster prevention / crime prevention equipment (9)Data-processing equipment
- (10)Applications of similar complexity or with reliability requirements comparable to the applications listed in the above

13. Notice

This product is designed for solder mounting.

Please consult us in advance for applying other mounting method such as conductive adhesive.

13.1. Flux and Solder

Flux	Use rosin-based flux, Do not use highly acidic flux (with chlorine content exceeding 0.2(wt)%). Do not use water-soluble flux.
Solder	Use Sn-3.0Ag-0.5Cu solder

13.2. Note for Assembling

< Thermal Shock >

Pre-heating should be in such a way that the temperature difference between solder and products surface is limited to 100°C max. Also cooling into solvent after soldering should be in such a way that the temperature difference is limited to 100°C max.

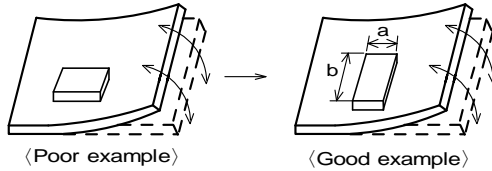
<Consideration for mounting of 2.5mm pitch>

The mounting of 2.5mm pitch should be prevented on flow soldering to avoid an excess of solder volume.

13.3. Attention Regarding P.C.B. Bending

The following shall be considered when designing P.C.B.'s and laying out products.

- (1) P.C.B. shall be designed so that products are not subject to the mechanical stress for board warpage.
[Products direction]



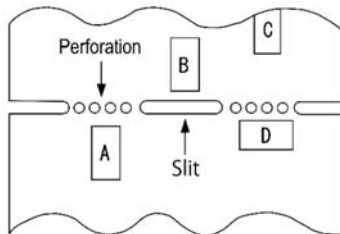
Products shall be located in the sideways direction (Length:a<b) to the mechanical stress.

- (2) Components location on P.C.B. separation.

It is effective to implement the following measures, to reduce stress in separating the board.

It is best to implement all of the following three measures; however, implement as many measures as possible to reduce stress.

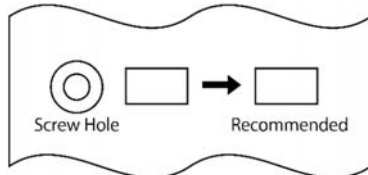
Contents of Measures	Stress Level
(1) Turn the mounting direction of the component parallel to the board separation surface.	A > D *1
(2) Add slits in the board separation part.	A > B
(3) Keep the mounting position of the component away from the board separation surface.	A > C



*1 A > D is valid when stress is added vertically to the perforation as with Hand Separation. If a Cutting Disc is used, stress will be diagonal to the PCB, therefore A > D is invalid.

- (3) Mounting Components Near Screw Holes

When a component is mounted near a screw hole, it may be affected by the board deflection that occurs during the tightening of the screw. Mount the component in a position as far away from the screw holes as possible.



13.4. Standard Soldering Conditions

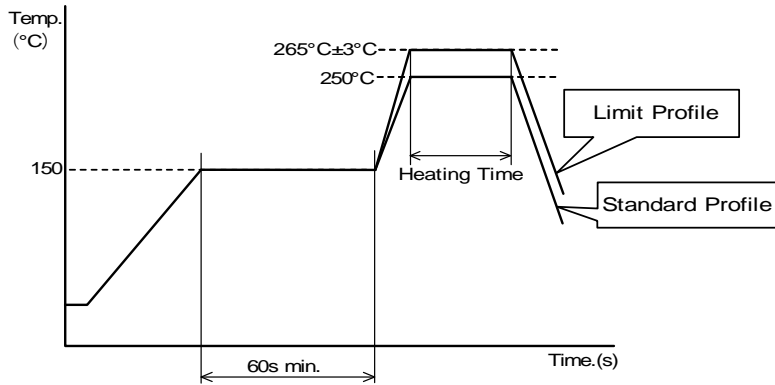
On flow soldering (e.g. double wave soldering), use the product in consideration of the conditions of solder, solder temperature and immersion time (melting time) because longer soldering time may cause the corrosion of the electrode.

On dipping soldering, use the product in consideration of the conditions of solder, solder temperature, flux, preheat and so on because de-wetting may be caused.

Standard soldering profile and the limit soldering profile is as follows.

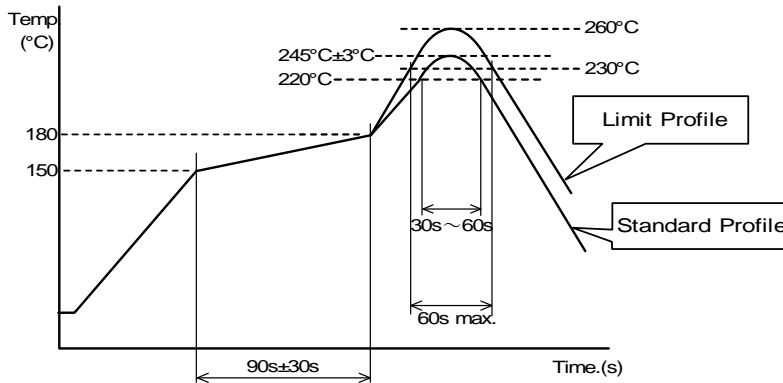
The excessive soldering conditions may cause leaching of the electrode and/or resulting in the deterioration of product quality.

< Flow Soldering Profile >



	Standard Profile	Limit Profile
Pre-heating	150°C , 60s min.	
Heating	250°C , 4s ~ 6s	265°C ± 3°C , 5s max.
Cycle of flow	2 times	2 times

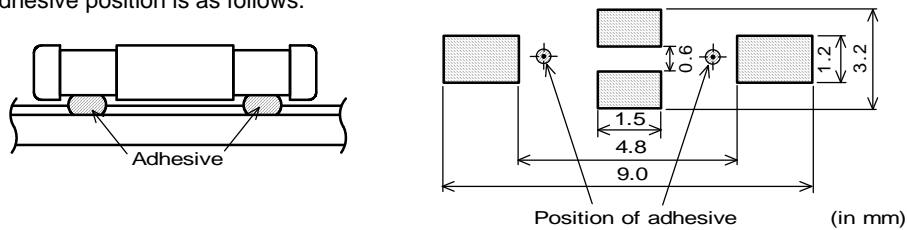
< Reflow Soldering Profile >



	Standard Profile	Limit Profile
Pre-heating	150°C ~ 180°C , 90s ± 30s	
Heating	above 220°C , 30s ~ 60s	above 230°C , 60s max.
Peak temperature	245°C ± 3°C	260°C , 10s
Cycle of reflow	2 times	2 times

13.5. Printing of Adhesive (Flow Soldering)

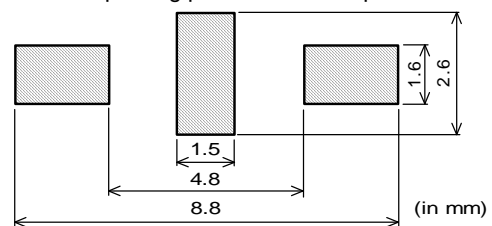
Adhesive amount shall be about 0.5mg for one position to obtain enough adhesive strength.
The adhesive position is as follows.



13.6. Solder paste printing for reflow

- Standard thickness of the solder paste should be 150µm to 200µm.
- Use the solder paste printing pattern of the right pattern.
- For the resist and copper foil pattern, use standard land dimensions.

• Standard printing pattern of solder paste.



13.7. Reworking with Soldering iron

The following conditions shall be strictly followed when using a soldering iron.

- Pre-heating : 150°C, 1 min
- Tip temperature : 350°C max.
- Soldering time : 3(+1,-0) s
- Soldering iron output : 30W max.
- Tip diameter : ϕ 3mm max.
- Times : 2times max.

Note: Do not directly touch the products with the tip of the soldering iron in order to prevent the crack on the ceramic material due to the thermal shock.

13.8. Cleaning Conditions

Products shall be cleaned on the following conditions.

- (1) Cleaning temperature shall be limited to 60°C max. (40°C max. for IPA.)
- (2) Ultrasonic cleaning shall comply with the following conditions, with avoiding the resonance phenomenon at the mounted products and P.C.B.
 - Power: 20W / l max. Frequency: 28kHz to 40kHz Time: 5 minutes max.
- (3) Cleaner
 1. Cleaner
 - Isopropyl alcohol (IPA)
 2. Aqueous agent
 - PINE ALPHA ST-100S
- (4) There shall be no residual flux and residual cleaner after cleaning.

In the case of using aqueous agent, products shall be dried completely after rinse with de-ionized water in order to remove the cleaner.
- (5) Other cleaning

Please contact us.

13.9. Operating Environment

Do not use this product under the following environmental conditions, on deterioration of the performance, such as insulation resistance may result from the use.

- (1) in the corrodible atmosphere (acidic gases, alkaline gases, chlorine, sulfur gases, organic gases and etc.)
- (2) in the atmosphere where liquid such as organic solvent, may splash on the products.

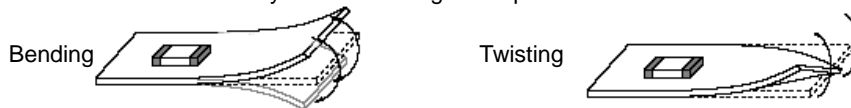
13.10. Resin coating

It may affect on the product's performance when using resin for coating / molding products. So please pay your careful attention when you select resin. In prior to use, please make the reliability evaluation with the product mounted in your application set.

13.11. Handling of a substrate

After mounting products on a substrate, do not apply any stress to the product caused by bending or twisting to the substrate when cropping the substrate, inserting and removing a connector from the substrate or tightening screw to the substrate.

Excessive mechanical stress may cause cracking in the product.



13.12. Storage condition

(1) Storage period

Use the products within 12 months after delivered.

Solderability should be checked if this period is exceeded.

(2) Storage environment condition

- Products should be stored in the warehouse on the following conditions.

Temperature : - 10 °C to + 40 °C

Humidity : 15 % to 85% relative humidity No rapid change on temperature and humidity

- Don't keep products in corrosive gases such as sulfur, chlorine gas or acid, or it may cause oxidization of electrode, resulting in poor solderability.
- Products should be stored on the palette for the prevention of the influence from humidity, dust and so on.
- Products should be stored in the warehouse without heat shock, vibration, direct sunlight and so on.
- Products should be stored under the airtight packaged condition.

(3) Delivery

Care should be taken when transporting or handling product to avoid excessive vibration or mechanical shock.

14.  Notes

- (1) Please make sure that your product has been evaluated in view of your specifications with our product being mounted to your product.
- (2) You are requested not to use our product deviating from the reference specifications.
- (3) The contents of this reference specification are subject to change without advance notice. Please approve our product specifications or transact the approval sheet for product specifications before ordering.