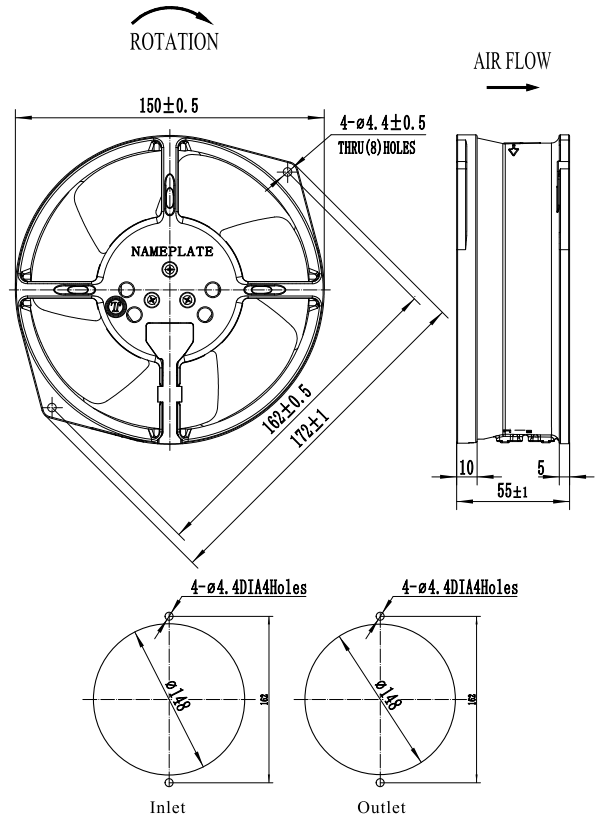




**JIULONG MOTOR**  
AC/DC FANS COOLING FANS

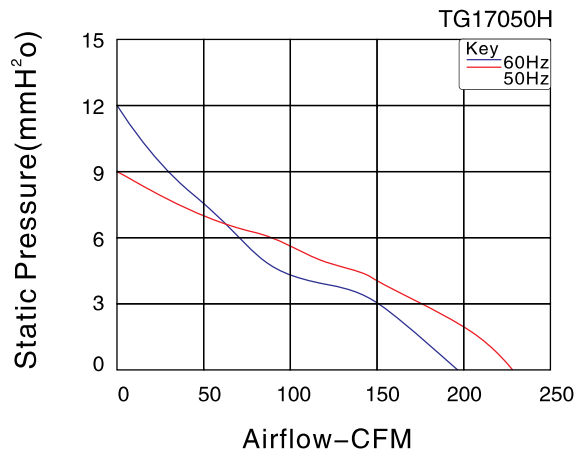


**UL**  
E248719

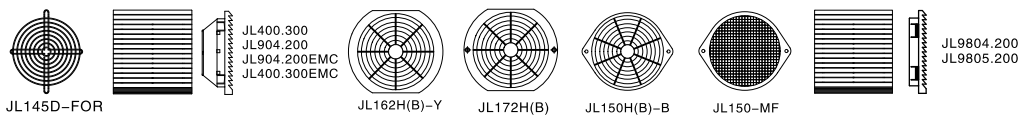


尺寸 Size: 172mm × 150mm × 55mm  
 风量 Airflow: 191–224CFM  
 重量 Weight: 1200g  
 噪音 Noise: 48–52dB(A)  
 风叶 Impeller Material: Metal  
 外框 Frame: Aluminum Alloy  
 端子 Terminals: 0.5mm  
 引线 Lead Wire: Teflon #22UL 1322(Optional)  
 马达 Motor: Shaded Pole And External Rotor Induction Motor  
 温度范围 Operating Temperature: -10°C~+65°C

| 产品型号<br>Model  | 轴承型式<br>Bearing System | 电压<br>Voltage VAC | 频率<br>Freq. Hz | 电流<br>Current A | 功率<br>Power W | 转速<br>Speed RPM | 噪音<br>Noise dB(A) | 风量<br>Air Flow CFM | 相数<br>Phase | 电容<br>Capacitor μF/VAC |
|----------------|------------------------|-------------------|----------------|-----------------|---------------|-----------------|-------------------|--------------------|-------------|------------------------|
| TG17055HA,B-7P | Ball                   | 100/125           | 50/60          | 0.58/0.5        | 42/39         | 2800/3100       | 48/52             | 191/224            | 1           | /                      |
| TG17055HA,B-7P | Ball                   | 200/240           | 50/60          | 0.25/0.2        | 35/31         | 2800/3100       | 48/52             | 191/224            | 1           | /                      |

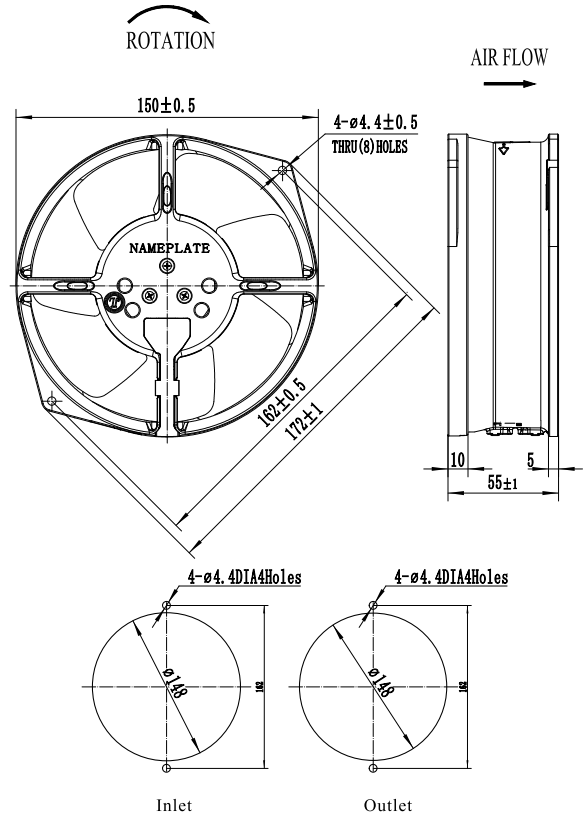


### Fan Accessories



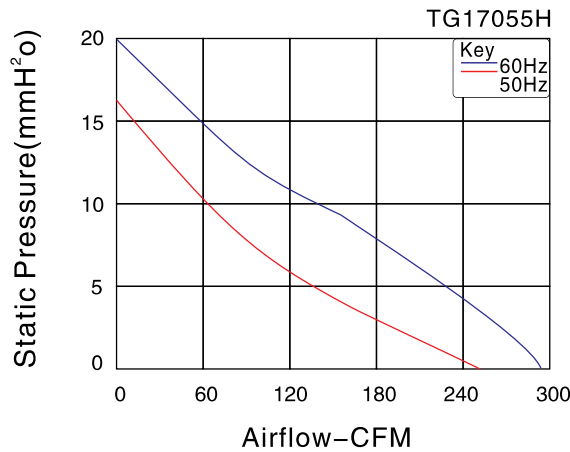
本样图仅供参考，具体以规格书为准。  
 This sample book is for reference only, please refer to the specification for details.  
 如需特殊电压也可根据规格书提供，本公司保留技术修改权利。  
 Special voltage may be provided if necessary according to the inquiry, along with technical modification rights reserved.

Http://www.xtgygs.cn

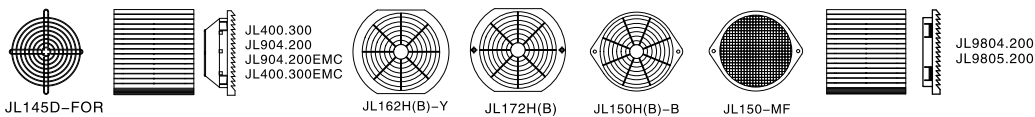


尺寸 Size: 172mm × 150mm × 55mm  
 风量 Airflow: 250–293CFM  
 重量 Weight: 1200g  
 噪音 Noise: 56–61dB(A)  
 风叶 Impeller Material: Metal  
 外框 Frame: Aluminum Alloy  
 端子 Terminals: 0.5mm  
 引线 Lead Wire: Teflon 22#UL 1332(Optional)  
 马达 Motor: Capacitor-Run And External Rotor Induction Motor  
 温度范围 Operating Temperature: -10℃~+65℃

| 产品型号<br>Model                 | 轴承型式<br>Bearing System | 电压<br>Voltage VAC | 频率<br>Freq. Hz | 电流<br>Current A | 功率<br>Power W | 转速<br>Speed RPM | 噪音<br>Noise dB(A) | 风量<br>Air Flow CFM | 相数<br>Phase | 电容<br>Capacitor μF/VAC |
|-------------------------------|------------------------|-------------------|----------------|-----------------|---------------|-----------------|-------------------|--------------------|-------------|------------------------|
| TG17055HA <sub>1</sub> B-C-7P | Ball                   | 100/125           | 50/60          | 0.35/0.40       | 46/50         | 2850/3300       | 56/61             | 250/293            | 1           | 3.3/250                |
| TG17055HA <sub>2</sub> B-C-7P | Ball                   | 200/240           | 50/60          | 0.20/0.22       | 46/50         | 2850/3300       | 56/61             | 250/293            | 1           | 1/500                  |



### Fan Accessories



AC Axial Fan  
AC 轴流风机

AC All-Metal Axial Fan  
AC 全金属轴流风扇

DC Axial Fan  
DC 轴流风机

DC Centrifugal Fan  
DC 离心风机

EC Axial Fan  
EC 轴流风机

EC Centrifugal Fan  
EC 离心风机

AC Centrifugal Fan  
AC 离心风机

Fan Accessories  
风机配件