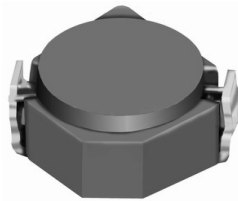


SMD Power Inductor CDRH2D18/HP



Halogen Free



Description

- Ferrite drum core construction.
- Magnetically shielded.
- L × W × H: 3.2 × 3.2 × 2.0 mm Max.
- Product weight: 65mg(Ref.)
- Moisture Sensitivity Level: 1
- RoHS compliance.
- Halogen Free available.

Environmental Data

- Operating temperature range: -40°C~+105°C (including coil's self temperature rise)
- Storage temperature range: -40°C~+105°C
- Solder reflow temperature: 260 °C peak.

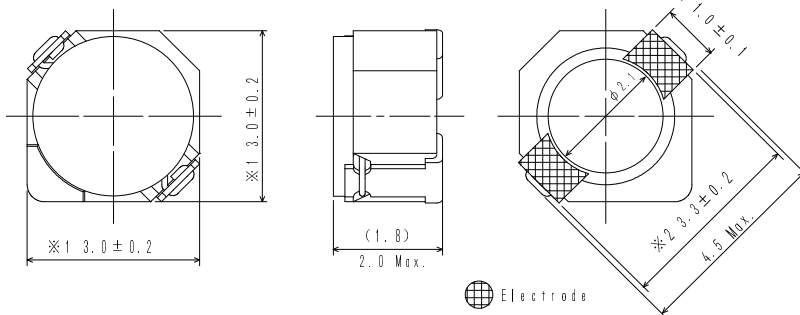
Packaging

- Carrier tape and reel packaging
- 7.0" diameter reel
- 1000pcs per reel

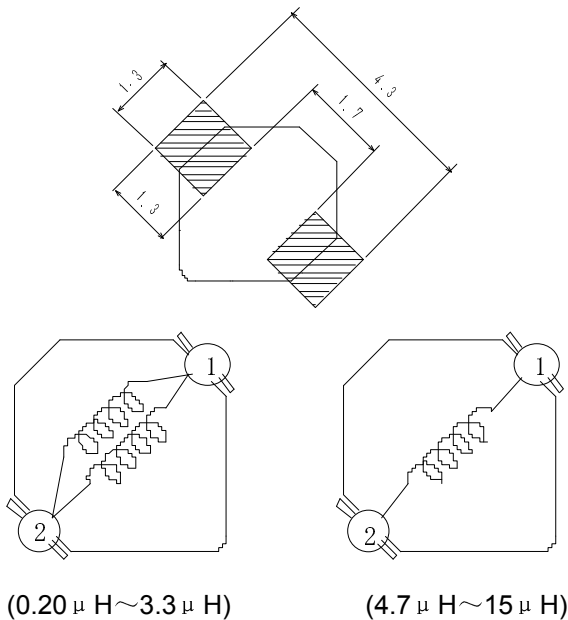
Applications

- Ideally used in Mobilephone, PDA, MP3, DSC/DVC, etc. as DC-DC converter inductors.

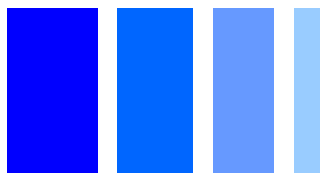
Dimension - [mm]



Land pattern and Schematics - [mm]



SMD Power Inductor CDRH2D18/HP



Electrical Characteristics

| Part Name | Stamp | Inductance (μ H) [within] ※1 | D.C.R. (m Ω) Max. (Typ.) (at 20°C) | Saturation Current (A) ※2 | | Temperature Rise Current (A) ※3 |
|---------------------|-------|---|--|------------------------------|----------|---------------------------------------|
| | | | | at 20°C | at 100°C | |
| CDRH2D18/HPNP-R20NC | N | 0.20 \pm 35% | 22(17) | 5.35 | 3.55 | 4.70 |
| CDRH2D18/HPNP-R36NC | P | 0.36 \pm 35% | 29(22) | 4.62 | 3.00 | 4.10 |
| CDRH2D18/HPNP-R56NC | Q | 0.56 \pm 35% | 33(25) | 3.75 | 2.76 | 3.60 |
| CDRH2D18/HPNP-R82NC | R | 0.82 \pm 35% | 39(30) | 2.91 | 2.20 | 3.30 |
| CDRH2D18/HPNP-1R1NC | S | 1.10 \pm 35% | 43(33) | 2.50 | 1.90 | 2.90 |
| CDRH2D18/HPNP-1R7NC | A | 1.70 \pm 30% | 44(35) | 1.85 | 1.36 | 2.20 |
| CDRH2D18/HPNP-2R2NC | C | 2.20 \pm 30% | 60(48) | 1.60 | 1.15 | 1.90 |
| CDRH2D18/HPNP-3R3NC | E | 3.30 \pm 30% | 86(69) | 1.45 | 1.10 | 1.55 |
| CDRH2D18/HPNP-4R7NC | G | 4.70 \pm 30% | 140(110) | 1.20 | 0.90 | 1.20 |
| CDRH2D18/HPNP-6R3NC | I | 6.30 \pm 30% | 160(128) | 1.05 | 0.78 | 1.15 |
| CDRH2D18/HPNP-100NC | K | 10.0 \pm 30% | 245(195) | 0.85 | 0.65 | 0.90 |
| CDRH2D18/HPNP-150NC | M | 15.0 \pm 30% | 345(275) | 0.70 | 0.53 | 0.64 |

※1. Inductance measuring condition: 0.20 μ H \sim 1.10 μ H at 7.96MHz ; 1.70 μ H \sim 15.0 μ H at 100kHz

※2. Saturation current: The value of D.C. current when the inductance decreases to 65% of its nominal value.

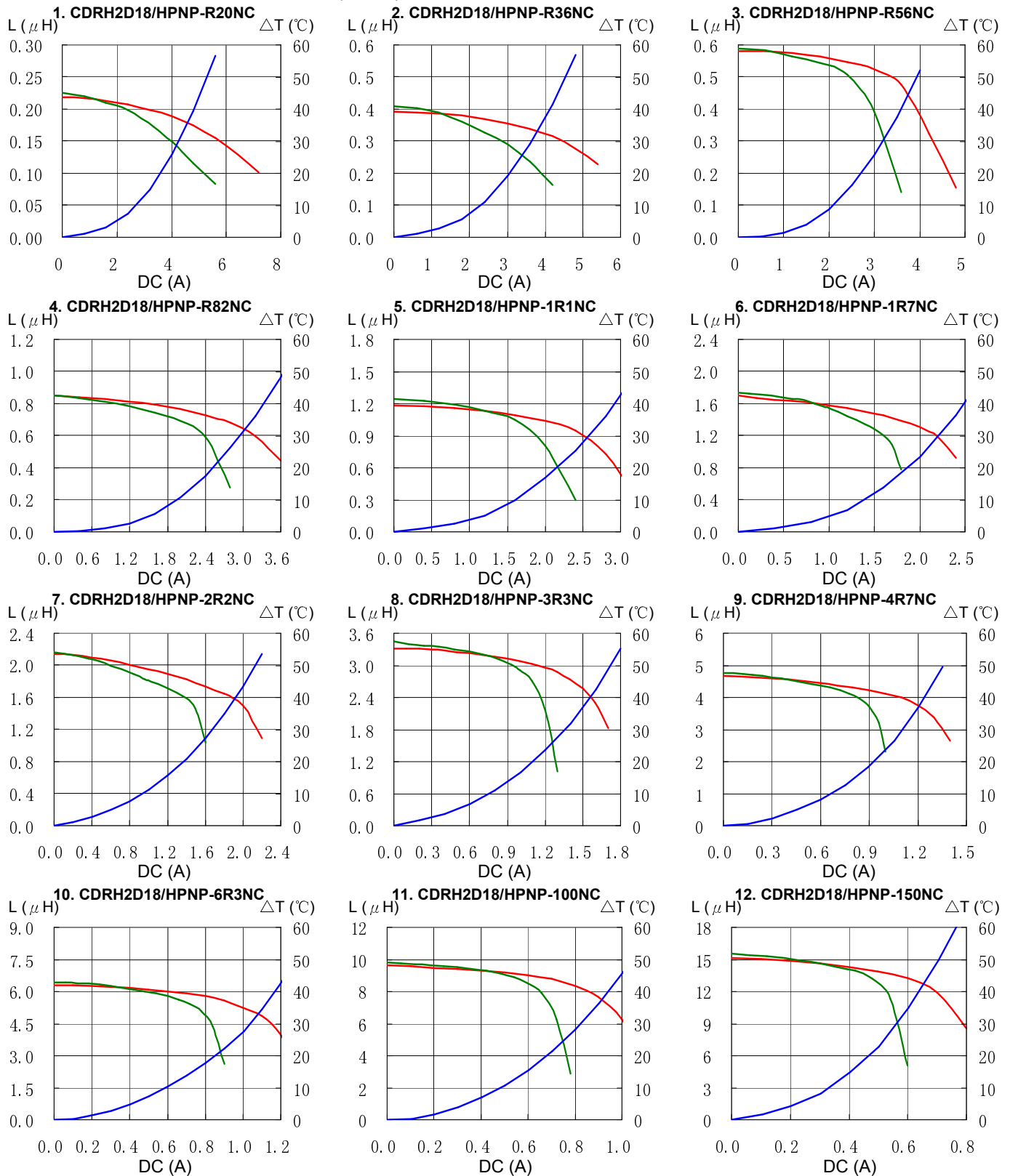
※3. Temperature rise current: The value of D.C. current when the temperature rise is $\Delta t=40^{\circ}\text{C}$ ($T_a=20^{\circ}\text{C}$).

SMD Power Inductor CDRH2D18/HP



Saturation Current & Temperature Rise Graph

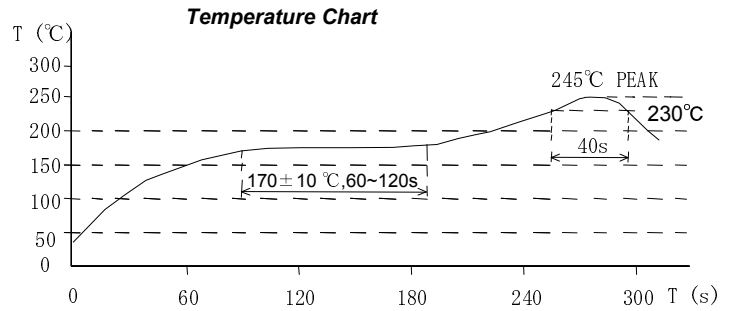
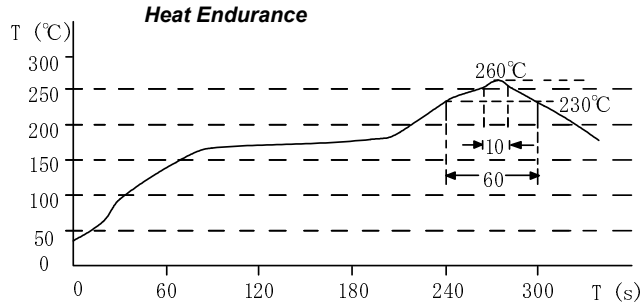
— L (20°C) — L (100°C) — ΔT



SMD Power Inductor CDRH2D18/HP



Solder Reflow Condition



Please refer to the sales offices on our website - <http://www.sumida.com>

Hong Kong

Tel.+852-2880-6781
FAX.+852-2565-9600
sales@hk.sumida.com

Saitama(Japan)

Tel.+81-48-691-7300
FAX.+81-48-691-7340
sales@jp.sumida.com

Chicago

Tel.+1-847-545-6700
FAX. +1-847-545-6720
sales@us.sumida.com

Shanghai

Tel.+86-21-5836-3299
FAX.+86-21-5836-3266
shanghai.sales@cn.sumida.com

Seoul

Tel.+82-2-6237-0777
FAX.+82-2-6237-0778
sales@kr.sumida.com

Oberzell

Tel.+49-8591-937-0
FAX. +49-8591-937-103
contact@eu.sumida.com

Shenzhen

Tel.+86-755-8291-0228
FAX.+86-755-8291-0338
shenzhen.sales@cn.sumida.com

Singapore

Tel.+65-6296-3388
FAX.+65-6841-4426
sales@sg.sumida.com

Neumarkt

Tel.+49-9181-4509-110
FAX. +49-9181-4509-310
infocomp@eu.sumida.com

Taipei

Tel.+886-2-8751-2737
FAX.+886-2-8751-2738
sales@tw.sumida.com

San Jose

Tel.+1-408-321-9660
FAX.+1-408-321-9308
sales@us.sumida.com