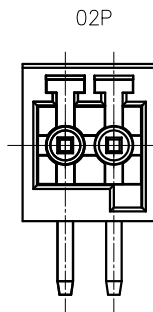
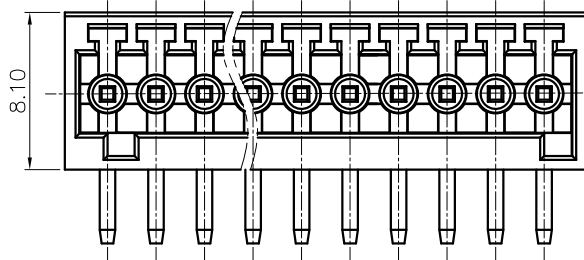
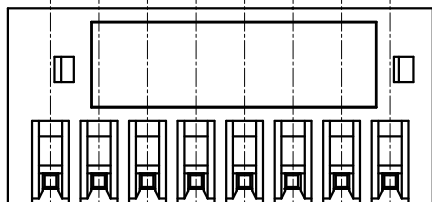


REVISION RECORD				
REV	ECN	DESCRIPTION	DRFT	DATE

8P and 8P following no reinforcement.



NOTES1:

UL Standard

1. Rated voltage/current : 150V / 4A
2. Withstanding voltage : AC1300V/1Min.

IEC Standard

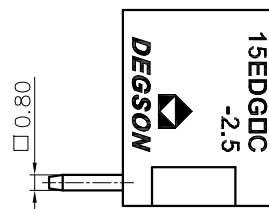
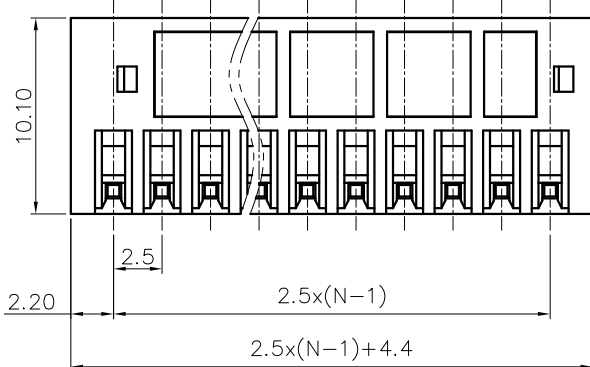
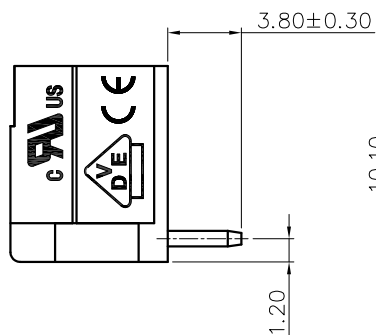
1. Pollution degree	2
Overvoltage category	II
Rate impulse voltage(KV)	2.5KV
Rate voltage(V)	250V
Rate current(A)	5A

NOTES2:

1. Dimension shall be interpreted per ASME Y14.5-2009
2. Pitch : 2.5mm, Poles : N=02~12P
3. Operating temperature: -40°C~+105°C
4. Un dimensioned tolerances:

Pitch range in mm	Nominal dimension range in mm				0.1/10		
	Over 6 TO 10	Over 10 TO 24	Over 30 TO 60	Over 60 TO 150			
±0.15	±0.20	±0.30	±0.50	±0.70	±1.00	±1.30	±2*

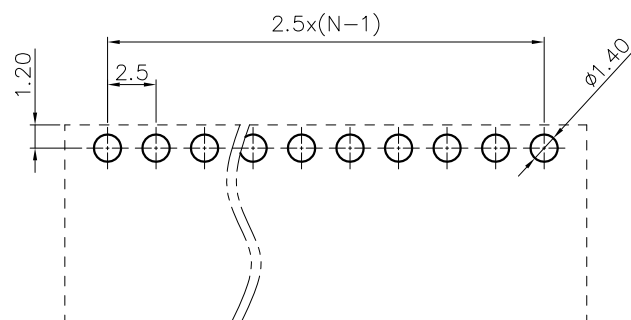
5. RoHS Compliance



15EDGRC - 2.5 - XXP - 1Y - 00A (H)

(Series No.) (Pitch) (Poles) (Color): 1.(Grey)  
2.(Blue)  
3.(Black)  
4.(Green)  
5.(Orange)  
6.(Red)  
7.(Transparent)  
8.(Yellow)  
9.(White)

(RoHS)  
00A--(Standard)  
(Single Pitch)



DETACHED LISTS	PART NO.:	宁波高松电子有限公司 NINGBO DEGSON ELECTRICAL CO., LTD			
	APPD:	NAME: 15EDGRC-2.5-XXP-1Y-00A(H)			
	CHKD:	TITLE: CUSTOMER DRAWING		REV	DO
	DRFT:	DRAWING NO.:		SHEET	1/1
THIRD ANGLE PROJECTION		DRAWING NO.: / DO NOT SCALE DRAWING		SCALE	1:1