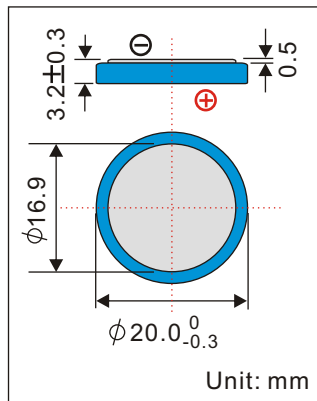


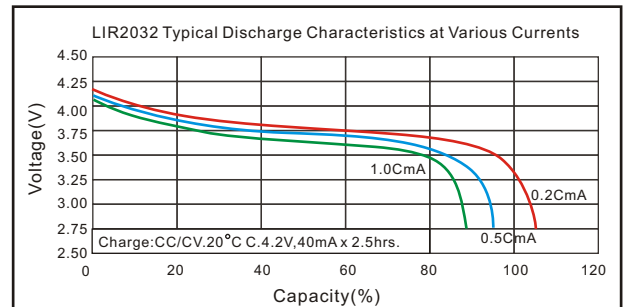
# LIR2032 *Brief datasheet*

## Lithium Ion Battery

### 1 Dimension



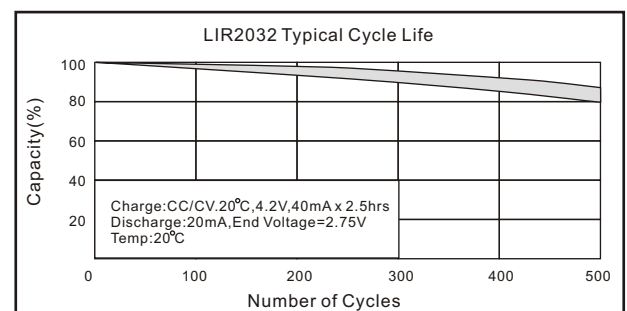
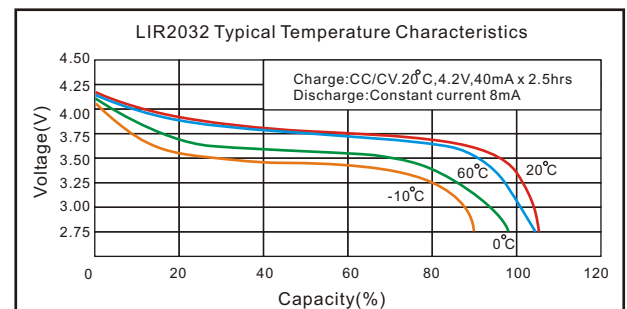
### 3 Electrical Characteristics



### 2 Basic Specification

Nominal Voltage	3.6V	
Nominal Capacity	Typical	45mAh
	Minimum	40mAh
Charge method	CC/CV (Constant Current-Constant Voltage) current: 0.5C Voltage: 4.2V End current: 0.02C	
Charging Voltage	4.20V	
Charging Std. Current	0.5C	
Max Current	Charge	1C
	Discharge	2C
Ambient Temperature	Std. Charge	-20°C to 45°C
	Discharge	-20°C to 60°C
	Storage	-20°C to 60°C
Discharge cut-off voltage	2.75V	
Internal Impedance	≤600 mΩ	
Cycle life	>500cycles(≥80% capacity)	
Nominal Weight	Approx.3.1g	

\*1C = 1 Capacity



Note: Any representations in this brochure concerning performance, are for informational purposes only and are not construed as warranties either expressed or implied, of future performance.