



**DC COMPONENTS CO., LTD.**  
RECTIFIER SPECIALISTS

**SS22  
THRU  
SS28**

**TECHNICAL SPECIFICATIONS OF SURFACE MOUNT SCHOTTKY BARRIER RECTIFIER**  
VOLTAGE RANGE - 20 to 80 Volts CURRENT - 2.0 Amperes

**FEATURES**

- \* Ideal for surface mounted applications
- \* Low leakage current
- \* Glass passivated junction

**MECHANICAL DATA**

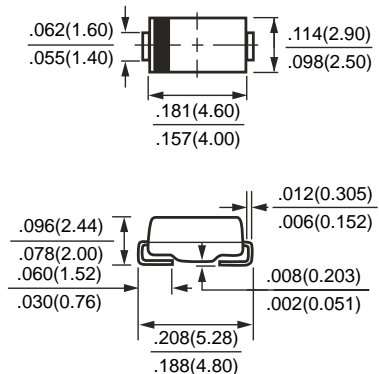
- \* Case: Molded plastic
- \* Epoxy: UL 94V-0 rate flame retardant
- \* Terminals: Solder plated solderable per MIL-STD-750, Method 2026
- \* Polarity: As marked
- \* Mounting position: Any
- \* Weight: 0.064 gram

**MAXIMUM RATINGS AND ELECTRICAL CHARACTERISTICS**

Ratings at 25 °C ambient temperature unless otherwise specified.  
Single phase, half wave, 60 Hz, resistive or inductive load.  
For capacitive load, derate current by 20%.



SMA(DO-214AC)



Dimensions in inches and (millimeters)

	SYMBOL	SS22	SS23	SS24	SS25	SS26	SS28	UNITS
Maximum Recurrent Peak Reverse Voltage	VRRM	20	30	40	50	60	80	Volts
Maximum RMS Voltage	VRMS	14	21	28	35	42	56	Volts
Maximum DC Blocking Voltage	Vdc	20	30	40	50	60	80	Volts
Maximum Average Forward Rectified Current at Derating Lead Temperature	IO	2.0						Amps
Peak Forward Surge Current 8.3 ms single half sine-wave superimposed on rated load (JEDEC Method)	IFSM	50						Amps
Maximum Instantaneous Forward Voltage at 2.0A DC	VF	0.55		0.70		0.85		Volts
Maximum DC Reverse Current at Rated DC Blocking Voltage	IR	@TA = 25°C						mAmps
		@TA = 100°C						
Typical Thermal Resistance	RθJA	95						°C/W
Typical Junction Capacitance (Note 1)	Cj	130						pF
Operating Temperature Range	TJ	-55 to +125						°C
Storage Temperature Range	TSTG	-55 to +150						°C

NOTES : 1. Measured at 1 MHz and applied reverse voltage of 4.0 volts.