

# 14mm Snap-in Insulated Potentiometers

**RK1411G**

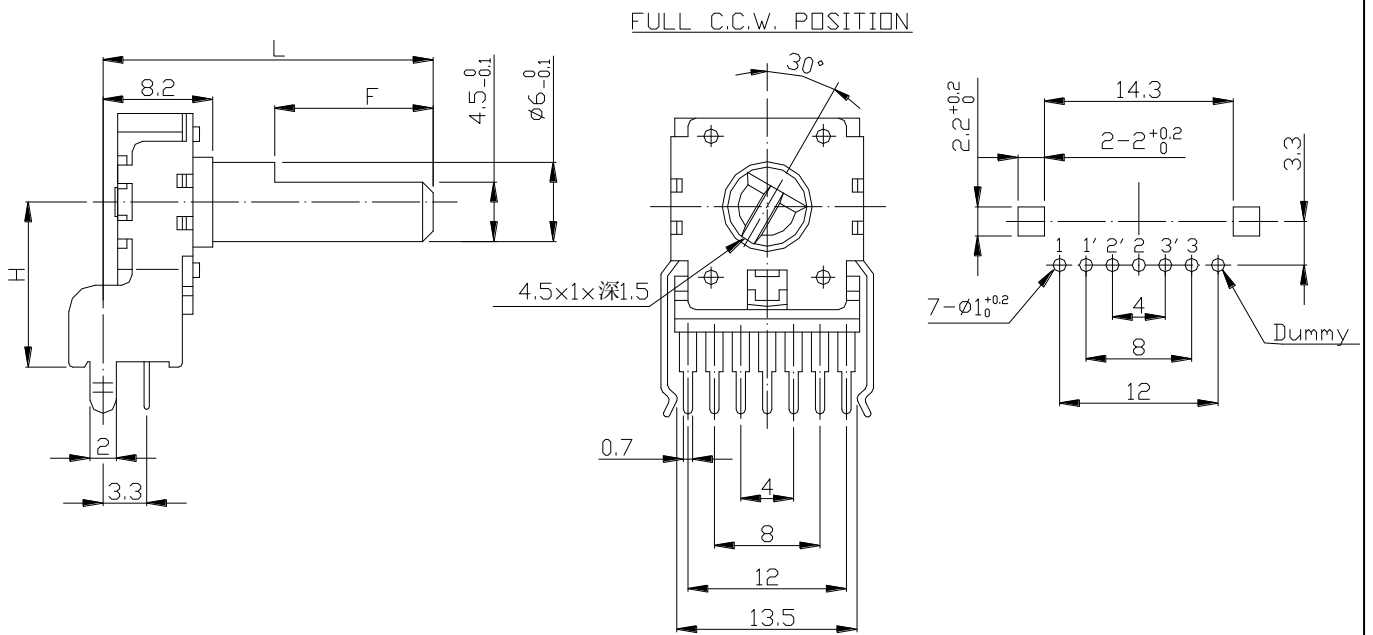


**Part Number**

**RK1411G – B 50K , L- 20 F /H=10**

Taper  
 Resistance value  
 Shaft Length  
 Shaft Type  
 High

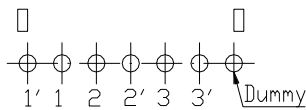
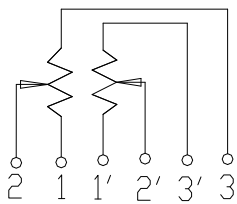
## Dimensions



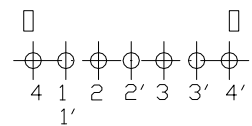
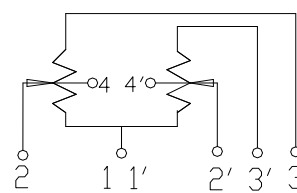
<b>H</b>	<b>10</b>	<b>12.5</b>
----------	-----------	-------------

## Circuit Explanation

**Single Standard**



**Single Center TAP**





## 14mm Snap-in Insulated Potentiometers

### General

Operating temperature	-10 °C ~ +70 °C
Manual soldering	300 °C Max 3sec

### Electrical Characteristics

Total resistance	5K $\Omega$ ~ 500K $\Omega$
Resistance tolerance	$\pm 20\%$
Resistance taper	A B C
Sliding noise	Less than 80 mV
Residual resistance	Term. 1~2 :Less than 20 $\Omega$ Term. 2~3 :Less than 40 $\Omega$
Insulation resistance	More than 100M $\Omega$ at DC 250V
Rated power(W)	0.05W
Max. Operating voltage	AC 50V (for AC only)
Withstand voltage	1 Minute at AC 300 V
Gang error	0 ~ -40dB $\leq$ 3 dB

### Mechanical Characteristics

Total rotational angle	300° $\pm$ 5°
Rotational torque	30 ~ 200 gf.cm
Shaft push-pull strength	8Kgf. Max
Rotational stopper strength	6Kgf.cm Min
Rotational life	15,000 Cycles.