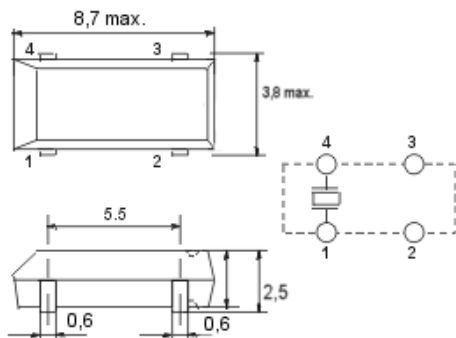


# QUARTZ CRYSTALS

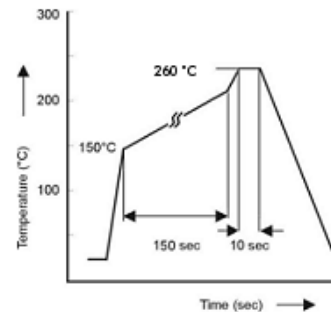
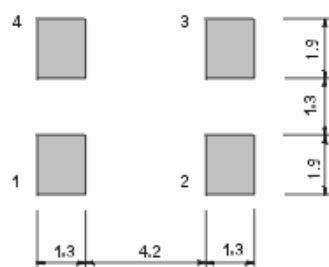
32,768 kHz

SMD-version

model	KX - 327S
frequency	32,768 kHz
operating temperature	standard -20° ~ +70°C available -40° ~ +85°C (= KX-327ST)
frequency tolerance at +25°C	± 30 ppm standard ± 20 ppm available
temperature tolerance at -20° ~ +70°C -40° ~ +85°C	-0,034 ±0,006 ppm/°C <sup>2</sup> typ., -0,042 ppm/°C <sup>2</sup> max.
load capacitance C <sub>L</sub>	12,5 pF
series resonance R <sub>1</sub> max.	50k Ohm
aging ( first year )	± 5 ppm
shunt capacitance C <sub>0</sub> max.	2 pF
drive level in mW max.	0,001
RoHS	started from date code May, 2005
contents of reel	3000 pcs.
part no.	12.87110 ~ 12.87149



**SUGGESTED SOLDERING PAD**



**soldering condition**

