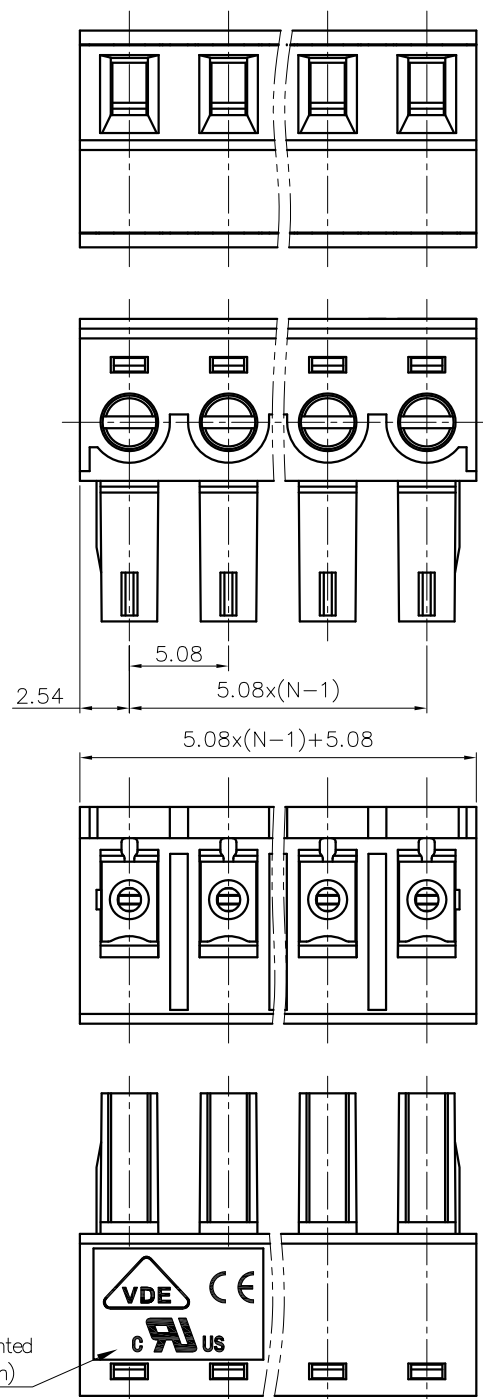
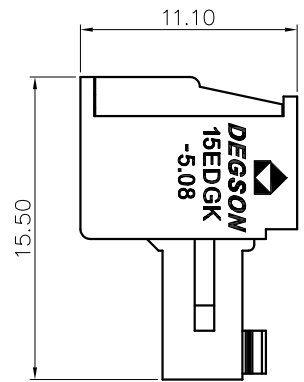


REVISION RECORD				
REV	ECN	DESCRIPTION	DRFT	DATE



NOTES1:

- UL Standard
1. Rated voltage/current : 300V / 8A
 2. Withstanding voltage : AC1600V/1Min.
 3. Torque value : M2 , 1.77Lb.in
 4. Wire range : 28~16AWG

IEC Standard

1. Pollution degree	2
Overvoltage category	II
Rate impulse voltage(KV)	4.0KV
Rate voltage(V)	450V
Rate current(A)	7A

2. Torque value : M2 , 0.2N·m
3. Wire range : 0.5~1.5mm²

NOTES2:

1. Dimension shall be interpreted per ASME Y14.5-2009
2. Pitch : 5.08mm, Poles : N=02~12P
3. Stripping length : 6~7mm
4. Operating temperature: -40°C~+105°C
5. Undimensioned tolerances:

Pitch range in mm		Nominal dimension range in mm				Tolerance	
To	Over	To	Over	To	Over	0.1/10	
6	10	6	30	60	100	150	<
10	24	30	60	100	150		±0.15
							±0.20
							±0.30
							±0.50
							±0.70
							±1.00
							±1.30
							±2'

6. RoHS Compliance

15EDGK - 5.08 - XXP - 1Y - 00A (H)
 (Series No.) (Pitch) (Poles) (Single Pitch) (Color) (RoHS)
 00A-(Standard)
 (Color): 1.(Grey) 2.(Blue) 3.(Black) 4.(Green) 5.(Orange) 6.(Red) 7.(Transparent) 8.(Yellow) 9.(White)

(Approval mark can be printed on left and right end both)

DETACHED LISTS	PART NO.:	/			
	APPD:	/			
	CHKD:	/			
	DRFT:	/			
	THIRD ANGLE PROJECTION	/			
			DRAWING NO.: /		
	DO NOT SCALE DRAWING		REV	DO	
	SCALE 1:1		SHEET	1/1	

NINGBO DEGSON ELECTRICAL CO., LTD

15EDGK-5.08-XXP-1Y-00A(H)

CUSTOMER DRAWING

MM (INCH)

DO NOT SCALE DRAWING

SCALE 1:1