



**TDA2003**

**LINEAR INTEGRATED CIRCUIT**

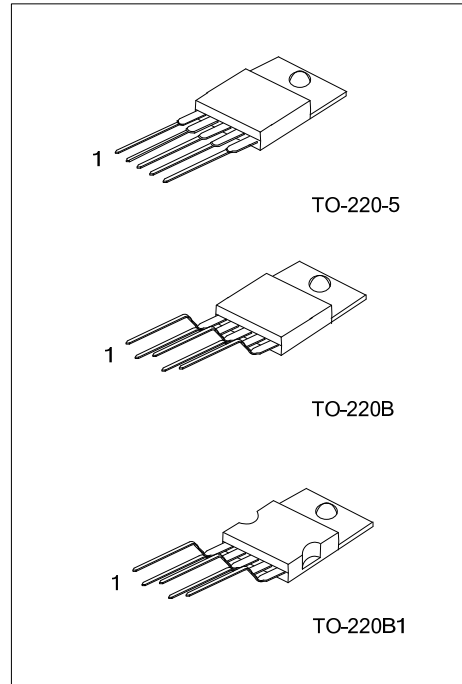
**10W CAR RADIO AUDIO AMPLIFIER**

■ **DESCRIPTION**

The UTC **TDA2003** is a monolithic audio power amplifier integrated circuit.

■ **FEATURES**

- \*Very Low External Component Required.
- \*High Current Output ( up to 3 A).
- \*Low Harmonic and Crossover Distortion.
- \*Built-in Over Temperature Protection.
- \*Short Circuit Protection Between all Pins.

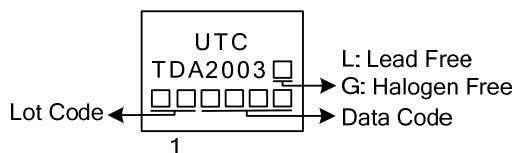


■ **ORDERING INFORMATION**

Ordering Number		Package	Packing
Lead Free	Halogen Free		
TDA2003L-TA5-T	TDA2003G-TA5-T	TO-220-5	Tube
TDA2003L-TB5-T	TDA2003G-TB5-T	TO-220B	Tube
TDA2003L-TB51-T	TDA2003G-TB51-T	TO-220B1	Tube

<p>TDA2003L-TA5-T</p>	<p>(1) T: Tube                  (2) TA5: TO-220-5, TB5: TO-220B, TB51: TO-220B1                  (3) L: Lead Free, G: Halogen Free and Lead Free</p>
-----------------------	--

■ **MARKING**





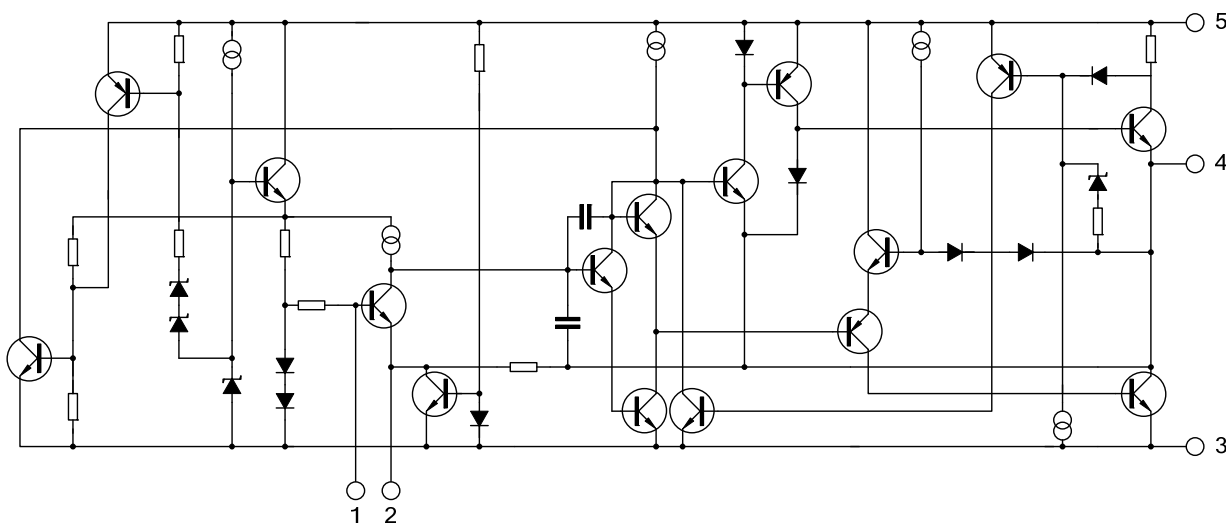
# TDA2003

## LINEAR INTEGRATED CIRCUIT

### PIN DESCRIPTION

PIN NO.	PIN NAME
1	Non inverting input
2	Inverting input
3	Ground
4	Output
5	Supply Voltage

### BLOCK DIAGRAM



■ ABSOLUTE MAXIMUM RATINGS ( $T_A=25^\circ\text{C}$ , unless otherwise specified)

PARAMETER	SYMBOL	RATINGS	UNIT
Peak Supply Voltage	$V_{SS}$	40	V
DC Supply Voltage	$V_{SS}$	28	V
Operating Supply Voltage	$V_{SS}$	18	V
Output Peak Current	Repetitive	3.5	A
	Non Repetitive	4.5	A
Power Dissipation at $T_C=90^\circ\text{C}$	$P_D$	20	W
Storage and Junction Temperature	$T_{STG}$	-40 ~ +150	$^\circ\text{C}$

Note: Absolute maximum ratings are those values beyond which the device could be permanently damaged. Absolute maximum ratings are stress ratings only and functional device operation is not implied.

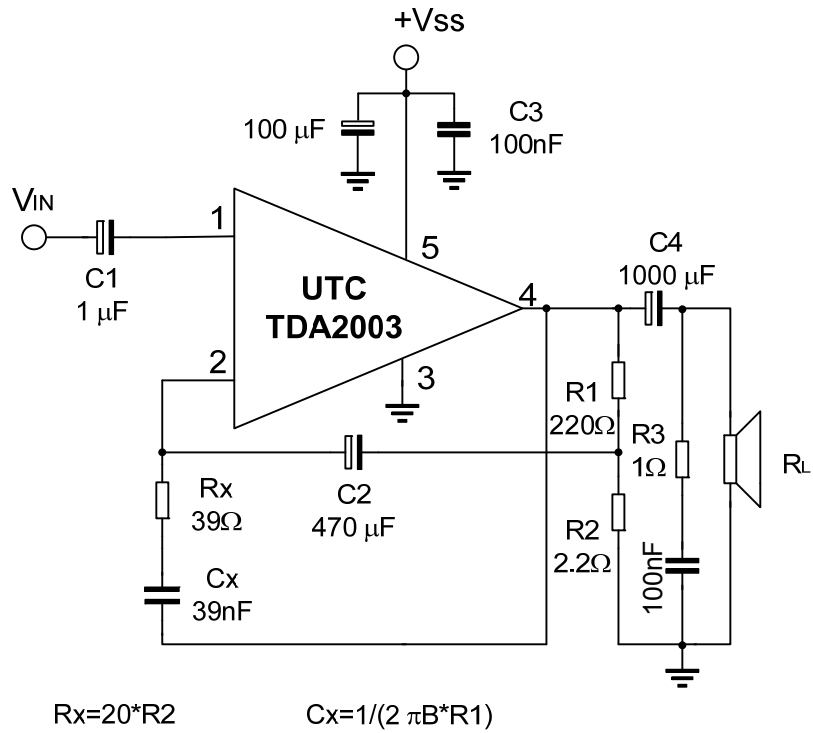
■ ELECTRICAL CHARACTERISTICS

( $T_A=25^\circ\text{C}$ , Refer to the test circuit,  $V_S=16\text{V}$ , unless otherwise specified.)

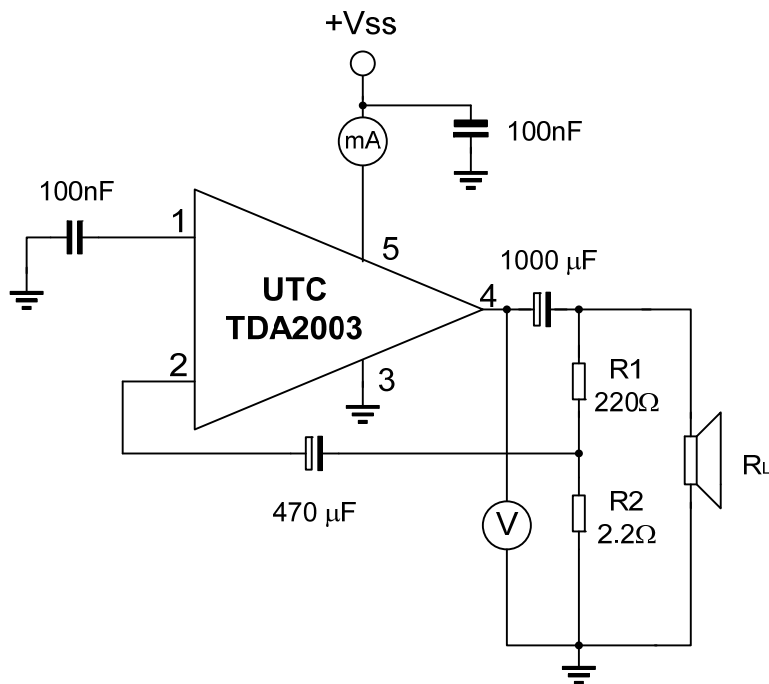
PARAMETER	SYMBOL	TEST CONDITIONS	MIN	TYP	MAX	UNIT	
<b>DC CHARACTERISTICS</b>							
Supply Voltage	$V_{SS}$		8		18	V	
Quiescent Output Voltage	$V_{OUT}$		6.1	6.9	7.7	V	
Quiescent Drain Current	$I_D$			44	50	mA	
<b>AC CHARACTERISTICS</b>							
Output Power	$P_{OUT}$	THD=10%, f=1kHz	$R_L=4\Omega$	5.5	6		W
			$R_L=2\Omega$	9	10		
			$R_L=3.2\Omega$		7.5		
			$R_L=1.6\Omega$		12		
Input Sensitivity	$V_I$	f=1kHz	$P_{OUT}=0.5\text{W}, R_L=4\Omega$		14		mV
			$P_{OUT}=6\text{W}, R_L=4\Omega$		55		
			$P_{OUT}=0.5\text{W}, R_L=2\Omega$		10		
			$P_{OUT}=10\text{W}, R_L=2\Omega$		50		
Input Saturation Voltage	$V_{I(RMS)}$		300			mV	
Frequency Response(-3dB)	F	$P_{OUT}=1\text{W}, R_L=4\Omega$	40		15000	Hz	
Total Harmonic Distortion	THD	f=1kHz	$P_{OUT}=0.05 \sim 4.5\text{W}, R_L=4\Omega$		0.15		%
			$P_{OUT}=0.05 \sim 7.5\text{W}, R_L=2\Omega$		0.15		
Input Resistance(Pin 1)	$R_I$	Open Loop, f=1kHz	70	150		k $\Omega$	
Input Noise Current	iN			60	200	pA	
Input Noise Voltage	eN			1	5	$\mu\text{V}$	
Open Loop Voltage Gain	$G_{vo}$	f=1kHz		80		dB	
		f=10kHz		60		dB	
Closed Loop Voltage Gain	$G_{vc}$	f=1kHz, $R_L=4\Omega$	39.3	40	40.3	dB	
Efficiency, f=1kHz	$\eta$	$P_{OUT}=6\text{W}, R_L=4\Omega$		69		%	
		$P_{OUT}=10\text{W}, R_L=2\Omega$		65			
Supply Voltage Rejection	SVR	f=100Hz, $V_{RUPPLE}=0.5\text{V}$ $R_G=10\text{k}\Omega, R_L=4\Omega$	30	36		dB	

## ■ TEST CIRCUIT

### AC Test Circuit



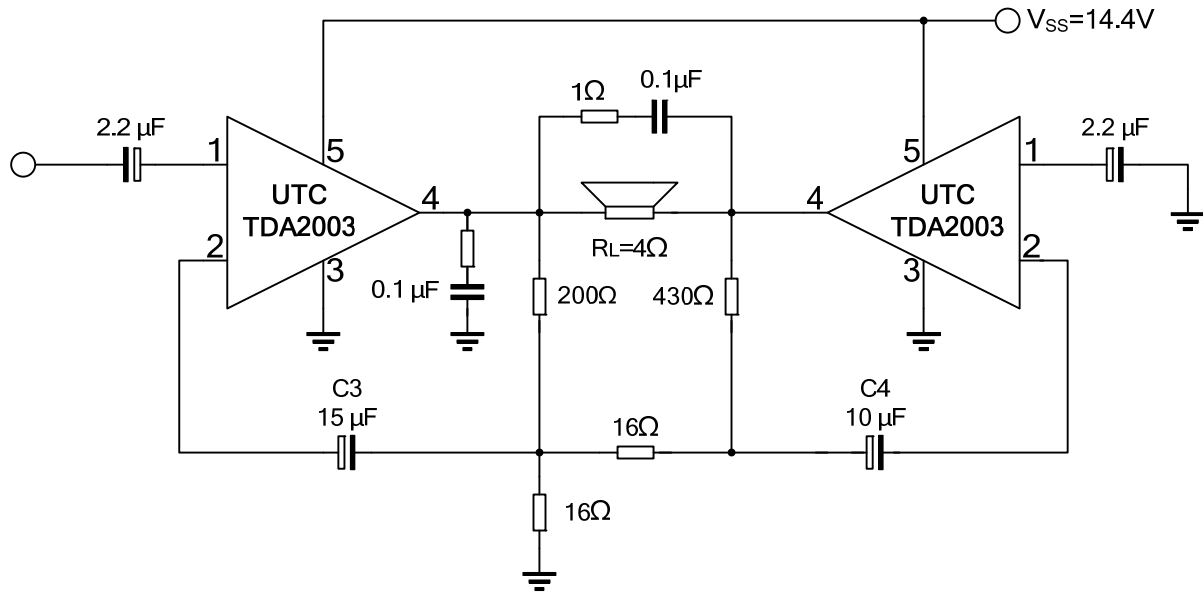
### DC Test Circuit



## ■ TYPICAL APPLICATION CIRCUIT

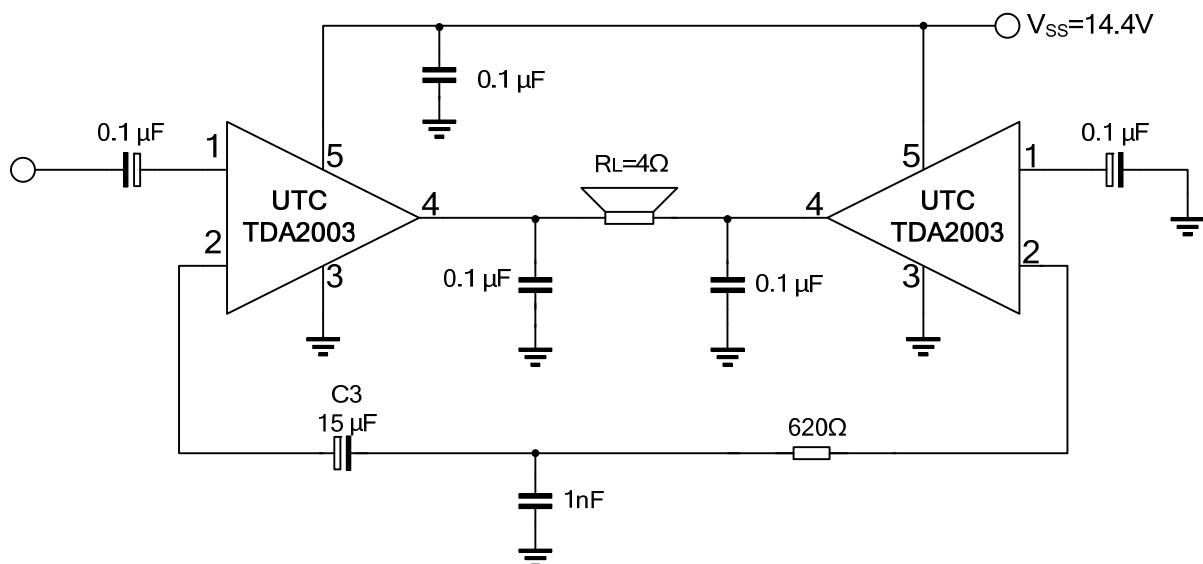
### 20W Bridge Configuration Application

The Values of the capacitors C3 and C4 are different to optimize the SVR (Typ. 40dB)



## ■ TYPICAL APPLICATION CIRCUIT

### Low Cost Bridge Configuration Application Circuit( $P_{OUT}=18W$ )



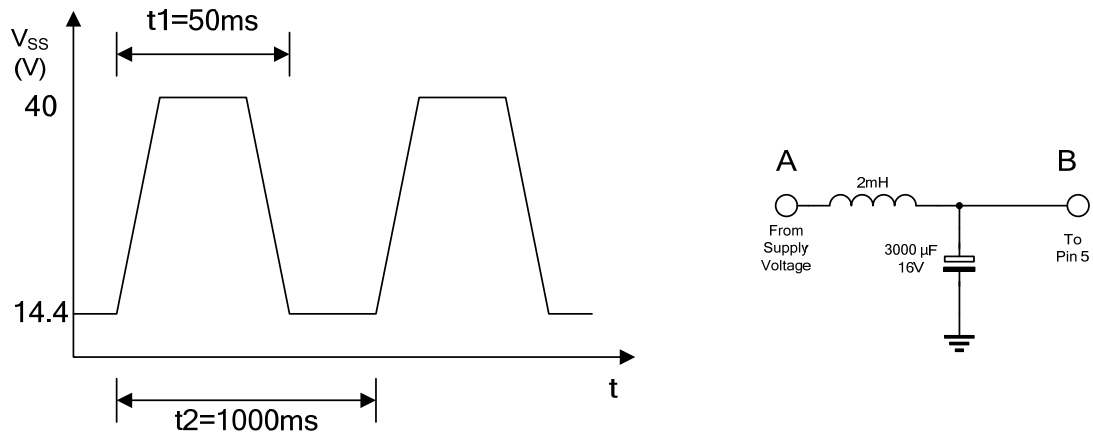
## ■ BUILT-IN PROTECTION SYSTEMS

### LOAD DUMP VOLTAGE SURGE

The UTC **TDA2003** has a circuit which enables it to withstand a voltage pulse train, on pin 5.

If the supply voltage peaks to more than 40V, then an LC filter must be inserted between the supply and pin 5, in order to assure that the pulses at pin 5 will be held within the limits.

A suggested LC network. With this network, a train of pulses with amplitude up to 120V and width of 2ms can be applied at point A. This type of protection is ON when the supply voltage (pulsed or DC) exceeds 18V. For this reason the maximum operating supply voltage is 18V.



### SHORT CIRCUIT (AC and DC Conditions)

The UTC **TDA2003** can withstand a permanent short-circuit on the output for a supply voltage up to 16V.

### POLARITY INVERSION

High current (up to 5A) can be handled by the device with no damage for a longer period than the blow-out time of a quick 1A fuse (normally connected in series with the supply).

The feature is added to avoid destruction if, during fitting to the car, a mistake on connection of the supply is made.

### OPEN GROUND

When the radio is in the ON condition and the ground is accidentally opened, a standard audio amplifier will be damaged. On the UTC **TDA2003** protection diodes are included to avoid any damage.

### INDUCTIVE LOAD

A protection diode is provided between pin 4 and pin 5 (see the internal schematic diagram) to allow use of the UTC **TDA2003** with inductive loads. In particular, the UTC **TDA2003** can drive a coupling transformer for audio modulation.

### DC VOLTAGE

The maximum operating DC voltage on the UTC **TDA2003** is 18V.

However the device can withstand a DC voltage up to 28V with no damage. This could occur during winter if two batteries were series connected to crank the engine.

### THERMAL SHUT-DOWN

The presence of a thermal limiting circuit offers the following advantages:

- (1) An overload on the output (even if it is permanent), or an excessive ambient temperature can be easily withstood.
- (2) The heat-sink can have a smaller factor compared with that of a conventional circuit. There is no device damage in case of excessive junction temperature: all that happens is that  $P_o$  (and therefore  $P_D$ ) and  $I_d$  are reduced.

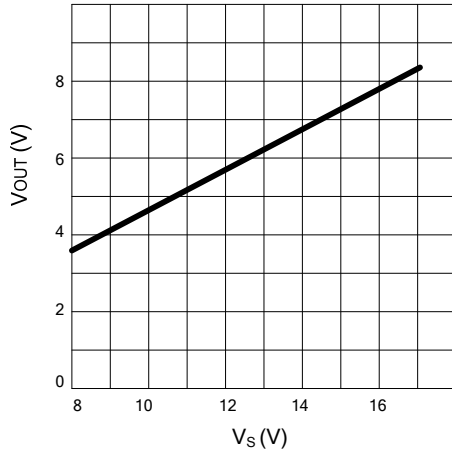
■ COMPONENTS USAGE SUGGESTION

The recommended values of the components are those shown on typical application circuit. Different values can be used. The following table can help the designer.

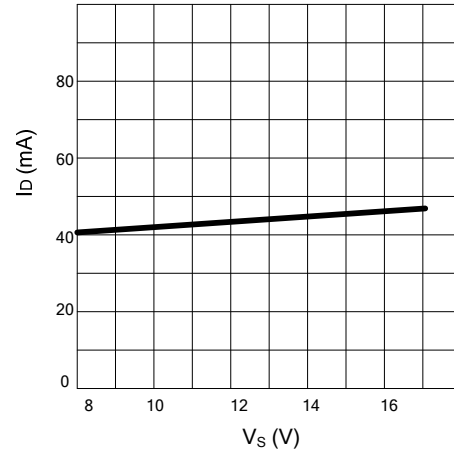
COMPONENT	RECOMMENDED VALUE	PURPOSE	LARGE THAN RECOMMENDED VALUE	SMALLER THAN RECOMMENDED VALUE
R1	$(Gv-1) \times R2$	gain setting.		increase of drain current
R2	$2.2\Omega$	gain and SVR setting.	Decrease of SVR	
R3	$1\Omega$	Frequency stability	Danger of oscillation at high frequencies with inductive loads.	
Rx	$\approx 20R2$	Upper frequency cutoff	Poor high frequencies attenuation	Danger of oscillation
C1	$2.2\mu F$	Input DC decoupling		Noise at switch-on switch-off
C2	$470\mu F$	Ripple rejection		Decrease of SVR
C3	$0.1\mu F$	Supply voltage bypass		Danger of oscillation
C4	$1000\mu F$	Supply voltage bypass		Higher low frequency cutoff
C5	$0.1\mu F$	Frequency stability		Danger of oscillation at high frequencies with inductive loads.
Cx	$\approx 1/(2\pi \times B \times R1)$	Upper frequency cutoff	Lower bandwidth	Larger bandwidth

## TYPICAL CHARACTERISTICS

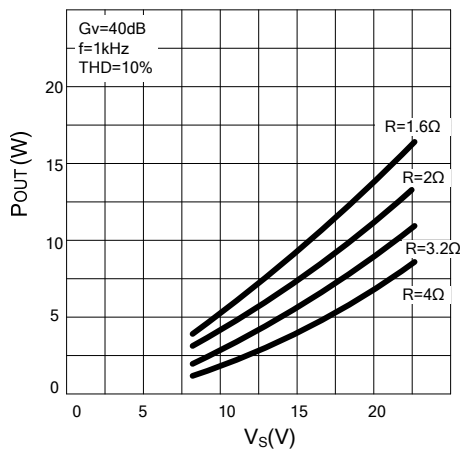
Quiescent output voltage vs. Supply voltage



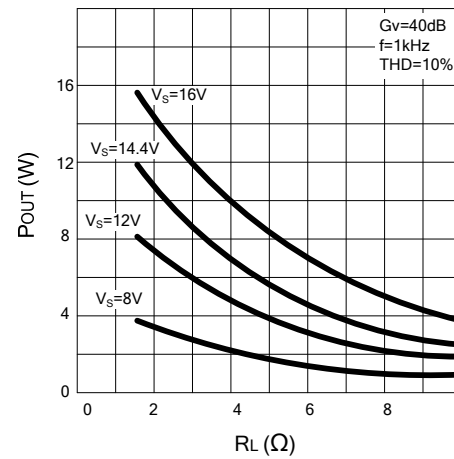
Quiescent drain current vs. Supply voltage



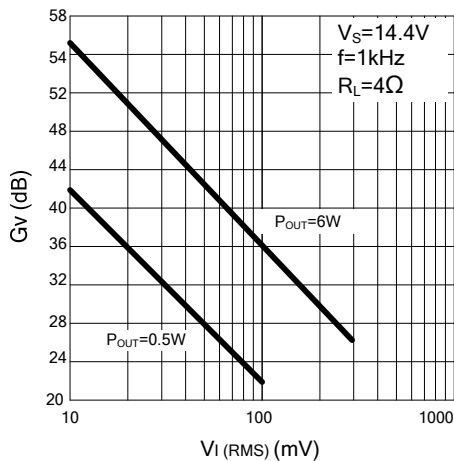
Output power vs. Supply voltage



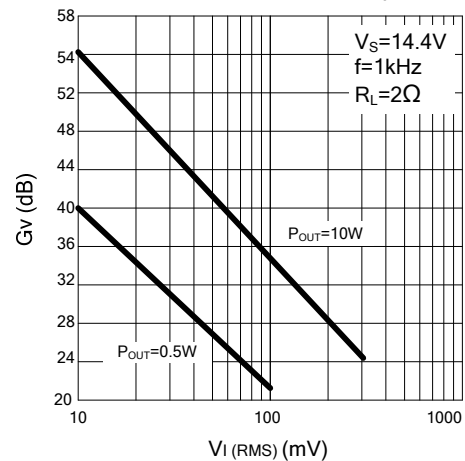
Output power vs. load resistance



Gain vs. Input sensitivity



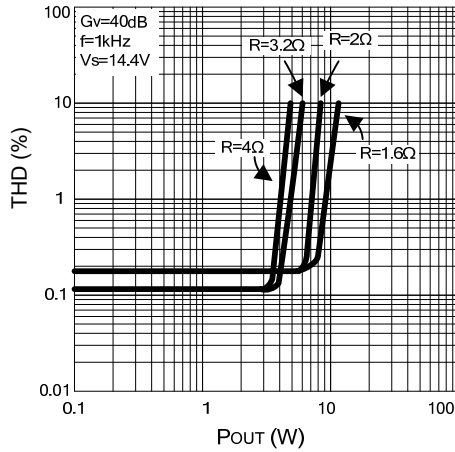
Gain vs. Input sensitivity



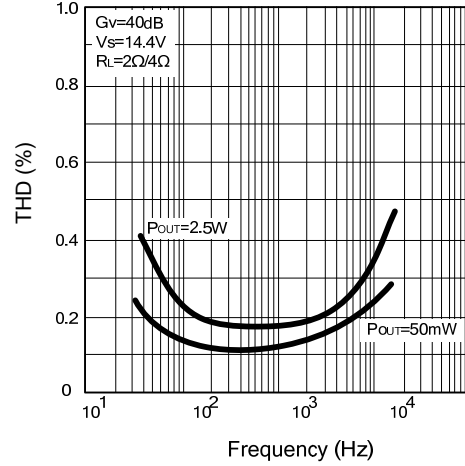


## TYPICAL CHARACTERISTICS (Cont.)

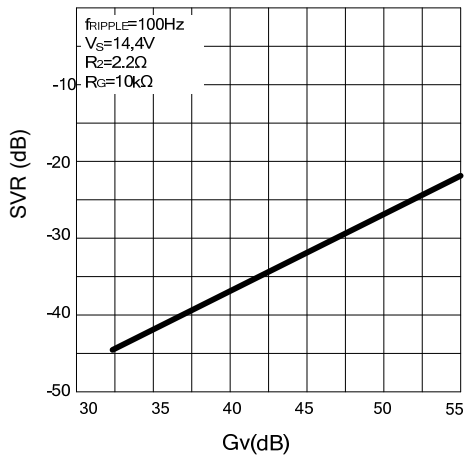
Distortion vs. output power



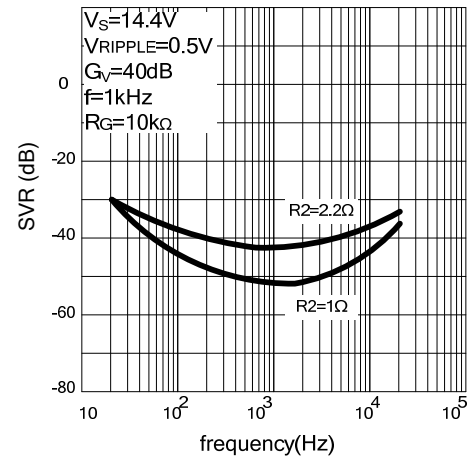
Distortion vs. frequency



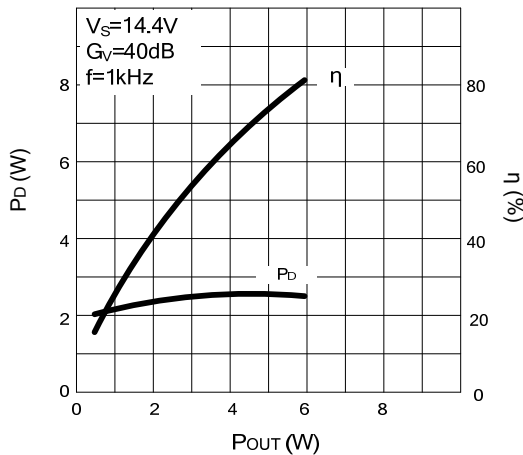
Supply voltage rejection vs. voltage gain



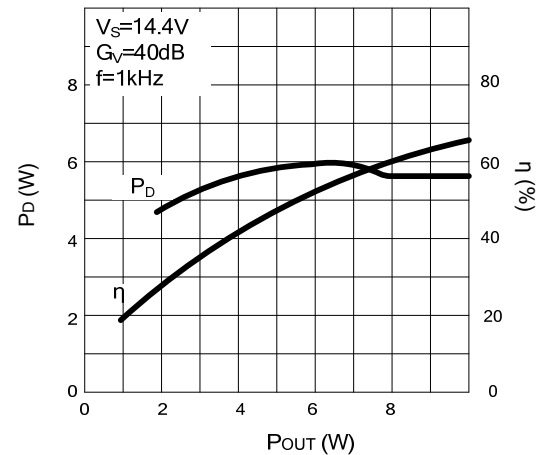
Supply voltage rejection vs. frequency



Power dissipation and efficiency vs. output power (R<sub>L</sub>=4Ω)

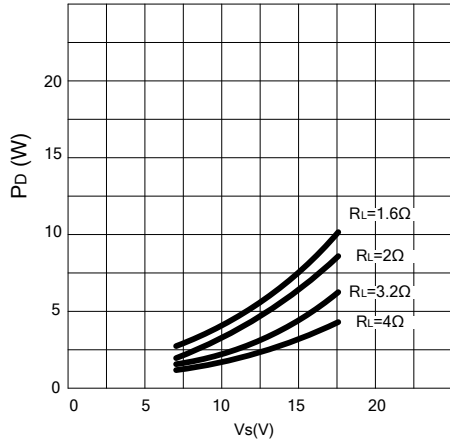


Power dissipation and efficiency vs. output power (R<sub>L</sub>=2Ω)

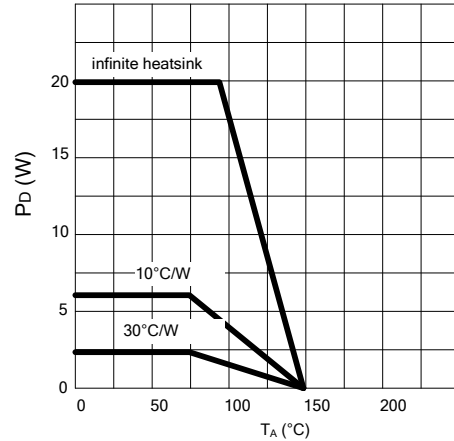


## ■ TYPICAL CHARACTERISTICS (Cont.)

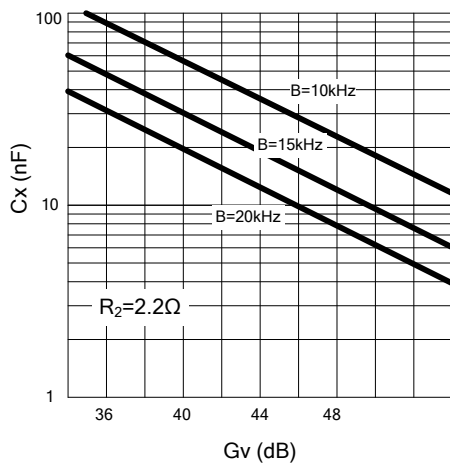
Maximum Power dissipation and supply voltage(sine wave operation)



Maximum allowable dissipation and ambient temperature



Typical values of capacitor(Cx) for different values of frequency response



UTC assumes no responsibility for equipment failures that result from using products at values that exceed, even momentarily, rated values (such as maximum ratings, operating condition ranges, or other parameters) listed in products specifications of any and all UTC products described or contained herein. UTC products are not designed for use in life support appliances, devices or systems where malfunction of these products can be reasonably expected to result in personal injury. Reproduction in whole or in part is prohibited without the prior written consent of the copyright owner. The information presented in this document does not form part of any quotation or contract, is believed to be accurate and reliable and may be changed without notice.