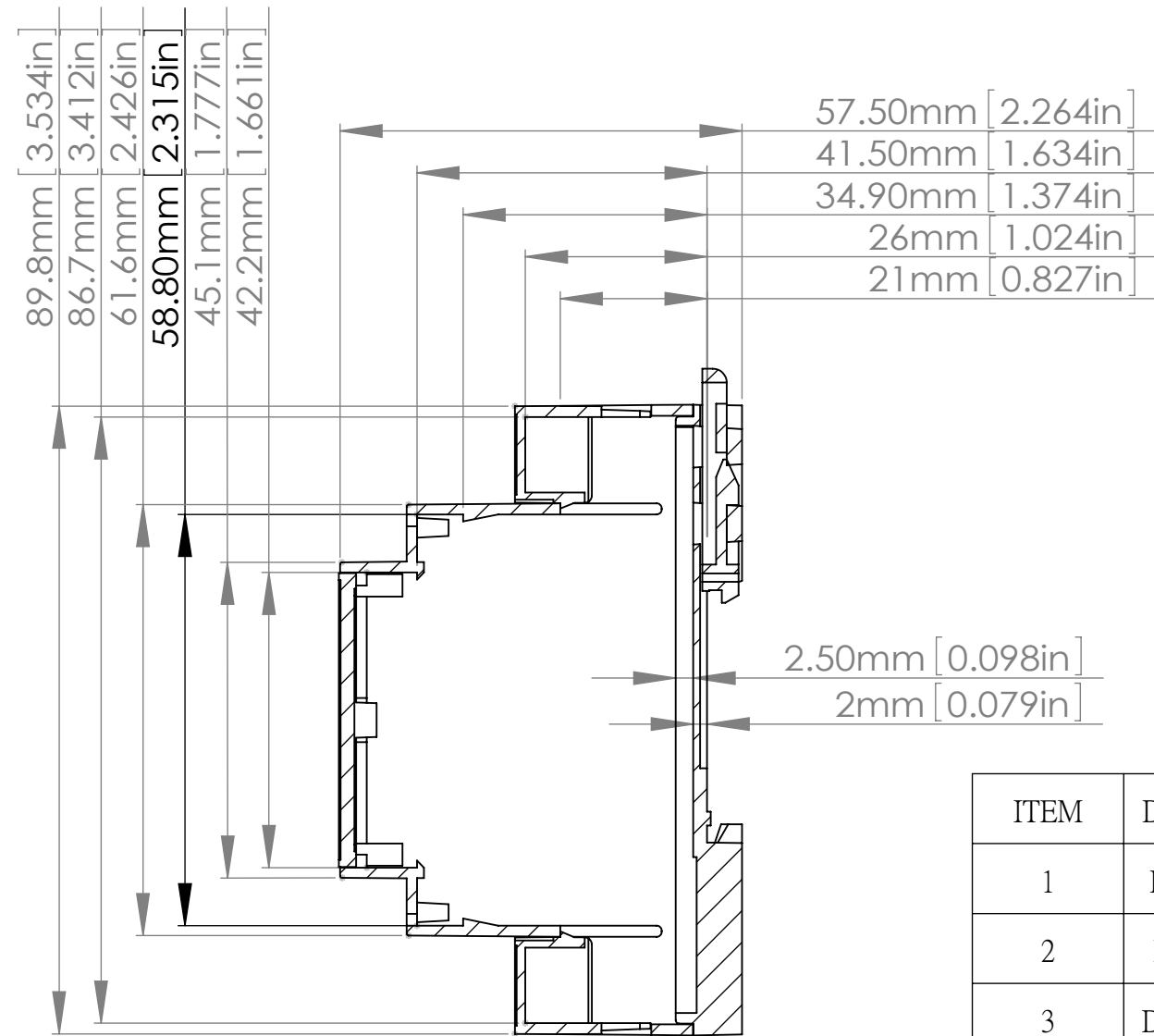
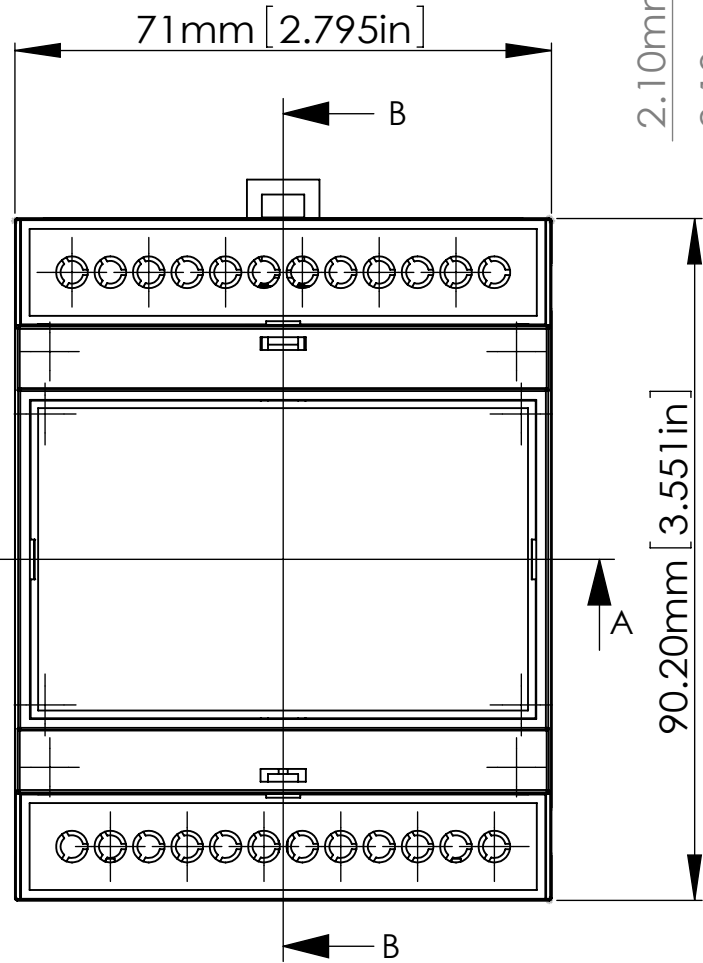
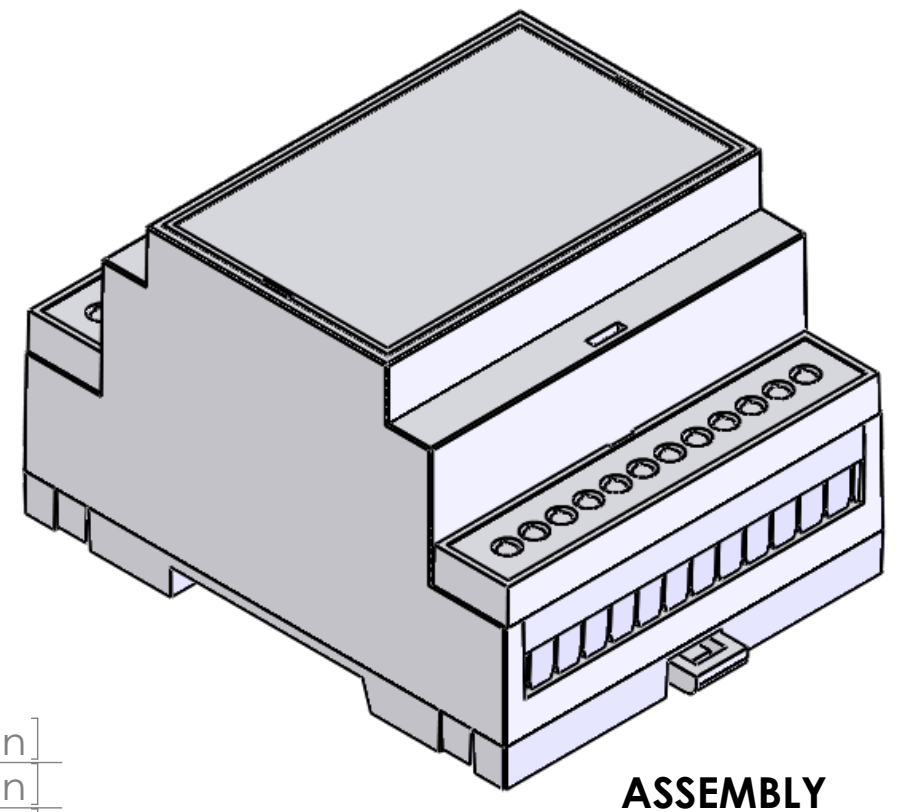


SECTION A-A
SCALE 1 : 1



SECTION B-B
SCALE 1 : 1



ASSEMBLY

ITEM	DESCRIPTION	MATERIAL	COLOUR	UNIT
1	D4MG-BODY	PC/ABS(UL94-V0)	GREY	1
2	D4MG-BASE	PC/ABS(UL94-V0)	GREY	1
3	D4MG-COVER	PC/ABS(UL94-V0)	GREY	1
4	D4MG-GUARD	PC/ABS(UL94-V0)	GREY	2
5	D4MG-WALL CLIP	NYLON66(UL94-V0)	DARK GREY	1

宣又實業有限公司
GAINTA INDUSTRIES LTD.

繪圖

DRA'D BY

JACKY

日期

DATE

2010/4/15

材質

MATE.

PC/ABS(UL94-V0);
NYLON66(UL94-V0)

圖名TITLE:

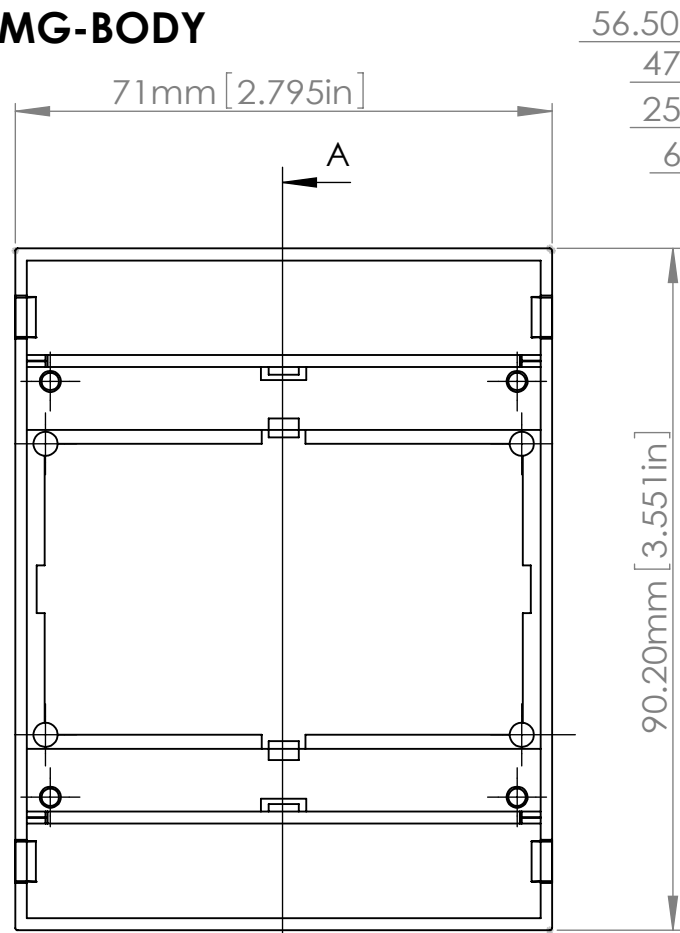
D4MG-ASSEMBLY

圖號DWG NO:

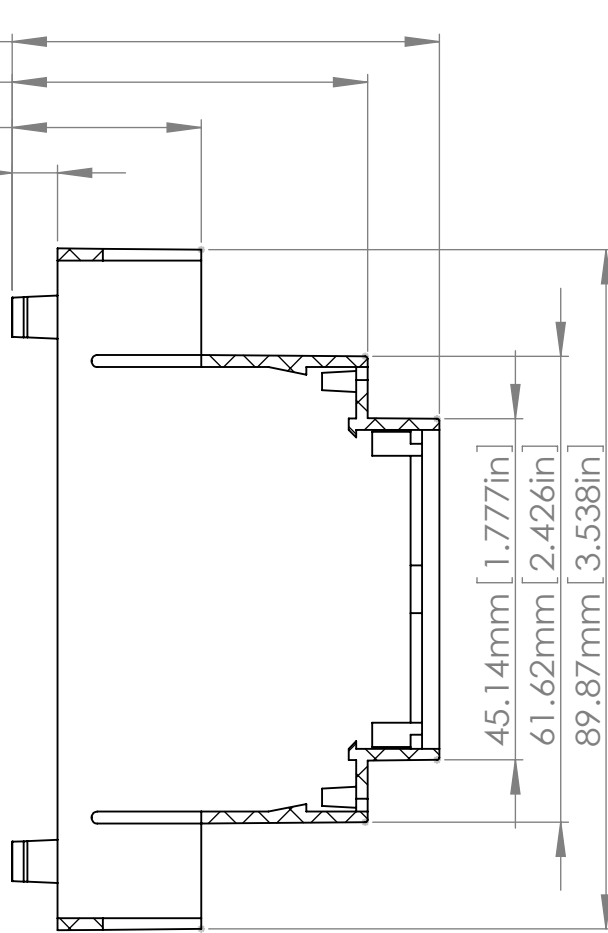
版次REVISID:

A

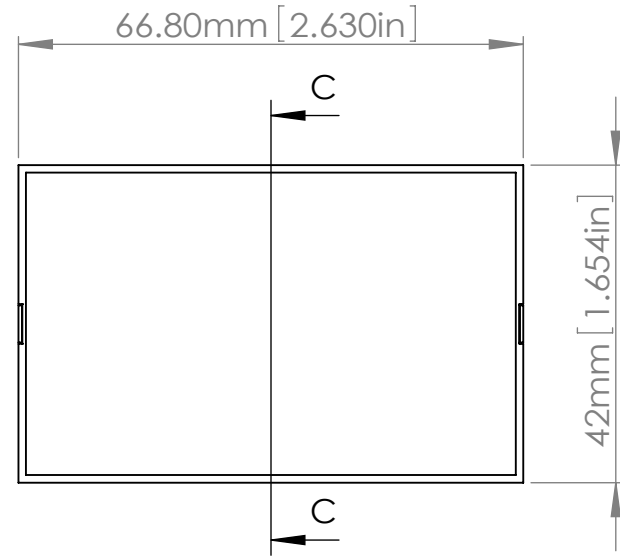
D4MG-BODY



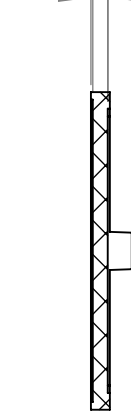
56.50mm [2.224in]
 47mm [1.850in]
 25mm [0.984in]
 6mm [0.236in]



D4MG-COVER

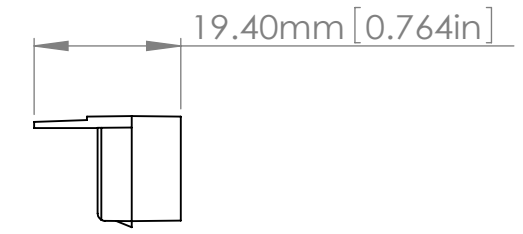
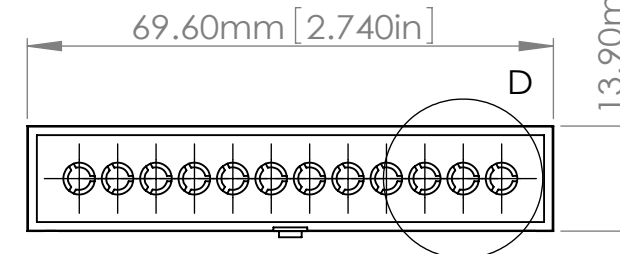


2.25mm [0.089in]
 2mm [0.079in]



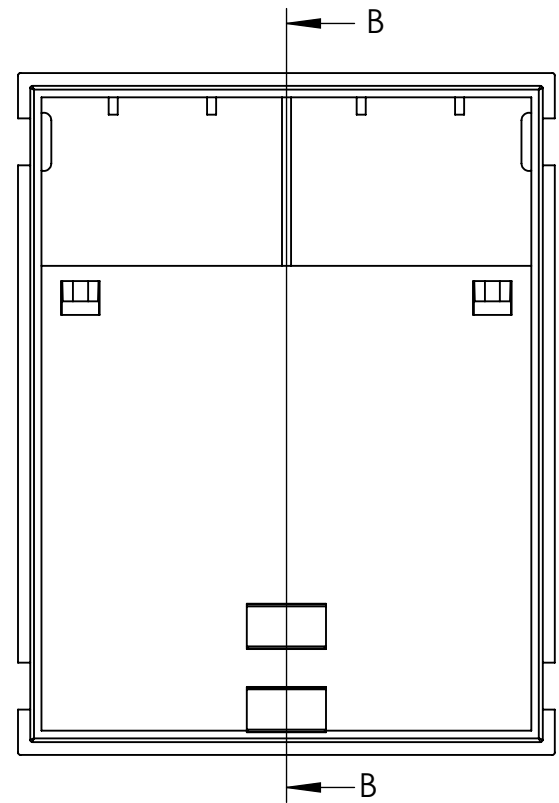
SECTION C-C
 SCALE 1:1

D4MG-GUARD

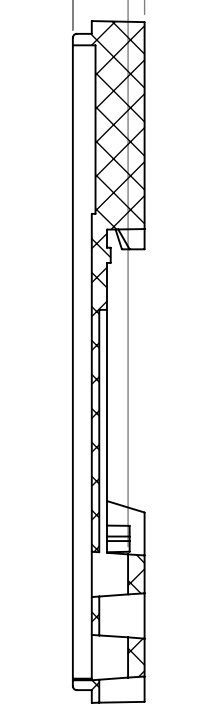


SECTION D
 SCALE 1:1

D4MG-BASE

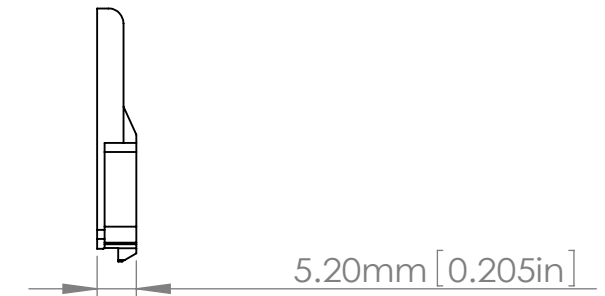
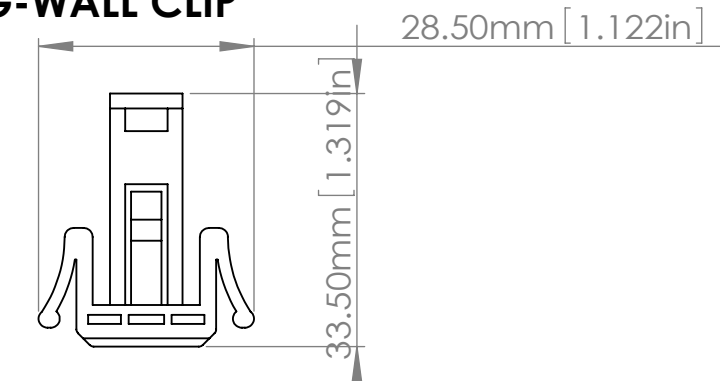


9.50mm [0.374in]
 7.30mm [0.287in]



SECTION B-B
 SCALE 1:1

D4MG-WALL CLIP



5.20mm [0.205in]

宣又實業有限公司
 GAINTA INDUSTRIES LTD.

繪圖	DRA'D BY	日期	DATE	材質	MATE.	圖名TITLE:	圖號DWG NO:	版次REVISID:
	JACKY	2010/4/15		PC/ABS(UL94-V0); NYLON66(UL94-V0)		D4MG-PART		A