



5.0mm Round Type LED Lamps

PART NO: FYL-5013UWC/R

REV NO: 1.0

PAGE: 1/2

■ Features:

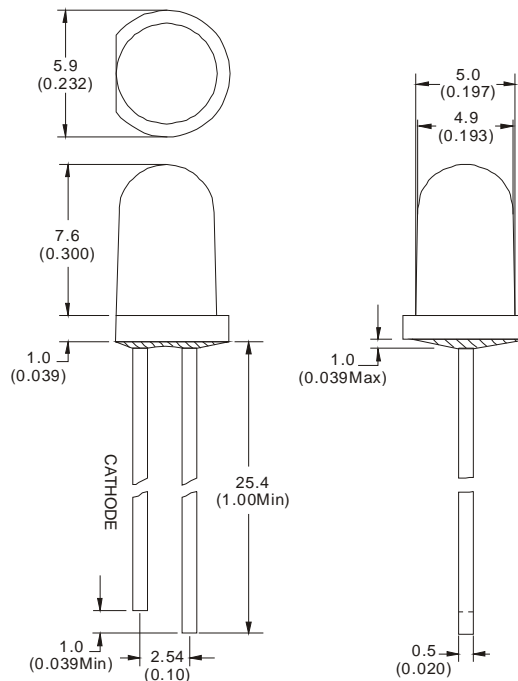
- Ultra brightness.
- Choice of various viewing angles.
- PB Free
- Popular T-1 3/4 diameter package.
- IC compatible /Low current capability.



■ Descriptions:

- The series is specially designed for applications requiring higher brightness.

■ Package Dimensions:



NOTES:

1. All dimension are in millimeters.
2. An epoxy meniscus may extend about 1.5mm down to the lead.
3. Tolerances unless dimension ± 0.25 mm.



5.0mm Round Type LED Lamps

PART NO: FYL-5013UWC/R

REV NO: 1.0

PAGE: 2/2

■ Chip and Lens Appearance

| Part No | Chip | Lens Color |
|---------------|------|-------------|
| FYL-5013UWC/R | | Water clear |

■ Absolute Maximum Ratings at Ta=25°C

| Parameter | Symbol | Rating | Unit |
|-------------------------------------------|------------------|----------------------------------------------------------------------|------|
| Forward Current | I _F | 30 | mA |
| Power Dissipation | P _d | 120 | mW |
| Reverse Voltage | V _R | 5 | V |
| Peak Forward Current (Duty 1/10 @1KHZ) | I _{PF} | 100 | mA |
| Operation Temperature | T _{OPR} | -40 to +80 | °C |
| Storage Temperature | T _{STG} | -40 to +85 | °C |
| Lead Soldering Temperature | T _{SOL} | Max.260°C for 3 sec Max. (1.60mm from the base of the epoxy bulb) | °C |

■ Electronic Optical Characteristics at Ta=25°C

| Items | Symbol | Min. | Typ. | Max. | Unit | Condition |
|--------------------------|----------------|-------|-------|-------|--------|----------------------|
| Forward Voltage | V _F | - | 3.20 | 4.00 | V | I _F =20mA |
| Reverse Current | I _R | - | - | 10 | uA | V _R =5V |
| Dominant Wavelength | λ _D | - | - | - | nm | I _F =20mA |
| Spectrum Line Half width | Δλ | - | - | - | nm | I _F =20mA |
| Luminous Intensity | I _V | 13000 | 14000 | 15000 | mcd | I _F =20mA |
| Viewing Angle | 2 θ 1/2 | - | 20 | - | degree | I _F =20mA |