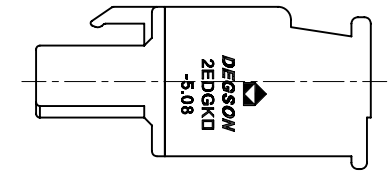
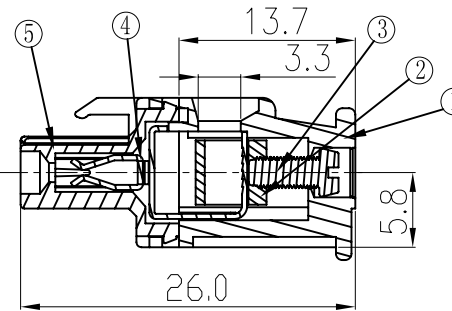
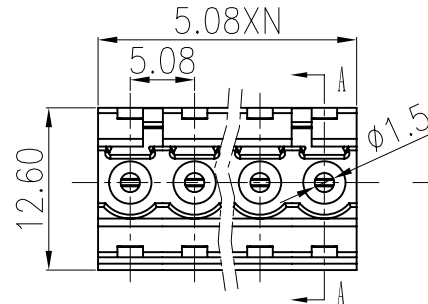
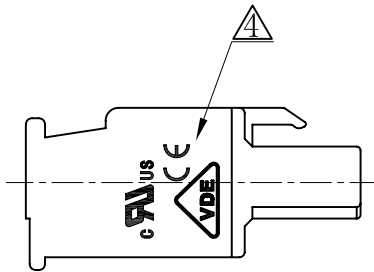
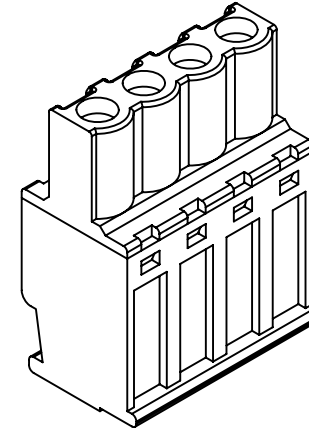
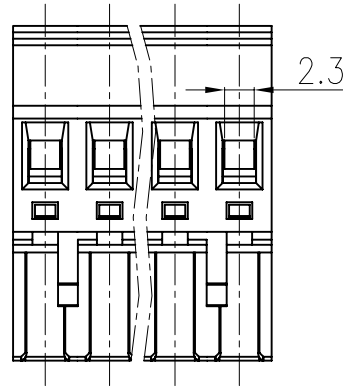


REVISION RECORD					
REV	ECO	DESCRIPTION	DRFT	DATE	
△		Drawing emend	CSX	04/18/06*	
△		工程变更	CSX	11/30/06*	
△		增加UL刻字	CSX	03/12/07*	
△		增加VDE、CE刻字	WLM	02/10/09*	



Section B-B

Notes:

- Pitch:5.08mm ,Poles:2-24P
- Rated voltage/current:UL 300V/15A  
VDE 320V/10A
- Operation temperatures:-45°C~+105°C
- Withstanding Voltage:AC2000V/1min
- Insulation Resistance:5000Ω /DC1000V
- Wire Range:28~12AWG, 2.5mm<sup>2</sup>
- Max. Torque Value:M2.5, 4.08kgf.cm
- Undimensioned Tolerances:

Pitch range in mm		Nominal dimension range in mm					
to	over	to	over	to	over	to	
6	6 to 10	30	30 to 60	60	60 to 100	100	
6	10 to 24	30	60 to 100	100	100 to 150	150	
		±0.10	±0.15	±0.25	±0.2	±0.3	
					±0.5	±0.7	
					±1.0	0.05/10	

ITEM	NAME OF PART	NO. OF PART	Q'TY	MATERIAL	NOTES
5	2EDGKA/B-5.08 (H) COVER	1028COYXXA (H)	1	PA66	UL94V-0
4	2EDGKA/B-CLAMP	1028B00010 (H)	XX	Phoshor Bronze	Ni plated
3	2EDG "—"SCREW-M2.5	S000000980 △	XX	Stell	Cr <sup>3+</sup> Zn
2	DG128 CAGE	X000000020 (H)	XX	Brass	Ni plated

ITEM	NAME OF PART	NO. OF PART	Q'TY	MATERIAL	NOTES
1	2EDGKA/B-5.08 (H) HOUSING	1028A0YXXA (H)	1	PA66	UL94V-0

DETACHED LISTS	MM (INCH)	DFTO HW	DATE 10/06/05*
	TOLERANCES EXCEPT AS NOTED	CHKD	DATE
		MFO	DATE
		APPVL	DATE
	MATERIAL :	G.E. :	
	ANGLES ± 1'	FINISH :	
	THIRD ANGLE PROJECTION	SCALE :	

<b>DEGSON</b> 宁波高正电子有限公司 DEGSON ELECTRONICS CO., LTD	
NAME <b>2EDGKA-5.08-XXP-1Y-00A(H)</b>	
DRAWING NO. 2EDGKA-5.08-E03	SIZE A3
/PART NO.	REV T4 02/12/09*
DO NOT SCALE DRAWING	SHEET 1 OF 1