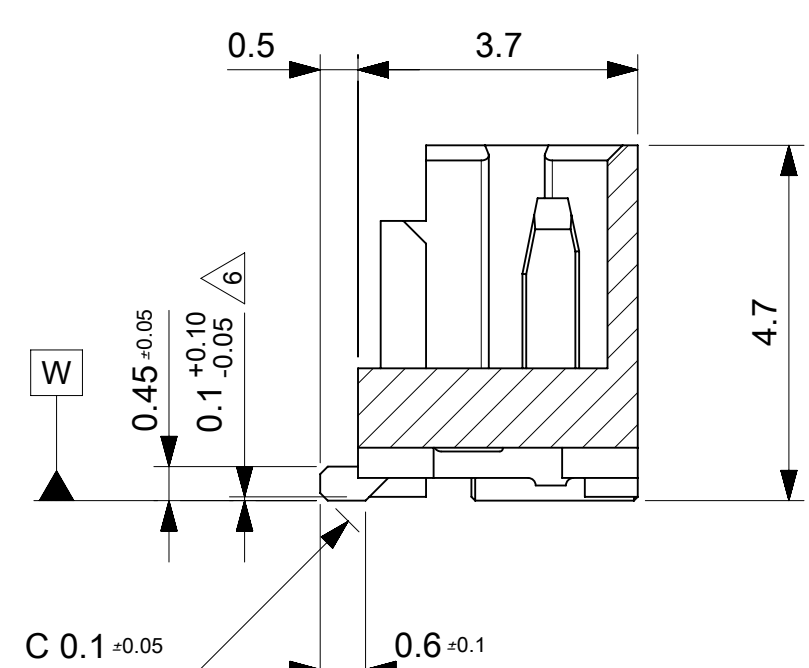
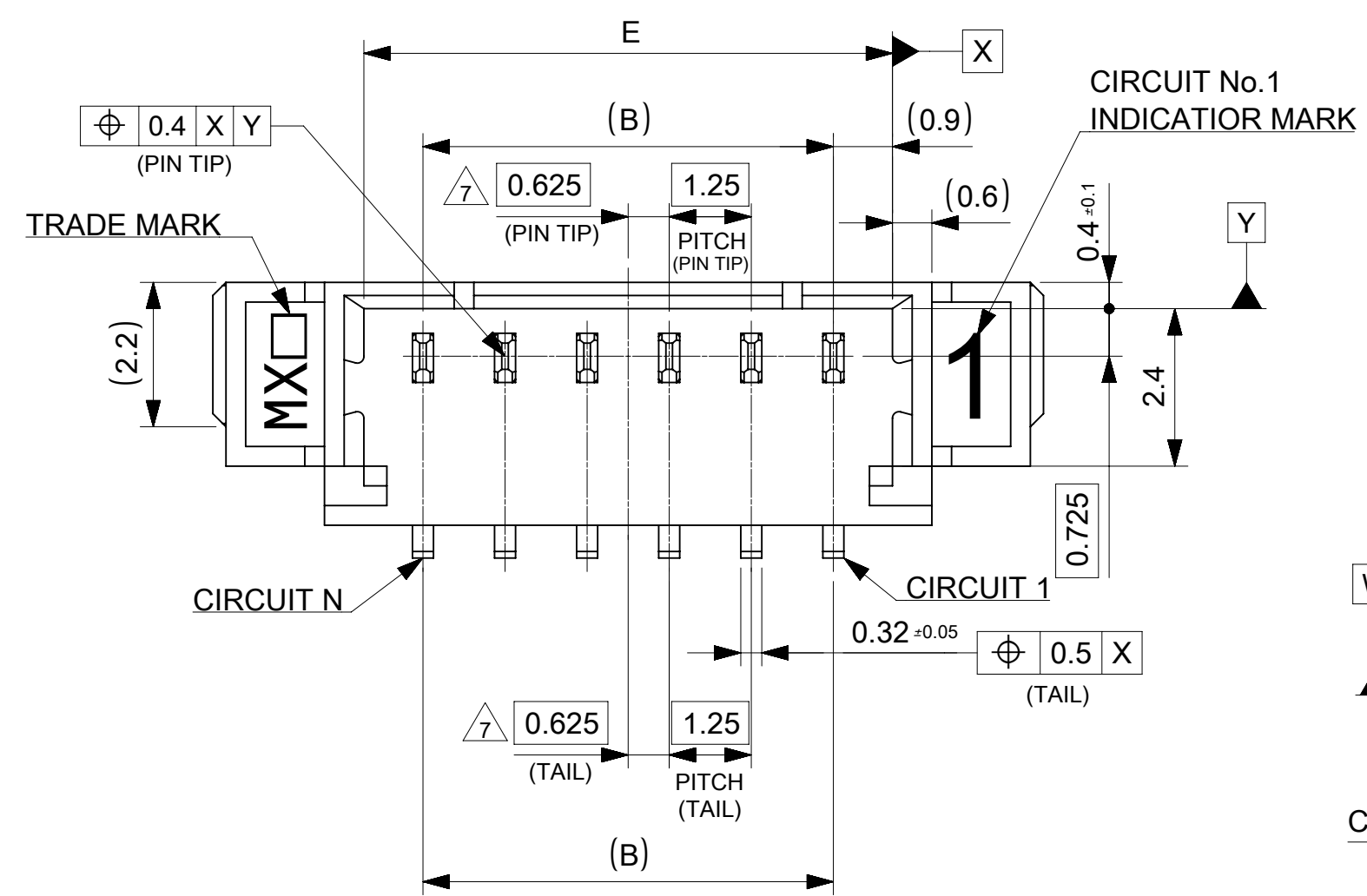
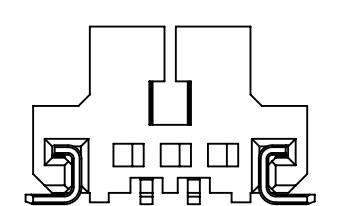
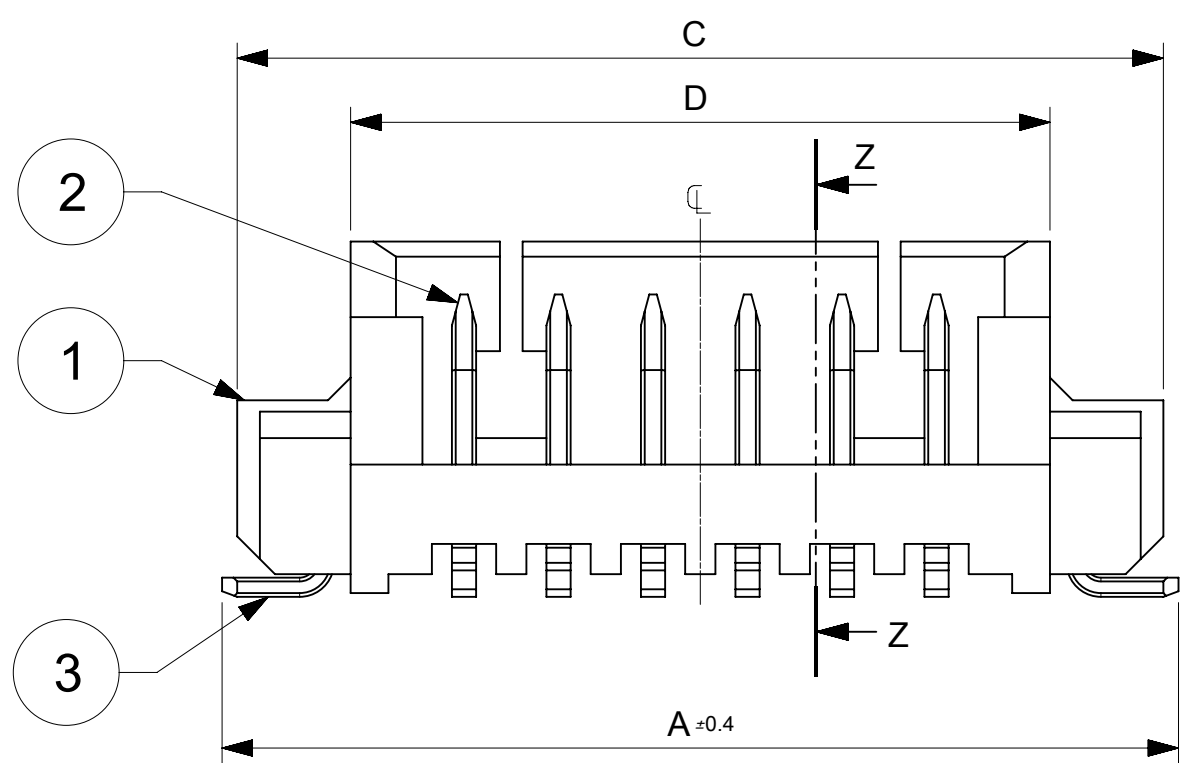


NOTES

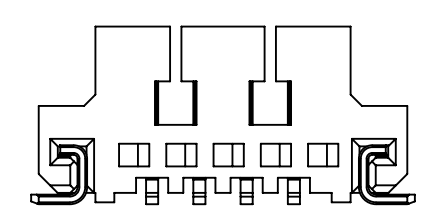
- ① 材料および仕上げ (めっき仕様) : TABLE 1参照  
MATERIAL AND FINISHES : SEE TABLE 1
- 2. 製品仕様書 : PS-51021-024  
PRODUCT SPECIFICATION : PS-51021-024
- 3. 梱包形態 : SHEET 3 参照  
PACKAGING INFORMATION : SEE SHEET 3
- 4. アプリケーション仕様書 (取扱説明書) : 510210000-AS  
APPLICATION SPECIFICATION : 510210000-AS
- ⑤ 嵌合相手 : 51021 シリーズ  
MATE WITH : 51021 SERIES
- ⑥ 水平面上におけるハウジング底面 **W** とソルダーテール及びネイル底面とのズレ量を示す。  
MISALIGNMENT OF SOLDER TAIL AND NAIL FROM **W**
- ⑦ 偶数極のみに適用  
APPLY TO EVEN CIRCUIT PRODUCTS.
- 8. 端子テール部およびネイルの平坦度は0.1以下  
COPLANARITY OF TAIL AND NAIL TO BE 0.1 MAX.



SECTION Z-Z



2, 3極形状 (1ロック)  
FIGURE OF 2, 3 CIRCUIT (1 LOCK)



4~15極形状 (2ロック)  
FIGURE OF 4-15 CIRCUIT (2 LOCKS)

① TABLE 1

番号 NO.	部品 PART	材質 MATERIAL	
①	ハウジング HOUSING	ポリアミド(PA), UL94V-0, GLASS-FILLED, 色: ナチュラル(ベージュ) POLYAMIDE(PA), UL94V-0, GLASS-FILLED, COLOR: NATURAL (BEIGE)	
②	ターミナル TERMINAL	母材 MATERIAL	りん青銅 PHOSPHOER BRONZE
		コンタクト部 CONTACT AREA	無光沢錫めっき 1.0 MICROMETER MINIMUM
		テール部 TAIL AREA	MATTE TIN PLATING 1.0 MICROMETER MINIMUM
		下地めっき UNDER PLATING	ニッケルめっき 1.0 MICROMETER MINIMUM
③	ネイル NAIL	母材 MATERIAL	りん青銅 PHOSPHOER BRONZE
		テール部 TAIL AREA	無光沢錫めっき 1.0 MICROMETER MINIMUM
		下地めっき UNDER PLATING	ニッケルめっき 1.0 MICROMETER MINIMUM
		下地めっき UNDER PLATING	NICKEL PLATING 1.0 MICROMETER MINIMUM

THIS DRAWING CONTAINS INFORMATION THAT IS PROPRIETARY TO MOLEX ELECTRONIC TECHNOLOGIES, LLC AND SHOULD NOT BE USED WITHOUT WRITTEN PERMISSION

DIMENSION UNITS	SCALE	CURRENT REV DESC:
mm	NTS	
GENERAL TOLERANCES (UNLESS SPECIFIED)		
ANGULAR TOL	± 3.0°	
4 PLACES	± 0.2	EC NO: 626512
3 PLACES	± 0.2	DRWN: SOBARA01 2019/04/04
2 PLACES	± 0.2	CHK'D: KOMURAKAMI 2019/10/30
1 PLACE	± 0.2	APPR: AIDA 2019/10/30
0 PLACES	± 0.2	INITIAL REVISION:
DRAFT WHERE APPLICABLE MUST REMAIN WITHIN DIMENSIONS		
THIRD ANGLE PROJECTION	DRAWING	SERIES
	A2-SIZE	53398

EC NO: 626512  
DRWN: SOBARA01 2019/04/04  
CHK'D: KOMURAKAMI 2019/10/30  
APPR: AIDA 2019/10/30

INITIAL REVISION:  
DRWN: SOBARA01 2019/04/04  
APPR: AIDA 2019/10/30

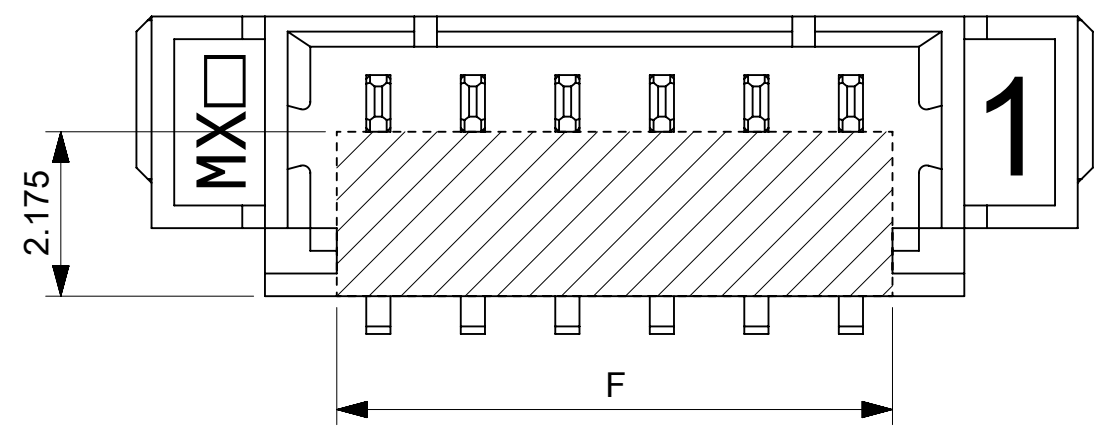
DOCUMENT NUMBER		DOC TYPE	DOC PART	REVISION
533980000-SD		PSD	000	A
MATERIAL NUMBER	CUSTOMER	SHEET NUMBER		
SEE CHART OF SHEET3	GENERAL	1 OF 4		

**molex**

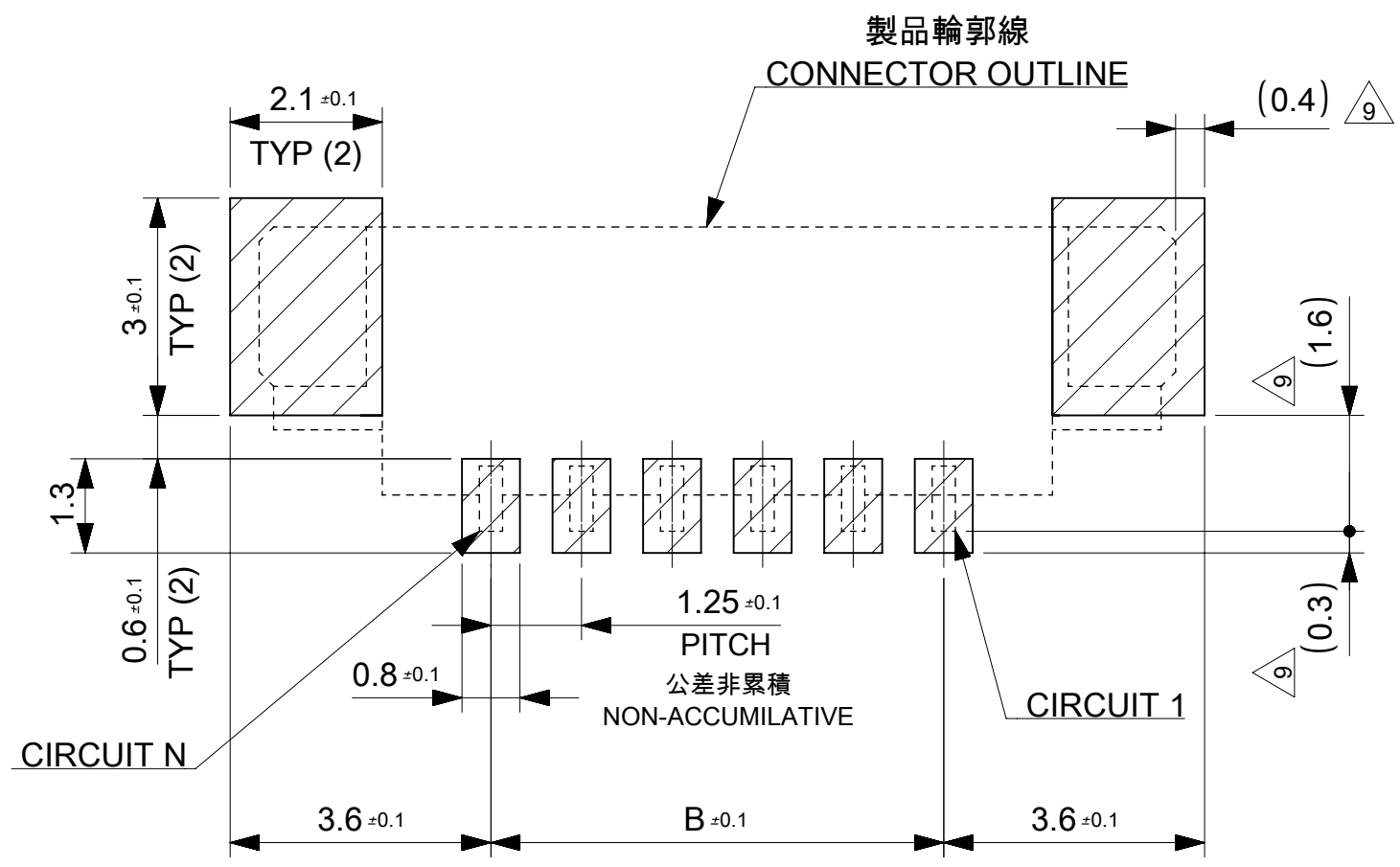
PICOBLADE 1.25  
SMT VERTICAL TIN PLATING TYPE

PRODUCT CUSTOMER DRAWING

18.6	19.3	20.5	23.5	17.5	23.9	15
17.35	18.05	19.25	22.25	16.25	22.65	14
16.1	16.8	18	21	15	21.4	13
14.85	15.55	16.75	19.75	13.75	20.15	12
13.6	14.3	15.5	18.5	12.5	18.9	11
12.35	13.05	14.25	17.25	11.25	17.65	10
11.1	11.8	13	16	10	16.4	9
9.85	10.55	11.75	14.75	8.75	15.15	8
8.6	9.3	10.5	13.5	7.5	13.9	7
7.35	8.05	9.25	12.25	6.25	12.65	6
6.1	6.8	8	11	5	11.4	5
4.85	5.55	6.75	9.75	3.75	10.15	4
3.6	4.3	5.5	8.5	2.5	8.9	3
2.35	3.05	4.25	7.25	1.25	7.65	2
F	E	D	C	B	A	極数 CIRCUIT SIZE



吸着面  
VACUUM AREA



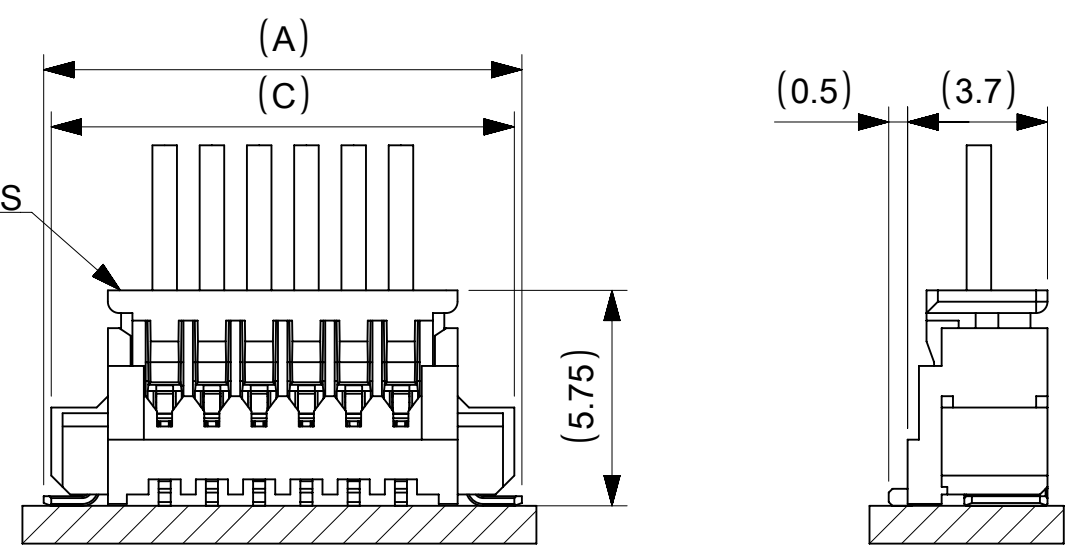
△10 推奨基板レイアウト (実装面側)

RECOMMENDED P.W.B LAYOUT : COMPONENT SIDE

(参考 : 基板厚 1.0 MILLIMETER, メタルマスク厚さ : 0.15 MILLIMETER, マスク開口率:100%)

(REFERENCE : P.W.B THICKNESS 1.0 MILLIMETER, STENCIL THICKNESS: 0.15 MILLIMETER, APERTURE:100%)

△5 嵌合相手 : 51021 シリーズ  
MATE WITH : 51021 SERIES



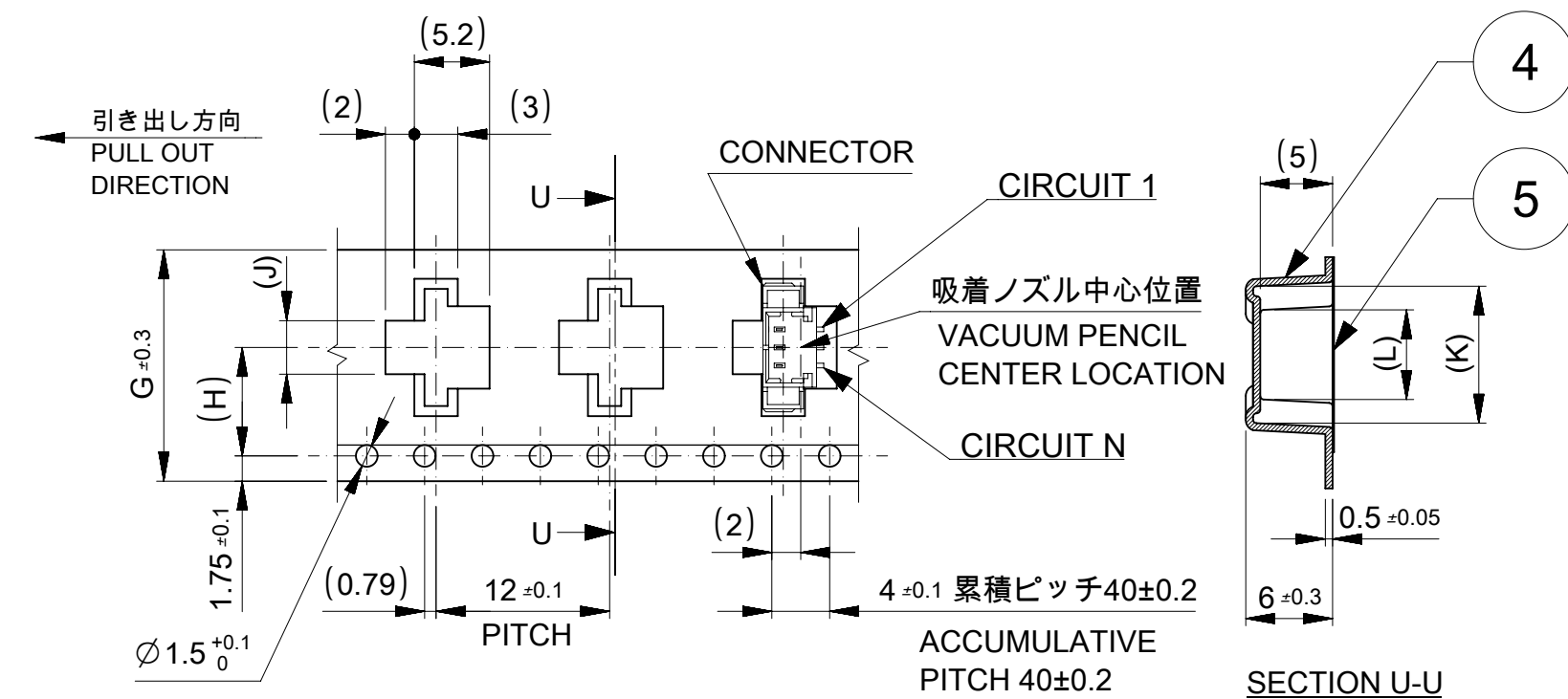
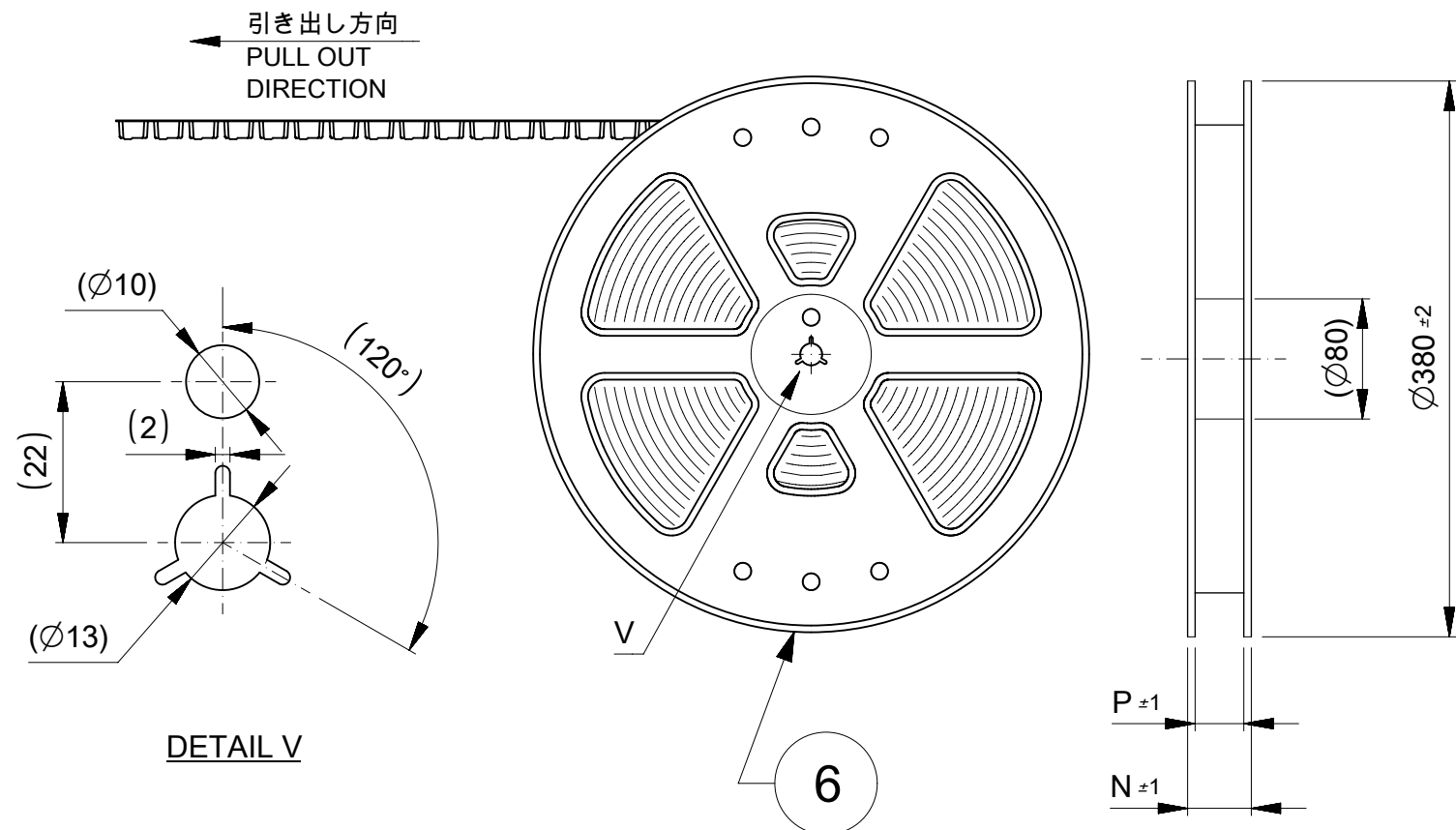
△5 嵌合図  
MATED CONNECTORS

- △9 製品輪郭線からパッドまでの寸法を示す。  
DIMENSIONS FROM CONNECTOR OUTLINE TO PAD
- △10 製品の基板実装部以外の金属露出部と基板パターンとの干渉、および製品と基板上の突起物との干渉が生じないようにご配慮をお願いいたします。  
PLEASE TAKE CARE NOT TO CAUSE INTERFERENCE BETWEEN EXPOSED METAL PARTS EXCLUDING MOUNTING PORTION OF PRODUCT AND PWB PATTERN, AND INTERFERENCE BETWEEN PRODUCT AND PROTRUSIONS ON PWB.

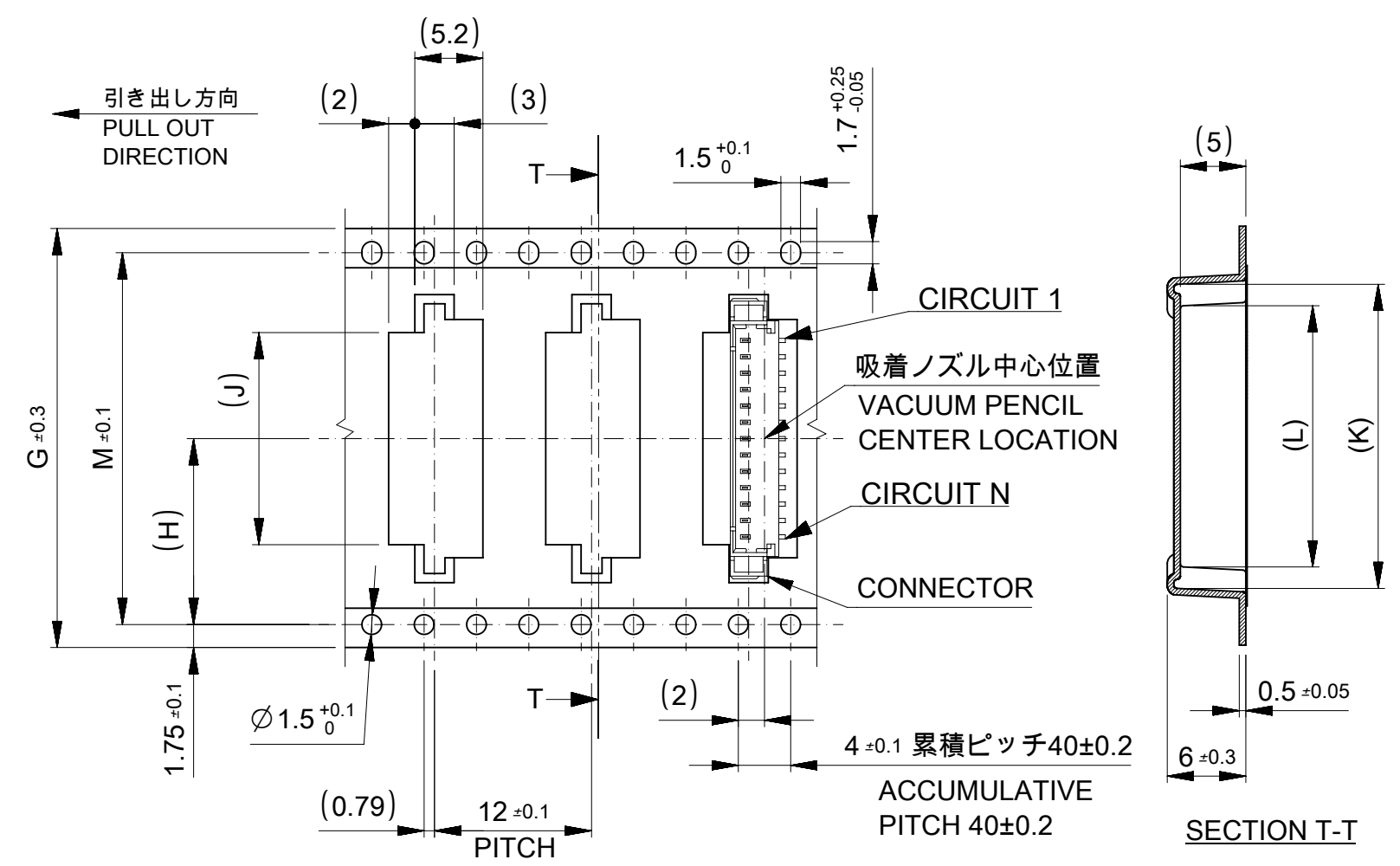
18.6	19.3	20.5	23.5	17.5	23.9	15
17.35	18.05	19.25	22.25	16.25	22.65	14
16.1	16.8	18	21	15	21.4	13
14.85	15.55	16.75	19.75	13.75	20.15	12
13.6	14.3	15.5	18.5	12.5	18.9	11
12.35	13.05	14.25	17.25	11.25	17.65	10
11.1	11.8	13	16	10	16.4	9
9.85	10.55	11.75	14.75	8.75	15.15	8
8.6	9.3	10.5	13.5	7.5	13.9	7
7.35	8.05	9.25	12.25	6.25	12.65	6
6.1	6.8	8	11	5	11.4	5
4.85	5.55	6.75	9.75	3.75	10.15	4
3.6	4.3	5.5	8.5	2.5	8.9	3
2.35	3.05	4.25	7.25	1.25	7.65	2
F	E	D	C	B	A	極数 CIRCUIT SIZE

THIS DRAWING CONTAINS INFORMATION THAT IS PROPRIETARY TO MOLEX ELECTRONIC TECHNOLOGIES, LLC AND SHOULD NOT BE USED WITHOUT WRITTEN PERMISSION

DIMENSION UNITS	SCALE	CURRENT REV DESC:		<b>molex</b>				
mm	NTS							
GENERAL TOLERANCES (UNLESS SPECIFIED)		EC NO: 626512		PICOBLADE 1.25 SMT VERTICAL TIN PLATING TYPE				
ANGULAR TOL	± 3.0°	DRWN: SOBARA01	2019/04/04					
4 PLACES	± 0.2	CHK'D: KOMURAKAMI	2019/10/30	PRODUCT CUSTOMER DRAWING				
3 PLACES	± 0.2	APPR: AIDA	2019/10/30					
2 PLACES	± 0.2	INITIAL REVISION:		DOCUMENT NUMBER				
1 PLACE	± 0.2	DRWN: SOBARA01	2019/04/04					533980000-SD
0 PLACES	± 0.2	APPR: AIDA	2019/10/30	PSD	000	A		
DRAFT WHERE APPLICABLE MUST REMAIN WITHIN DIMENSIONS	THIRD ANGLE PROJECTION	DRAWING	SERIES	MATERIAL NUMBER	CUSTOMER	SHEET NUMBER		
		A2-SIZE	53398	SEE CHART OF SHEET3	GENERAL	2 OF 4		



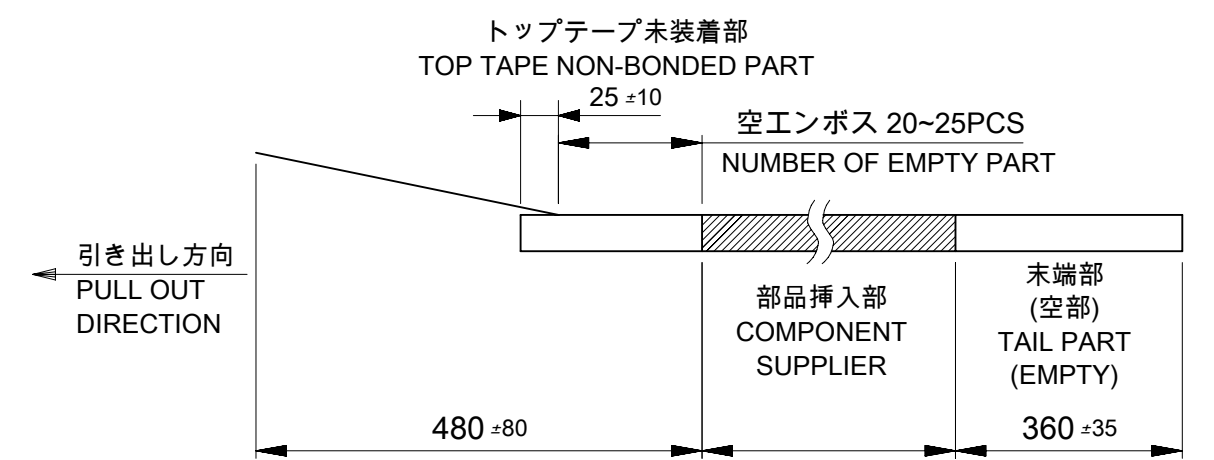
16mm幅(2~3極用)および24mm幅(4~10極用)キャリアテープ  
16mm (FOR 2-3 CIRCUIT) OR 24mm (FOR 4-10 CIRCUIT) WIDTH CARRIER TAPE



32mm幅(11~13極用)および44mm幅(13~15極用)キャリアテープ  
32mm (FOR 11-13 CIRCUIT) OR 44mm (FOR 13-15 CIRCUIT) WIDTH CARRIER TAPE

NOTES

- 11. 梱包数量 : 1000個/リール  
NUMBER OF CONNECTOR : 1000PCS / REEL
- 12. リードテープ長さ  
LEAD TAPE LENGTH



- 13. 材料 : TABLE 2 参照  
MATERIAL : REFER TO TABLE 2
- 14. トップテープの剥離強度はIEC60286-3に準拠  
TOP TAPE PELING FORCE IS DEFINED BY IEC60286-3.
- 15. 本製品は乾燥剤入り、ハイバリア梱包仕様による納品となります。  
THIS PRODUCT IS DELIVERED IN A HIGH BARRIER PACKAGE WITH DESICCANT.
- 16. 梱包仕様書 : SPK-53398-002  
PACKING SPECIFICATION : SPK-53398-002

TABLE 2

番号 NO.	部品 PART	材質 MATERIAL
④	キャリアテープ CARRIER TAPE	ポリプロピレン(PP) POLYPROPYLENE(PP)
⑤	トップテープ TOP TAPE	ポリエチレン (PE)、その他 POLYETHYLENE (PE), ETC
⑥	リール REEL	ポリスチレン(PS) <リサイクル材を含む> POLYSTYRENE(PS) <RECYCLE MATERIAL CONTAINED >

17. 発注番号  
ORDER NUMBER  
53398\*\*71

極数  
CIRCUIT

533981571	15
533981471	14
533981371	13
533981271	12
533981171	11
533981071	10
533980971	9
533980871	8
533980771	7
533980671	6
533980571	5
533980471	4
533980371	3
533980271	2

発注番号 ORDER NO.  
梱包形態 : エンボス梱包  
PACKAGING : EMBOSSED TAPE AND REEL

極数  
CIRCUIT

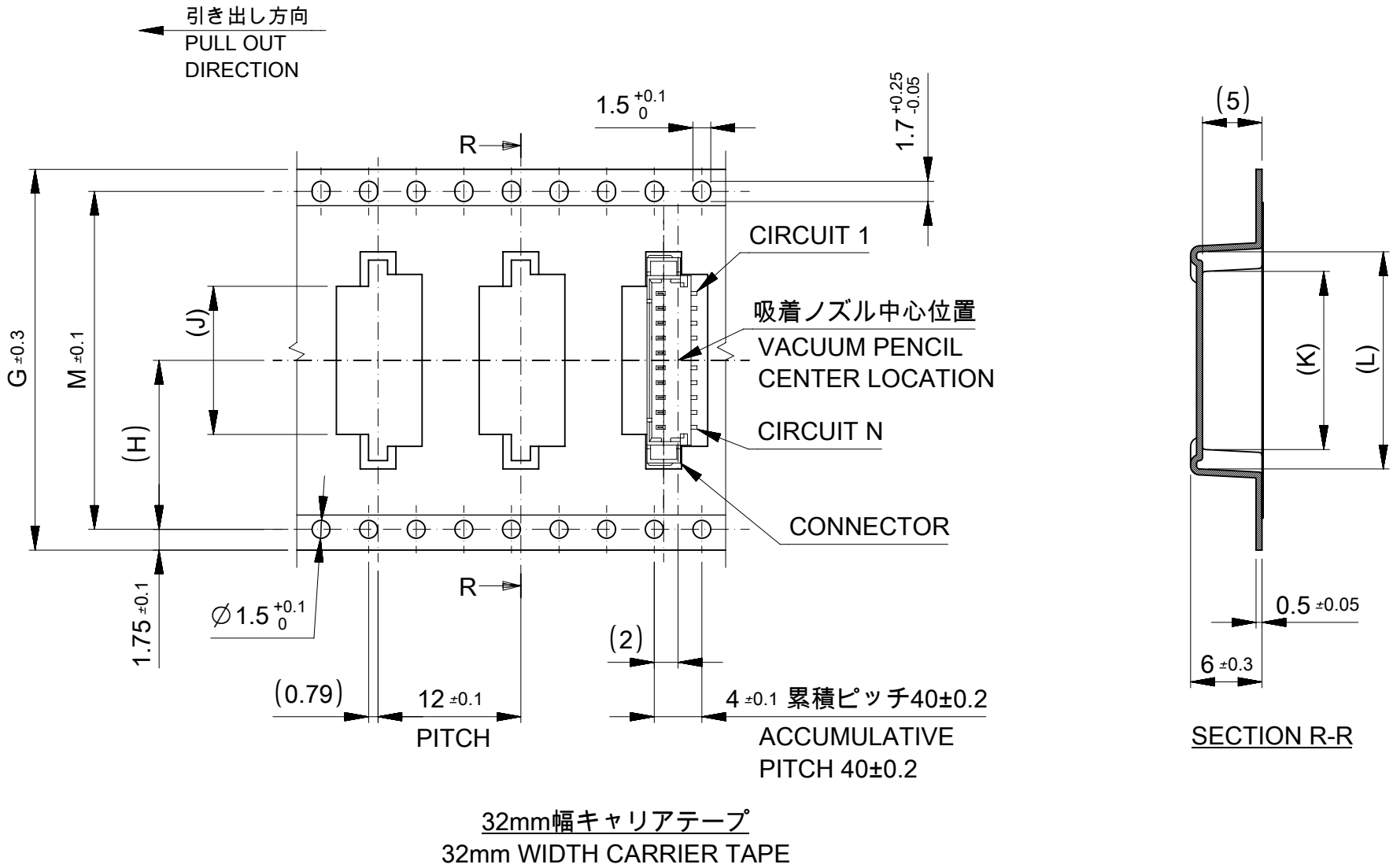
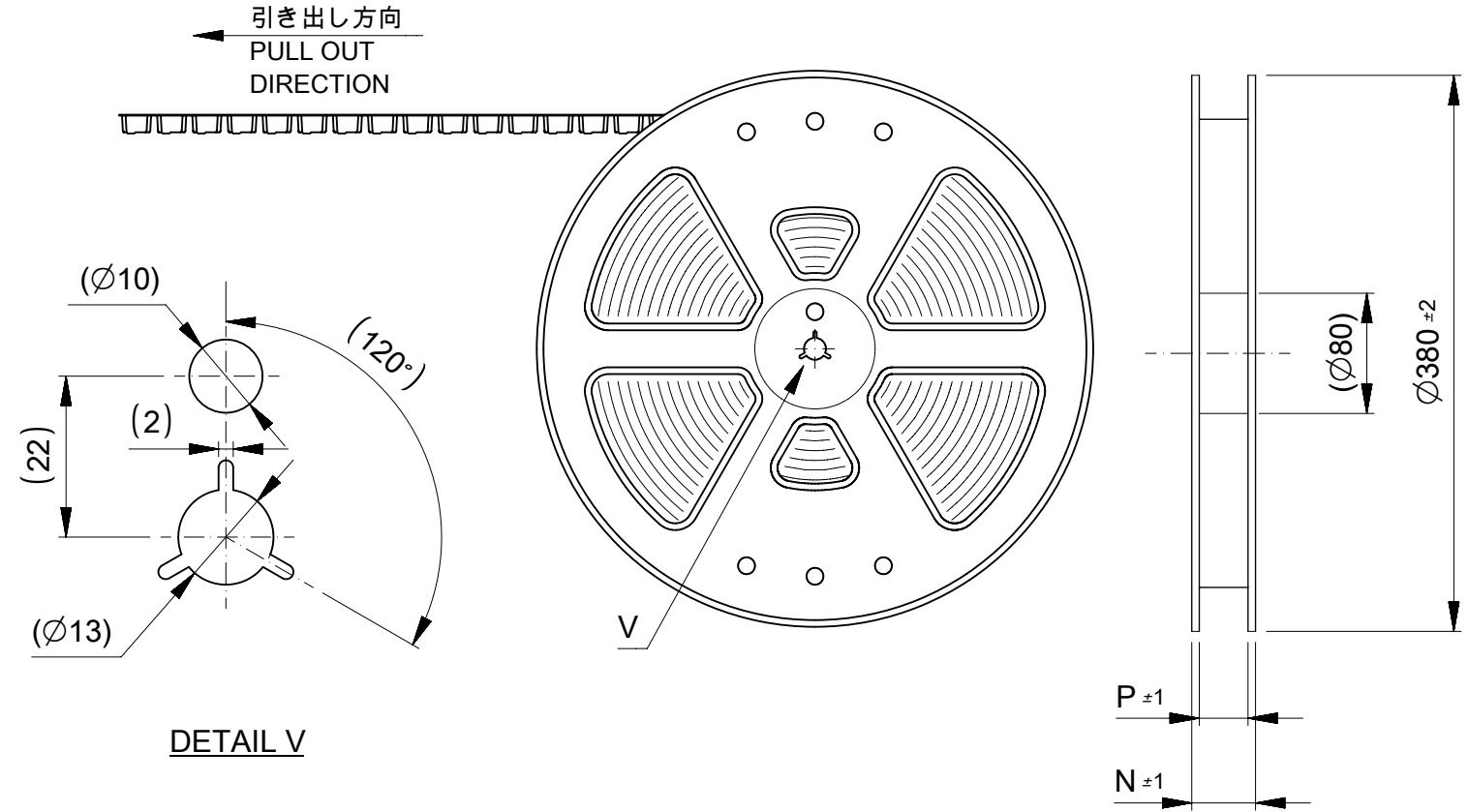
THIS DRAWING CONTAINS INFORMATION THAT IS PROPRIETARY TO MOLEX ELECTRONIC TECHNOLOGIES, LLC AND SHOULD NOT BE USED WITHOUT WRITTEN PERMISSION

DIMENSION UNITS	SCALE	CURRENT REV DESC:	molex		
mm	NTS		PICOBLADE 1.25 SMT VERTICAL TIN PLATING TYPE		
GENERAL TOLERANCES (UNLESS SPECIFIED)					
ANGULAR TOL	± 3.0°	EC NO: 626512	PRODUCT CUSTOMER DRAWING		
4 PLACES	± 0.2	DRWN: SOBARA01 2019/04/04			
3 PLACES	± 0.2	CHK'D: KOMURAKAMI 2019/10/30	DOCUMENT NUMBER: 533980000-SD		
2 PLACES	± 0.2	APPR: AIDA 2019/10/30			
1 PLACE	± 0.2	INITIAL REVISION:	DOC TYPE: PSD		
0 PLACES	± 0.2	DRWN: SOBARA01 2019/04/04			
DRAFT WHERE APPLICABLE MUST REMAIN WITHIN DIMENSIONS		APPR: AIDA 2019/10/30	DOC PART: 000		
THIRD ANGLE PROJECTION		SERIES: 53398			
DRAWING: A2-SIZE		MATERIAL NUMBER: SEE CHART OF SHEET3	REVISION: A		
CUSTOMER: GENERAL		SHEET NUMBER: 3 OF 4			

18 533981071  
 韓国生産分に適用  
 APPLIES TO PRODUCT  
 PRODUCED BY MXK

NOTES

18 韓国生産分の533981071(10極品)は、キャリアテープ幅32mmでの納品となります。  
 533981071 (10 CIRCUIT) MADE IN MXK IS DELIVERED WITH 32mm WIDTH CARRIER TAPE.



33.4	37.4	28.4	18.25	14.55	12.45	14.2	32	10
P	N	M	L	K	J	H	キャリアテープ幅 G CARRIER TAPE WIDTH G	極数 CIRCUIT SIZE

THIS DRAWING CONTAINS INFORMATION THAT IS PROPRIETARY TO MOLEX ELECTRONIC TECHNOLOGIES, LLC AND SHOULD NOT BE USED WITHOUT WRITTEN PERMISSION

DIMENSION UNITS	SCALE	CURRENT REV DESC:		<b>molex</b>			
mm	NTS						
GENERAL TOLERANCES (UNLESS SPECIFIED)		EC NO: 626512		PICOBLADE 1.25 SMT VERTICAL TIN PLATING TYPE			
ANGULAR TOL ± 3.0°		DRWN: SOBARA01 2019/04/04					
4 PLACES ± 0.2		CHK'D: KOMURAKAMI 2019/10/30		PRODUCT CUSTOMER DRAWING			
3 PLACES ± 0.2		APPR: AIDA 2019/10/30					
2 PLACES ± 0.2		INITIAL REVISION:		DOCUMENT NUMBER <b>533980000-SD</b>			
1 PLACE ± 0.2		DRWN: SOBARA01 2019/04/04					
0 PLACES ± 0.2		APPR: AIDA 2019/10/30		DOC TYPE PSD		DOC PART 000	
DRAFT WHERE APPLICABLE MUST REMAIN WITHIN DIMENSIONS		THIRD ANGLE PROJECTION	DRAWING A2-SIZE	SERIES 53398	MATERIAL NUMBER SEE CHART OF SHEET3	CUSTOMER GENERAL	REVISION 4 OF 4