

# ER14335 Lithium Thionyl Chloride Battery

## Brief Datasheet

### 1 Basic Specification

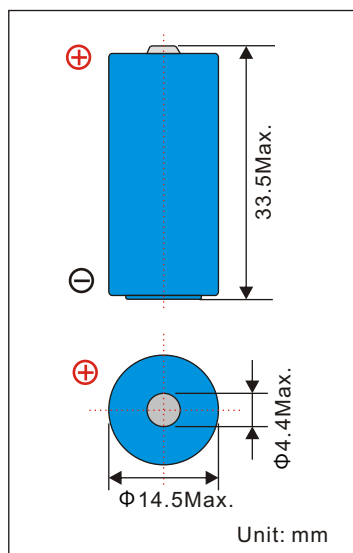
(Typical values relative to cells stored for one year or less at +30°C max.)

Nominal capacity ( at 1.3mA +23°C,2.0V cut off )	1650mAh
Nominal voltage	3.6V
Standard discharge current	1.3mA
Maximum continuous current	75mA
Maximum pulse current	150mA
Operating temperature range	-55°C- +85°C
Storage temperature (recommended )	+30°C Max
Weight	13g

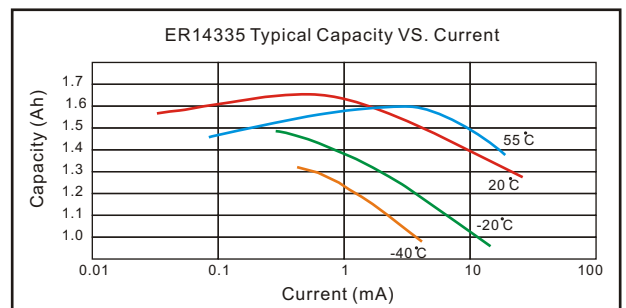
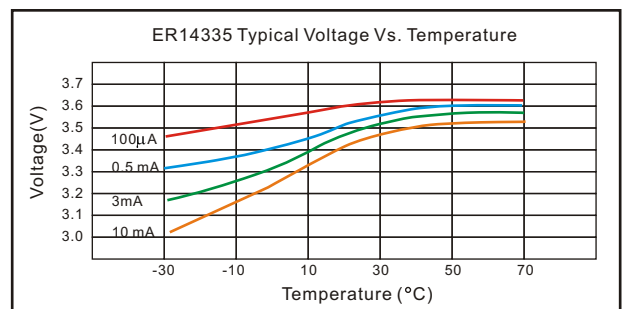
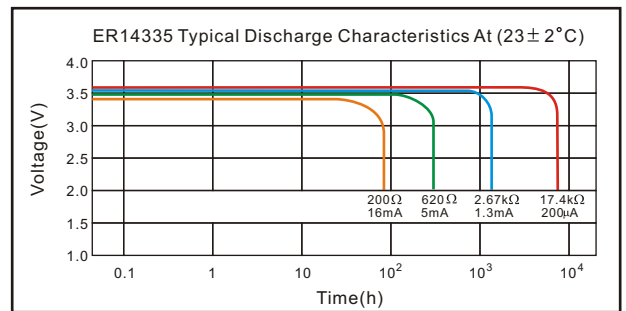
\*Energy type is bobbin structure and best suit for low current discharge. It may require depassivation before medium currents can be delivered.

\*Underwriters Laboratories (UL) Component Recognition (File Number MH 20555).

### 2 Dimension



### 3 Electrical Characteristics



# ENERGY TYPE

Note: Any representations in this brochure concerning performance, are for informational purposes only and are not construed as warranties either expressed or implied, of future performance.