



Feature -

multi-sections and multi-poles

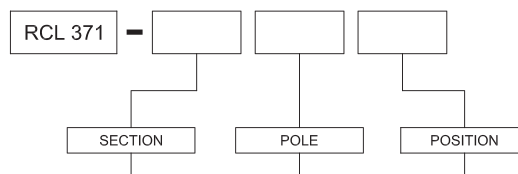
Application -

multi-circuitry in communication products equipments, broadcast system data switch, monitor switching

► SPECIFICATIONS

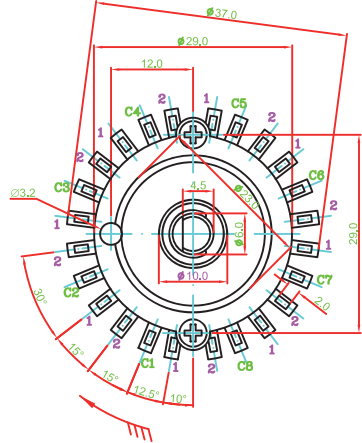
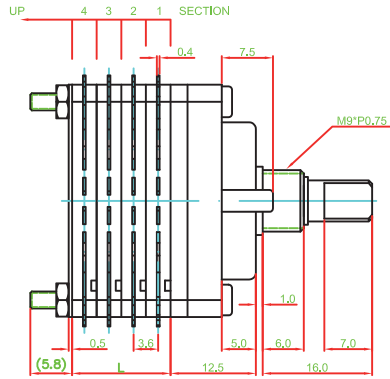
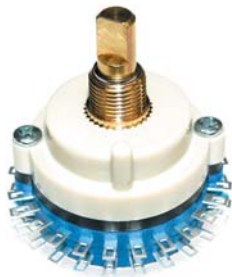
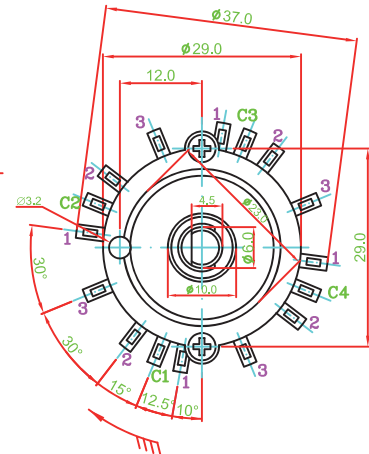
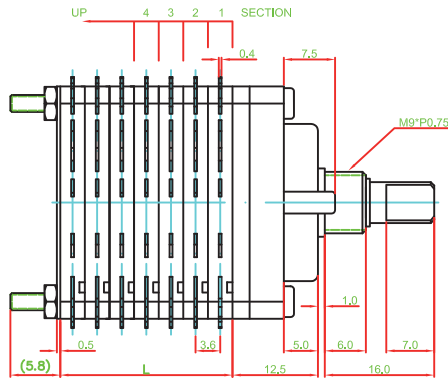
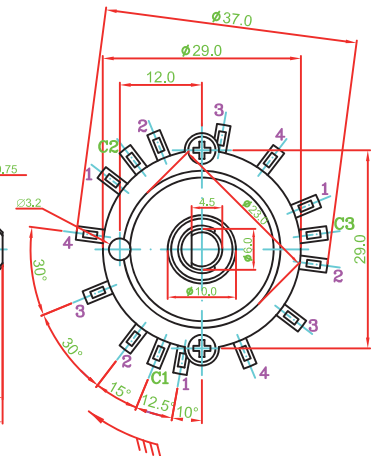
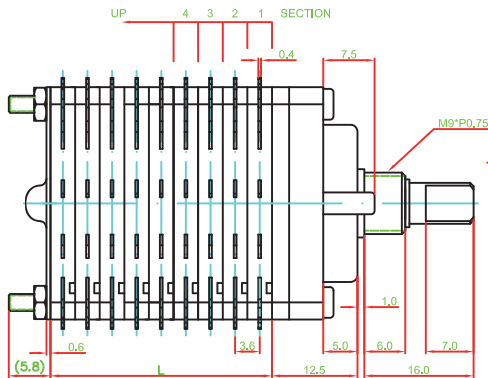
SWITCH SPECIFICATIONS	
POLE - POSITION	Multi - sections and multi - poles
CONTACT RATING	30 V DC , 500 mA
CONTACT RESISTANCE	25 mΩ MAX. 1 AC KHz±200Hz voltage / current less than 20mV / 50mA or DC 5V 1A1.5 V DC ; 100 mA , by Method of Voltage DROP
INSULATION RESISTANCE	100 MΩ MIN. 500 V DC for 1 minute
DIELECTRIC STRENGTH	Breakdown is not Allowable ; 500 V AC for 1 Minute
OPERATING FORCE	1 TO 3 Section 2 ± 1 Kgf.cm Over 3 Section 3 ± 1.5 kgf.cm
OPERATING LIFE	10,000 cycles
OPERATING TEMPERATURE RANGE	-20°C ~ 70°C

► HOW TO ORDER



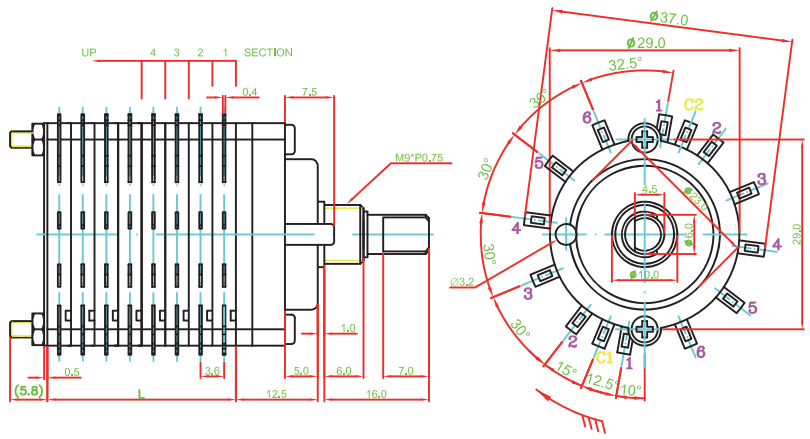
SECTION (1-12)	POLE	POSITION (2-12)	BODY LENGTH (L)	SECTION (1-12)	POLE	POSITION (2-12)	BODY LENGTH (L)
1	8 4 3 2 1	2 3 4 5-6 7-12	3.6mm	5	40 20 15 10 5	2 3 4 5-6 7-12	18mm
2	16 8 6 4 2	2 3 4 5-6 7-12	7.2mm	7	56 28 21 14 7	2 3 4 5-6 7-12	25.2mm
3	24 12 9 6 3	2 3 4 5-6 7-12	10.8mm	9	36 27 18 9	3 4 5-6 7-12	32.4mm
4	24or32 16 12 8 4	2 3 4 5-6 7-12	14.4mm	12	48 36 24 12	3 4 5-6 7-12	43.2mm
-	-	-	-	1-12 SECTIONS	-	-	SECTIONS x3.6mm



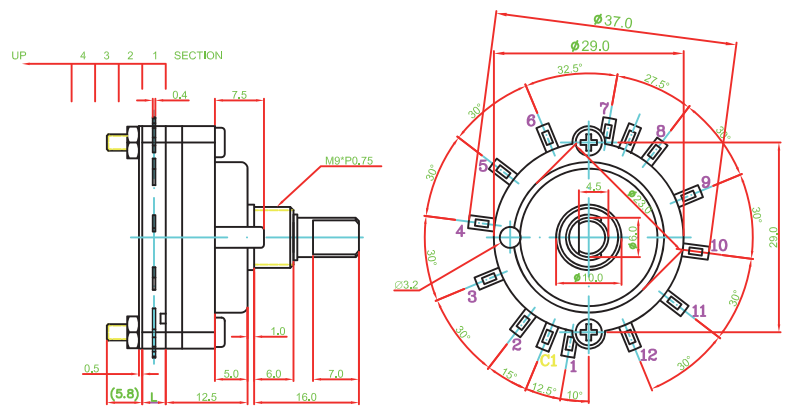
DIMENSION
2 Position Series

3 Position Series

4 Position Series


▶ DIMENSION

5~6 Position Series



7~12 Position Series



X Position Series

