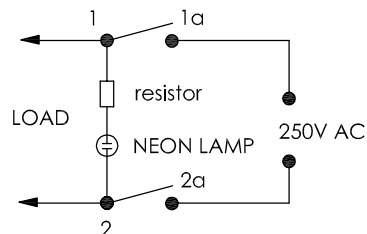


本圖面若與目錄之規格尺寸不符，以本圖面規格尺寸為主。

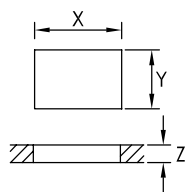
Below is our main specification if different from catalog.

RoHS compliant

CIRCUIT OF SWITCH



POLE FUNCTION	OPTIONS OF FUNCTION	
	A	B
DPST	1-1a 2-2a	OFF



PANEL OUT-CUT		
Z	Y	X
0.7~1.25 [ 0.028~0.049 ]	22.1~22.2 [ 0.870~0.874 ]	30.0~30.2 [ 1.181~1.189 ]
1.25~2.0 [ 0.049~0.079 ]	22.1~22.2 [ 0.870~0.874 ]	30.2~30.4 [ 1.189~1.197 ]
2.0~3.0 [ 0.079~0.118 ]	22.1~22.2 [ 0.870~0.874 ]	30.6~30.8 [ 1.205~1.213 ]

**SPECIFICATION**

**Electrical Rating:** 16A 250V AC & 20A 125V AC.

**Insulation resistance:** > 1,000MΩ (500V DC between open contacts).

**Contact resistance:** < 20mΩ (initial).

**Electrical life:** > 10,000 cycles.

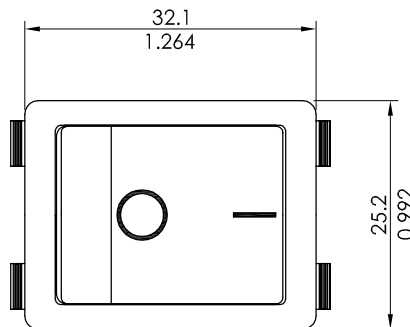
**Mechanical life:** > 30,000 cycles.

**Dielectric strength:** > 1,500V 1 minute.

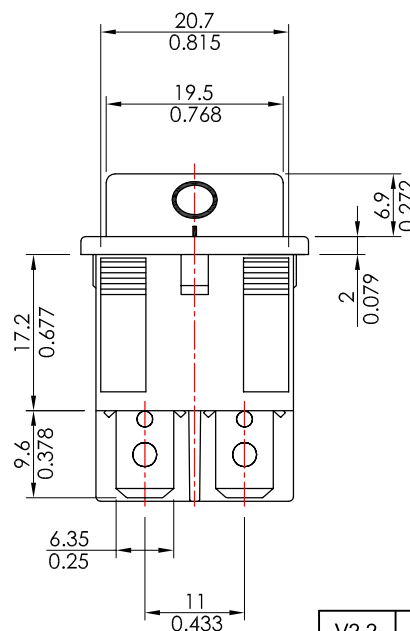
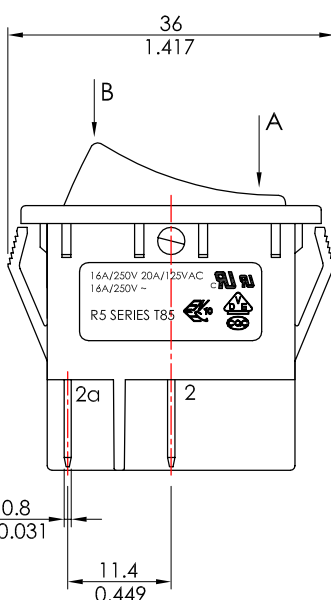
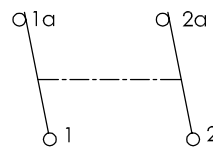
**Minimum load:** 300mA 10V DC.(reference only)

**When proceed with soldering, please pay attention to following:**

For manual soldering method, must use 30W soldering iron and completethe operation within 3 seconds, under 350 °C. For dip soldering method,must complete the operation within 3 seconds with the temperature of 280 °C.



CIRCUIT DPST



HOUSING COLOR	
B	Black
W	White
G	Gray

MARKING	
refer to our catalog	

RoHS compliant

R595XXXXX-G

ROCKER COLOR	
B	Black
W	White
G	Gray
R	Red
Y	Yellow
GN	Green

LAMP VOLTAGE	
1	125V AC
2	250V AC



V2.2	△		
V2.1	無	圖框改版	2007.11.06
V2.0	無	新繪製	2003.11.07
版本 VER.	符號 SYMBOL	修改內容 ALTERATION	更新日期 DATE

產品 PRODUCT	Rocker Switch		型號 MODEL NO.	R595BRBT2-G
製圖 DRAWN BY	核圖 CHECKED BY	主管 APPROVED BY	單位 UNIT	mm
Jack Liao	Alex Lin	Margaret Lee	比例 SCALE	1.2 : 1
			公差 TOLERANCE	.X=±0.4mm, .XX=±0.25mm

**SWITRONIC**  
INDUSTRIAL CORP.  
**Switches**



一綺電子企業股份有限公司

總公司：110 台北市信義路四段415號12樓之2  
12F-2 NO. 415, SEC. 4, HSIN YI ROAD, TAIPEI, TAIWAN  
TEL：886-2-27290229 (Rep.) FAX：886-2-27582086  
URL：http://www.switronic.com.tw  
E-MAIL：switches@ms36.hinet.net