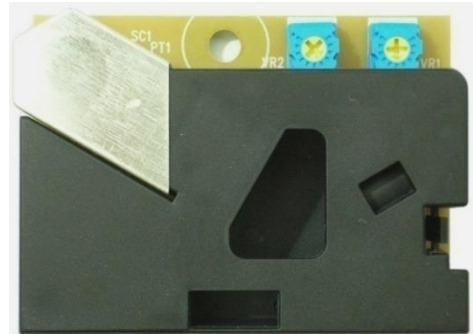


# Particle / Dust Sensor Module

## DSM 501 Series

### 1. Features

- ◆ Detecting dust, pollen, and particles down  $1\mu\text{m}$
- ◆ Customized sensitivity for efficient control depending on application
- ◆ Excellent long term reliability and easy maintenance
- ◆ Compact Size
- ◆ PWM Output



### 2. Applications

- ◆ Air cleaners, Air conditioners
- ◆ Ventilation System, Fan Control
- ◆ IAQ Monitoring & Control
- ◆ Smoke Detectors

### 3. Description

DSM 501 is an sensor module which can detect dust concentration.

Dust sensor detects fine particle as small as  $1\mu\text{m}$  and measures quantity of floating particles in a room space up to maximum  $30\text{m}^3$ .

The sensor generates forced inflow of the sampling air, and measures the dispersion of reflected lights by particles.

This measurement is then converted to PWM output signal.

The sensor is capable of detecting particles as small as  $1\mu\text{m}$  size particles including house dust, pollen, mite, germ, and cigarette smoke that are known causes for respiratory disease and allergy.

DSM 501 dust sensor is an ideal and cost efficient solution for automatic control of air conditioner and air cleaner as well as monitoring indoor air quality.

#### 4. Operating Condition

| Parameter  | Symbol                            | Min. | Typ | Max    | Unit      |
|--|-----------------------------------|------|-----|--------|-----------|
| Supply Voltage   | $V_{CC}$                          | 4.5  | 5.0 | 5.5    | V         |
| Current Consumption                                    | $I_{CC}$                          |      |     | 90     | mA        |
| Storage Temperature Range                              | $T_{stg}$                         | -20  |     | 80     | °C        |
| Operating Temperature Range                            | $T_a$                             | -10  |     | 65     | °C        |
| Operating Humidity Range<br>(Without dew condensation) | RH                                |      |     | 95     | %RH       |
| Detectable particle size                               |                                   | 1    |     |        | $\mu m$   |
| Detectable range of concentration                      |                                   | 0    |     | 15,000 | pcs/283ml |
| Output signal  | PWM (Pulse Width Modulation)      |      |     |        |           |
| Weight   | 25g                               |      |     |        |           |
| Size   | (W) 59 mm x (H) 45 mm x (D) 17 mm |      |     |        |           |

#### 5. Dust sensor output characteristics

$V_{CC} = 5V, T_a = 25^\circ C$

| Parameter                            | Symbol | Condition   | Min. | Typ. | Max. | Unit   |
|--------------------------------------|--------|-------------|------|------|------|--------|
| Vout 1, 2 at high <sup>*1</sup>      | Voh    | No particle | 4.0  | 4.3  | -    | V      |
| Vout 1, 2 at low <sup>*2</sup>       | Vol    | Particle    | -    | 0.7  | 1.0  | V      |
| Time for stabilization <sup>*3</sup> |        |             | 1    | -    |      | minute |

\*1 : Vout 1 and Vout 2 are high state when particles are not detected. (=clean room)

\*2 : Vout 1 and 2 go to low state when particles are detected.

\*3 : After the power is turned on.

## 6. Block Diagram

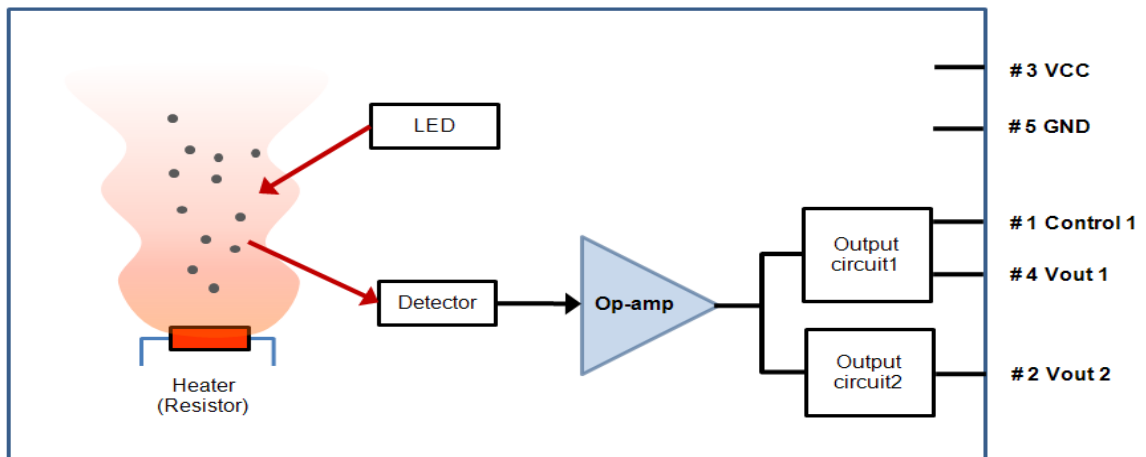


Fig.1 Block Diagram

According to the above Block Diagram, in the inside of sensor module, there are dust detection for infrared LED, Photo TR for scattered infrared signal by external dust, OP-Amp for signal amplification.

The principle of dust detection is that inflow dust is passed by the measuring scope through upstream due to self-heating of heater, and lights from LED is spawned by dust and is realized as a signal at Detector.

The signal from Detector is displayed to PWM signal through amplification and filtering.

## 7. I / O Connector Specifications

| Pin number | Pin name | Description         |
|------------|----------|---------------------|
| 1          | Control  | Vout 1 control      |
| 2          | Vout 2   | Vout 2 output (PWM) |
| 3          | Vcc      | DC 5 V Input        |
| 4          | Vout 1   | Vout 1 output (PWM) |
| 5          | GND      | Ground              |

### 7-1. PIN Description

#### Control (Pin #1)

This Pin is used to control that Dust sizes are detected when Vout 1 is being used.

In case of not using this Pin, the Dust size of Vout1's Detecting range is over 2.5 $\mu$ m.

The controllable range is between 2.5 $\mu$ m and 1 $\mu$ m, and it can be use to connect with Pull Down Resistance.

#### Vout 2 (Pin #2)

Pin #2 is shows signal by PWM (Pulse Width Modulation) after detecting Dust over 1  $\mu$ m.

Refer to the 'Page.7' or attached 'Application Note' about the method of signal conditioning.

#### Vcc (Pin #3)

The Pin of DC 5V input Power. For the stable operation, the power supply range adjust within  $\pm 10\%$ , Ripple has to be 30mV.

#### Vout 1 (Pin #4)

This Pin is shows PWM (Pulse Width Modulation) signal after detecting over 2.5  $\mu$ m of Dust.

Refer to the 'Page.6' or attached 'Application Note' about the method of signal conditioning.

#### GND (Pin #5)

Pin #5 is used for Ground.

### 7-2. Connector Description

| Model name | Part No. |            | Description | Connector's maker |
|------------|----------|------------|-------------|-------------------|
| DSM501A    | Wafer    | 20010WR-05 | 2mm pitch   | Yeonho Electronic |
|            | Housing  | 20010HS-05 |             |                   |
| DSM501B    | Wafer    | S 5B-EH    | 2.5mm pitch | J.S.T.            |
|            | Housing  | EHR-5      |             |                   |

### 7-3. Sample Schematics

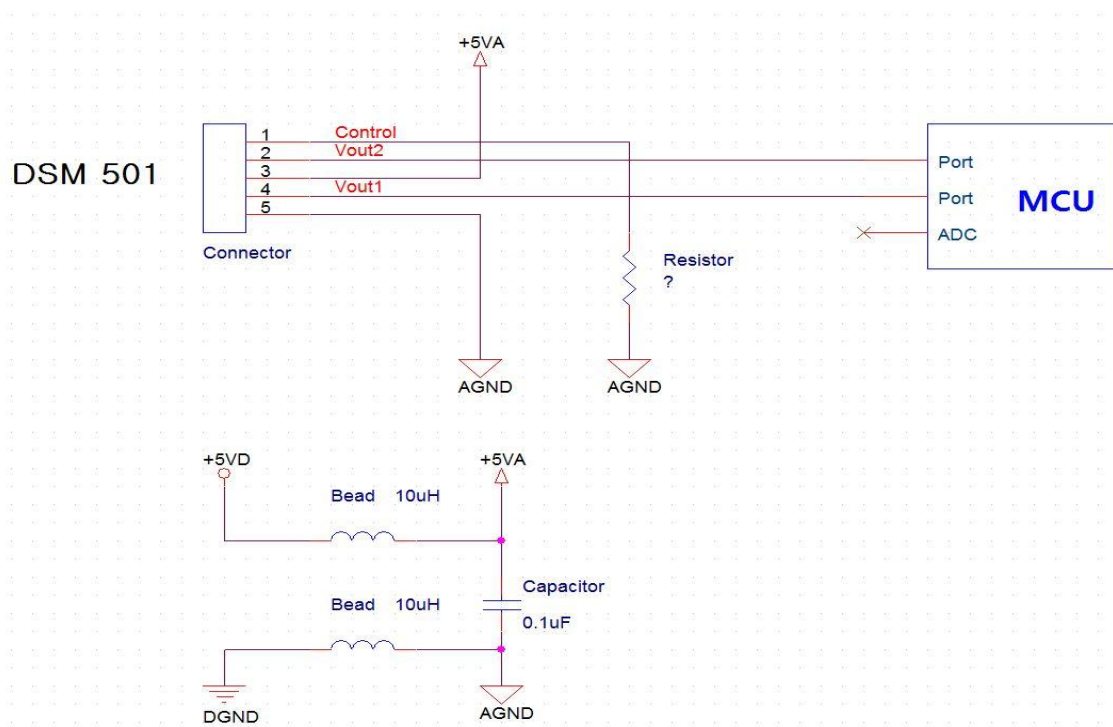


Fig.2 Sample Schematic

## 8. Detection Size Determination

Size of the signal from the sensor differs depending on the size of the particles detected; over 1 $\mu$ m (Vout2) and over 2.5 $\mu$ m (Vout1).

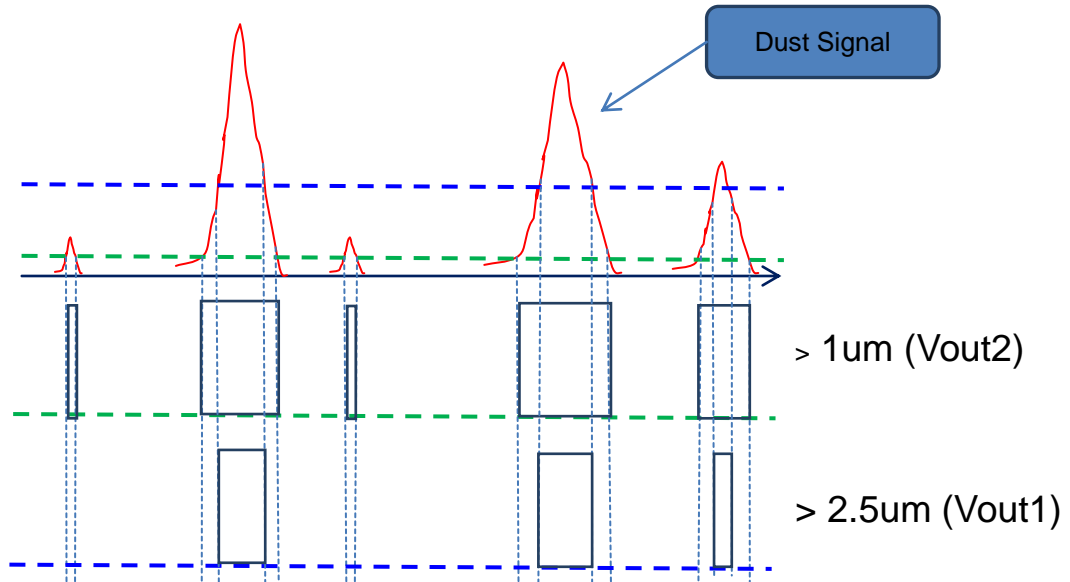
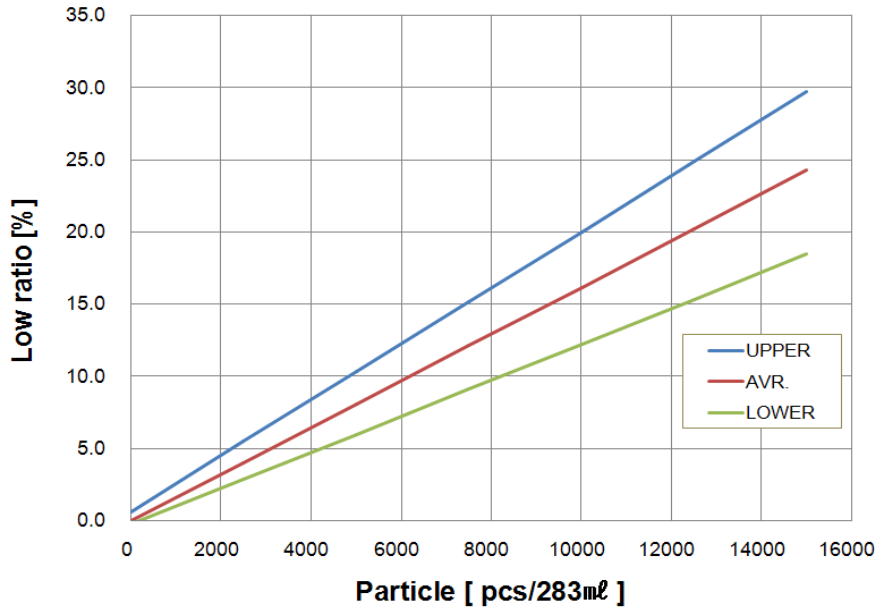


Fig.3 Detection Size Determination

## 9. Sensor Characteristics vs Low ratio

### 9-1. Dust sensor Characteristics



※  $1 \text{ ft}^3 = 28316.85\text{ml} = 0.02831685\text{m}^3$

Fig.4 Sensitivity Characteristics of Dust sensor

### 9-2. Low Ratio Calculation

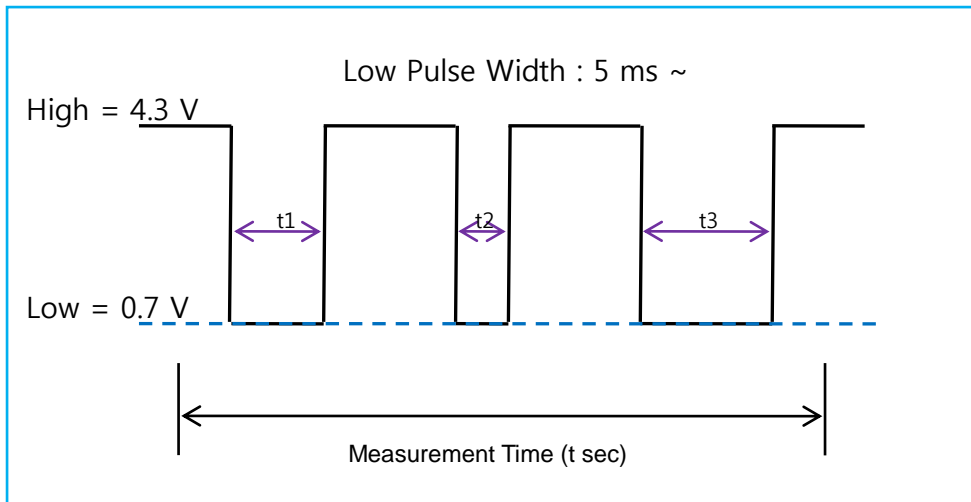
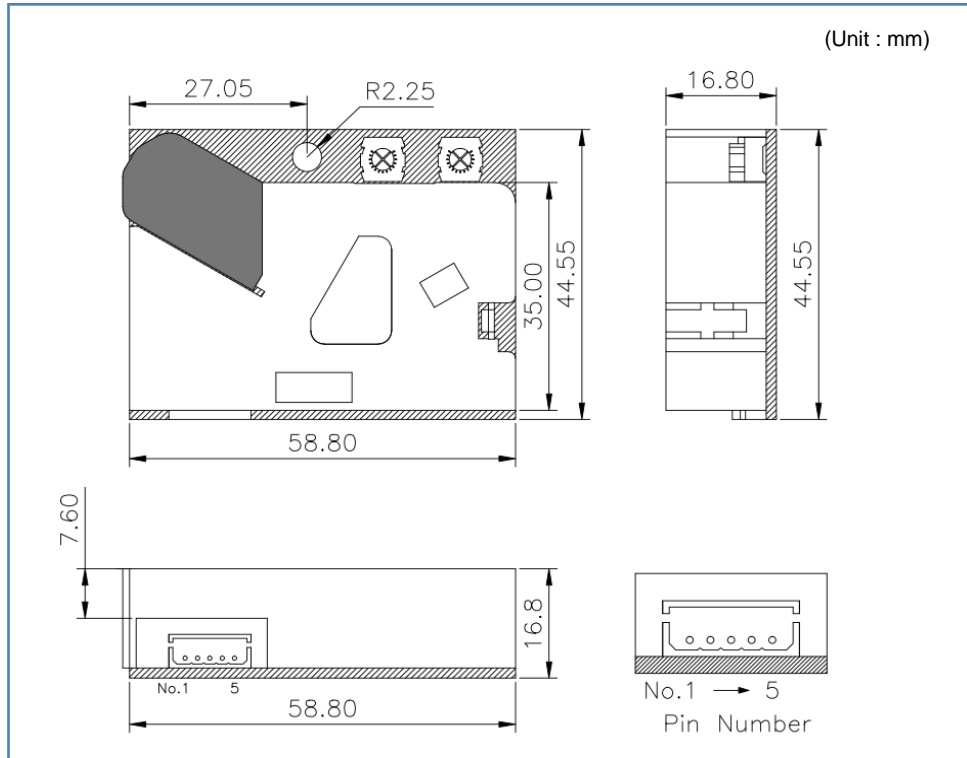


Fig.5 Dust sensor Low Ratio

Low Ratio (%) =  $(t1 + t2 + t3) / t \times 100$

(Measurement Time is calculated by a percentage of sum of Low signals occurred within t(5~30) seconds)

## 10. Dimension



**Fig.6 Dimension**



## 11. Ordering Information

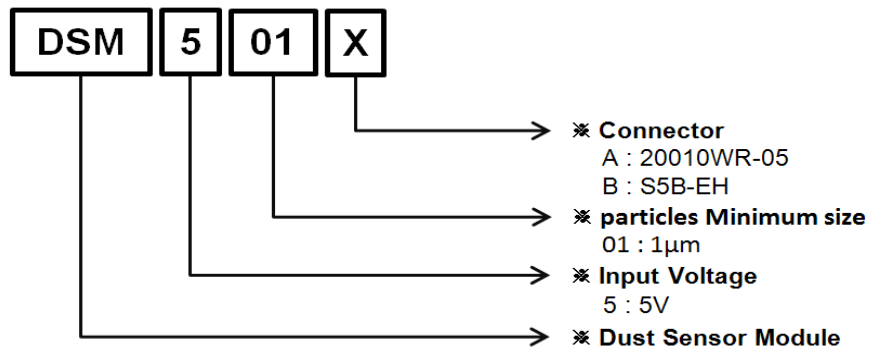


Fig.7 Ordering Information

## 12. Packaging Information

### 12-1. Marking

| Model no. | DSM501A or DSM501B |
|-----------|--------------------|
| Qt'y      | 00 pcs             |

### 12-2. Packaging Details

|                      |                                    |
|----------------------|------------------------------------|
| Module dimensions    | : W59 x H45 x D17 mm               |
| Weight               | : Approx. 25g / ea                 |
| Tray                 | : modules of 25pcs.(5x5) per tray  |
| Outer box            | : 10 trays per box (module 250pcs) |
| Outer Box Dimensions | : W380 x H255 x D320mm             |
| Weight               | : Max. 7.5Kg per outer box         |

### Caution for Use

VR trimmer for sensitivity adjustment is set up at shipping from Samyoung S&C.

Please do not touch the VR trimmer.

Please do not disassemble the device. If the device is reassembled, it may not satisfy the specification.

If the device is used in heavily smoked or dusted environment, more frequent cleaning of the lens and maintenance such as vacuuming or air blowing is recommended.

**Please never use this device for Emergency or Fire alarm application.**



This publication is the proprietary product of Samyoung S&C and is copyrighted, with all rights reserved. Under the copyright laws, no part of this publication may be reproduced or transmitted in any form or by any means, electronic or mechanical, for any purpose, in whole or in part, without the express written permission of Samyoung S&C. Express written permission is also required before a third party may make any use of this publication.

**SAMYOUNG S&C Co.,Ltd.**

Head Office & Factory  
150, Sangdaewon-dong, Jungwon-gu,  
Sunghnam-city, Kyungki-do, 462-807 Korea

Phone: +82-31-741-1830

Fax : +82-31-741-1821

e-mail: [sales@samyoungsnc.com](mailto:sales@samyoungsnc.com) or [support@samyoungsnc.com](mailto:support@samyoungsnc.com)

Homepage: [www.samyoungsnc.com](http://www.samyoungsnc.com)

**SAMYOUNG S&C reserve the rights, without further notice, to change the product specifications and/or the information in this document.**