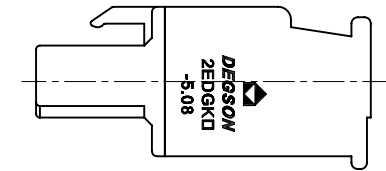
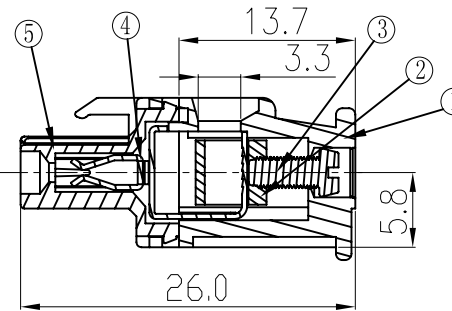
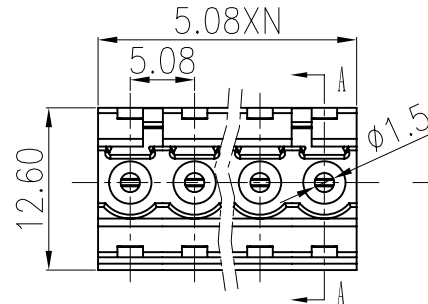
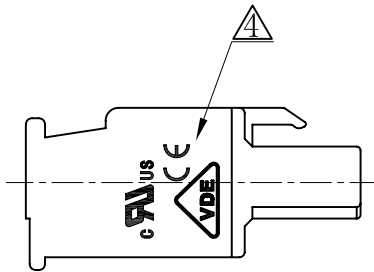
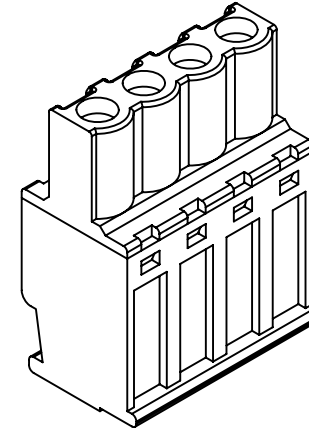
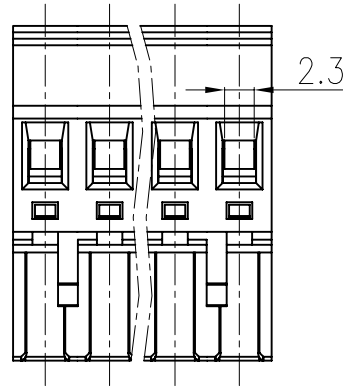


REVISION RECORD					
REV	ECO	DESCRIPTION	DRFT	DATE	
△		Drawing emend	CSX	04/18/06*	
△		工程变更	CSX	11/30/06*	
△		增加UL刻字	CSX	03/12/07*	
△		增加VDE、CE刻字	WLM	02/10/09*	



Section B-B

Notes:

- Pitch:5.08mm ,Poles:2-24P
- Rated voltage/current:UL 300V/15A
VDE 320V/10A
- Operation temperatures:-45°C~+105°C
- Withstanding Voltage:AC2000V/1min
- Insulation Resistance:5000Ω /DC1000V
- Wire Range:28~12AWG, 2.5mm²
- Max. Torque Value:M2.5, 4.08kgf.cm
- Undimensioned Tolerances:

Pitch range in mm		Nominal dimension range in mm					
to	over	to	over	to	over	to	
6	6 to 10	10	30 to 60	60 to 100	100 to 150	150	□
±0.10	±0.15	±0.25	±0.2	±0.3	±0.5	±0.7	±1.0/0.05/10

5	2EDGKA/B-5.08(H) COVER	1028COYXXA(H)	1	PA66	UL94V-0
4	2EDGKA/B-CLAMP	1028B00010(H)	XX	Phoshor Bronze	Ni plated
3	2EDG "—"SCREW-M2.5	S000000980 △	XX	Stell	Cr ³⁺ Zn
2	DG128 CAGE	X000000020(H)	XX	Brass	Ni plated

ITEM	NAME OF PART	NO. OF PART	Q'TY	MATERIAL	NOTES
1	2EDGKA/B-5.08(H) HOUSING	1028A0YXXA(H)	1	PA66	UL94V-0

DETACHED LISTS	MM (INCH)	DFTO HW	DATE 10/06/05*
	TOLERANCES EXCEPT AS NOTED	CHKD	DATE
	.0 ±	MFO	DATE
	.00 ±	APPVL	DATE
.000 ±	MATERIAL :		
ANGLES ± 1'		G.E. :	
THIRD ANGLE PROJECTION		FINISH :	
		SCALE :	

DEGSON 宁波高正电子有限公司 DEGSON ELECTRONICS CO., LTD	
NAME 2EDGKA-5.08-XXP-1Y-00A(H)	
DRAWING NO. 2EDGKA-5.08-E03	SIZE A3
/PART NO.	REV T4 02/12/09*
DO NOT SCALE DRAWING	
SHEET 1 OF 1	