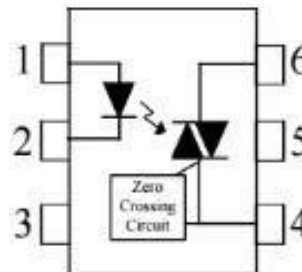


Description

The UMW MOC304X,UMW MOC306X and UMW MOC308X series combine an AlGaAs infrared emitting diode as the emitter which is optically coupled to a monolithic silicon random-phase photo triac in a plastic DIP6 package with different lead forming options.

SCHEMATIC



Features

- High isolation 5000 VRMS
- DC input with zero-cross photo triac output
- Operating temperature range - 40 °C to 100 °C
- REACH & RoHS compliance
- Regulatory Approvals
- UL-approved: UL1577, File No.E492440

PIN DEFINITION

- | | |
|------------|--------------|
| 1. Anode | 4. Terminal |
| 2. Cathode | 5. Substrate |
| 3. NC | 6. Terminal |

Applications

- Solenoid/valve controls
- Lighting controls
- Motor controls
- Temperature controls
- Static AC power switches
- Solid state relays
- Interfacing microprocessors to 115 to 240VAC peripherals

ABSOLUTE MAXIMUM RATINGS

PARAMETER	SYMBOL	VALUE	UNIT	NOTE
INPUT				
Forward Current	I_F	60	mA	
Reverse Voltage	V_R	6	V	
Junction Temperature	T_j	125	°C	
Input Power Dissipation	P_I	100	mW	
OUTPUT				
Off-state Output Terminal Voltage	UMW MOC304X	400	V	
	UMW MOC306X	600		
	UMW MOC308X	800		
Peak Repetitive Surge Current PW=100μs, 120pps	I_{TSM}	1	A	
On-State RMS Current	$I_{T(RMS)}$	100	mA	
Junction Temperature	T_j	125	°C	
Output Power Dissipation	P_O	300	mW	
COMMON				
Total Power Dissipation	P_{tot}	400	mW	
Isolation Voltage	V_{iso}	5000	V _{rms}	1
Operating Temperature	T_{opr}	-40~100	°C	
Storage Temperature	T_{stg}	-55~125	°C	
Soldering Temperature	T_{sol}	260	°C	2

Note 1. AC For 1 Minute, R.H. = 40 ~ 60%

Note 2. For 10 seconds

ELECTRICAL OPTICAL CHARACTERISTICS at Ta=25°C

PARAMETER	SYMBOL	MIN.	TYP.	MAX.	UNIT	TEST CONDITION	NOTE
INPUT							
Forward Voltage	V_F	-	1.24	1.4	V	$I_F=10mA$	
Reverse Current	I_R	-	-	10	μA	$V_R=6V$	
Input Capacitance	C_{in}	-	8.5	25	pF	$V=0, f=1kHz$	
OUTPUT							
Peak Off-state Current, Either Direction	I_{DRM}	-	-	10	nA	$V_{DRM}=\text{Rated } V_{DRM}$ $I_F=0$	3
Peak On-state Current, Either Direction	V_{TM}	-	1.59	2.5	V	$I_{TM}=100mA$	
Critical Rate of Rise of Off-state Voltage	dV/dt	1000	-	-	V/ μs	$V_{PEAK}=\text{Rated } V_{DRM}$	4
TRANSFER CHARACTERISTICS							
LED Trigger Current	UMW MOC3041	I_{FT}	-	-	15	mA	Terminal Voltage = 3V $I_{TM}=100mA$
	UWM MOC3061						
	UMW MOC3081						
	UMW MOC3042						
	UMW MOC3062						
	UMW MOC3082						
UMW MOC3043	-	-	5	5	mA	Terminal Voltage = 3V $I_{TM}=100mA$	
UMW MOC3063							
UMW MOC3083							
Holding Current	I_H	-	237	-	μA		
Isolation Resistance	Riso	10^{12}	10^{14}	-	Ω	DC500V, 40 ~ 60% R.H.	
Floating Capacitance	C_{IO}	-	0.4	-	pF	$V=0, f=1MHz$	

Note3. Test voltage must be applied within dV/dt rating.

Note4. Refer to Fig.15 & Fig.16

CHARACTERISTIC CURVES

Fig.1 Forward Current vs. Ambient Temperature

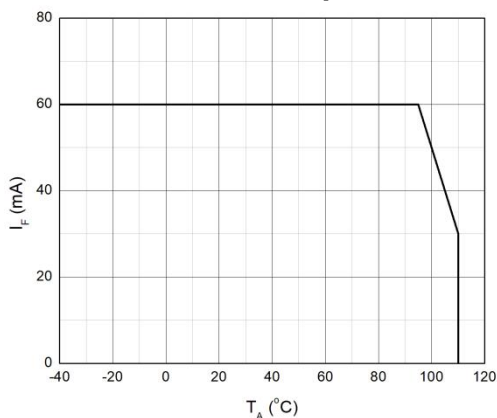


Fig.2 On-state Terminal Current vs. Ambient Temperature

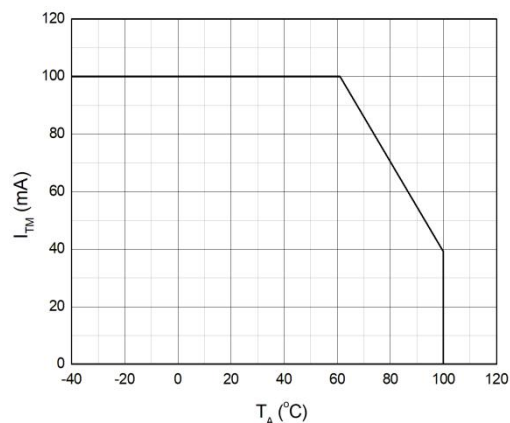


Fig.3 Forward Current vs. Forward Voltage

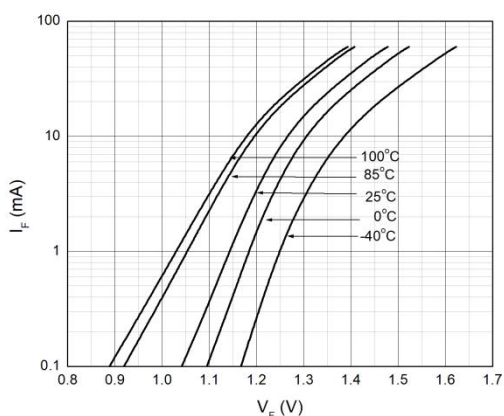


Fig.4 Off-state Terminal Current vs. Ambient Temperature

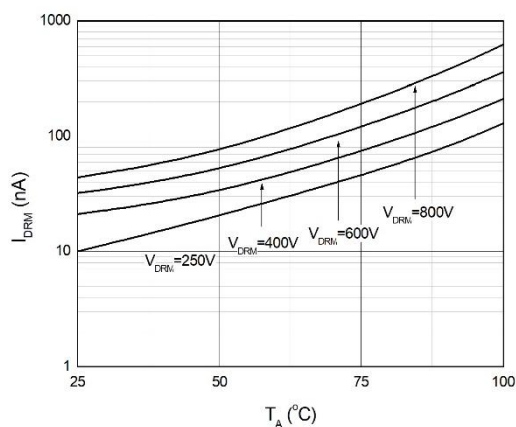


Fig.5 Normalized Off-state Terminal Voltage vs. Ambient Temperature

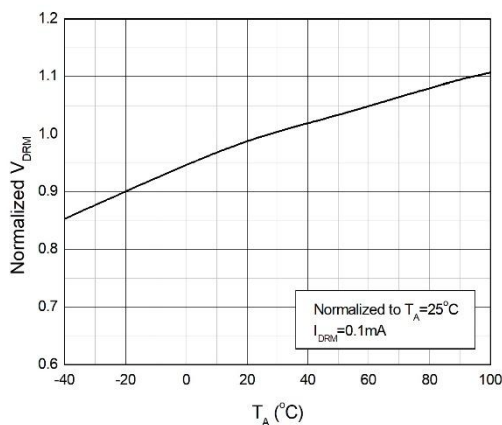
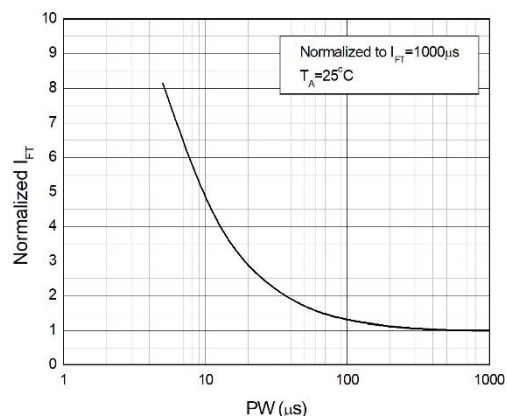


Fig.6 Normalized Trigger Current vs. LED Trigger Pulse Width



CHARACTERISTIC CURVES

Fig.7 Normalized Trigger Current vs. Ambient Temperature

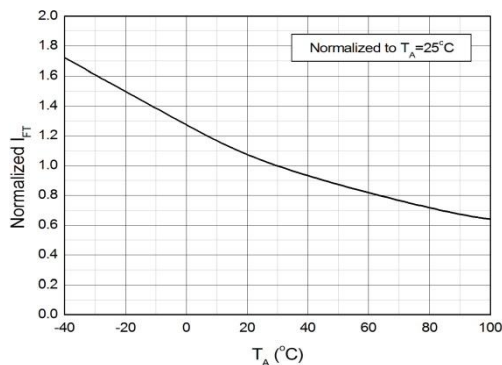


Fig.8 On-state Terminal Voltage vs. Ambient Temperature

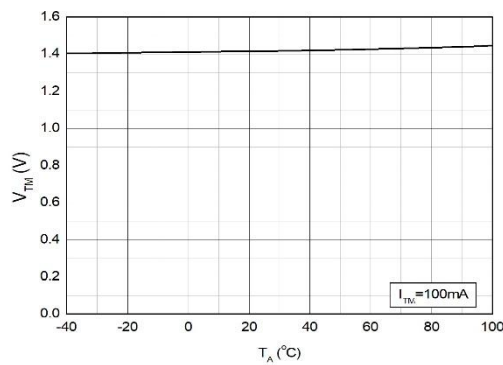


Fig.9 On-state Terminal Voltage vs. On-state Terminal Current

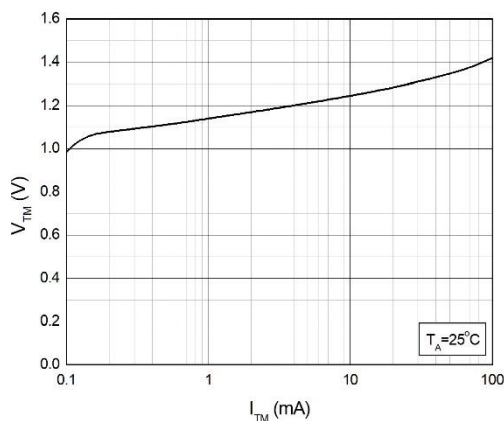


Fig.10 Holding Current vs. Ambient Temperature

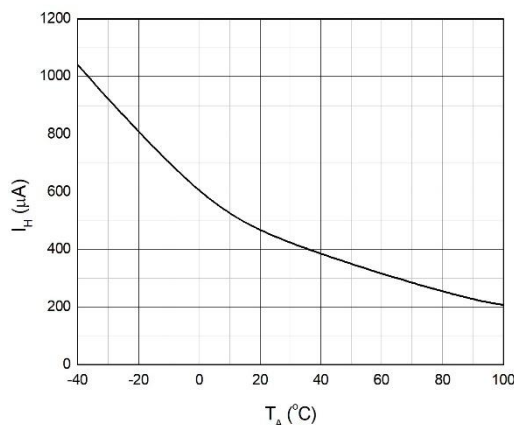


Fig.11 Normalized Inhibit Voltage vs. Ambient Temperature

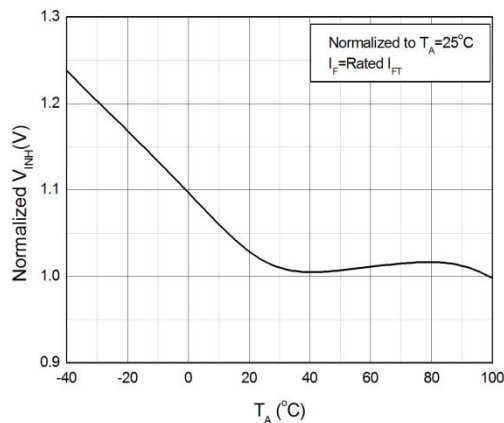
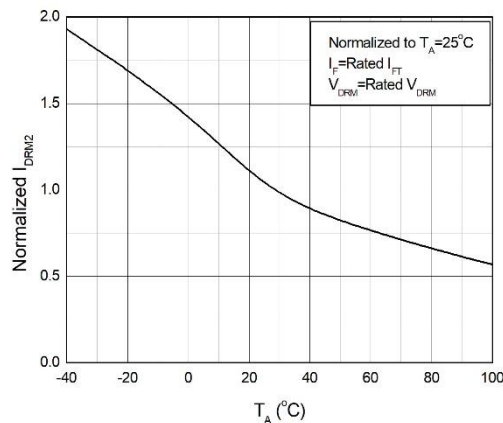


Fig.12 Normalized Leakage in Inhibit State vs. Ambient Temperature



CHARACTERISTIC CURVES

Fig.13 Turn On Time vs. Forward Current

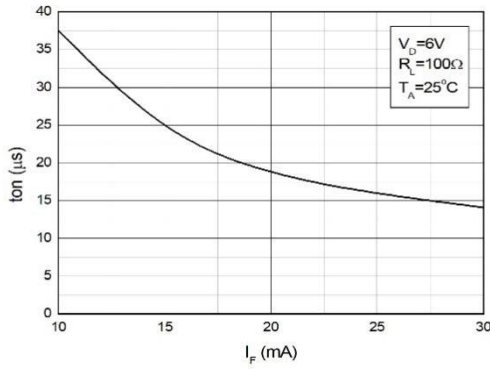
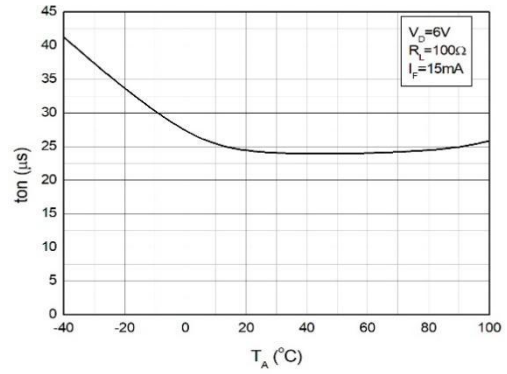


Fig.14 Turn On Time vs. Ambient Temperature



TEST CIRCUITS

Fig.15 Test Circuits of Turn On Time

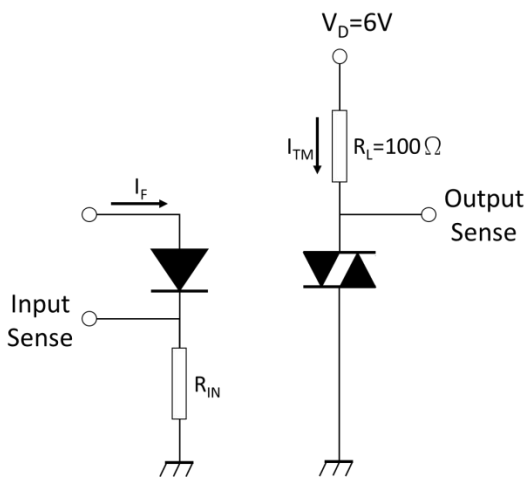


Fig.16 Waveforms of Turn On Time

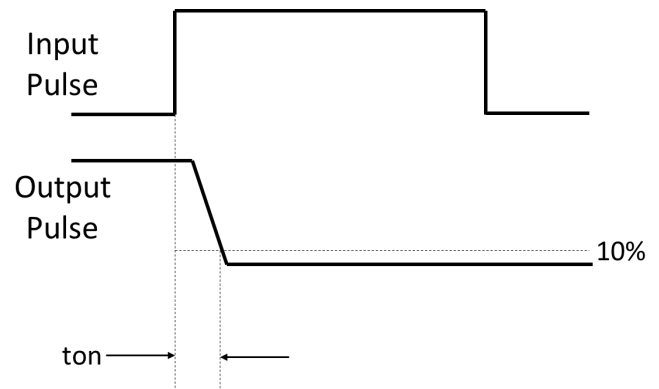


Fig.17 Test Circuits of dV/dt

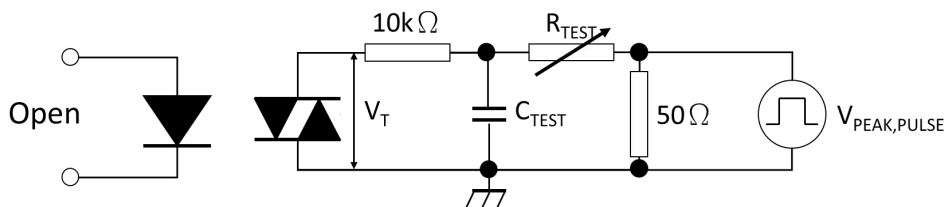
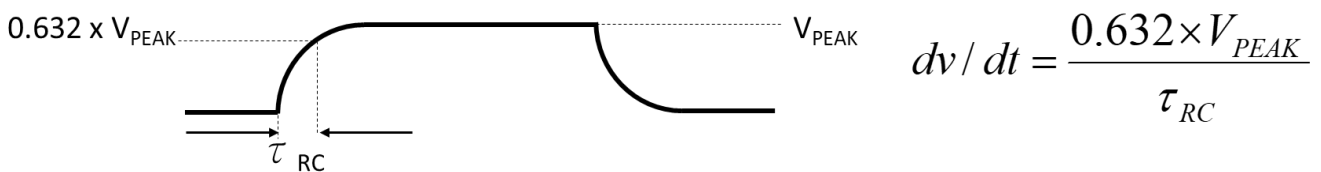
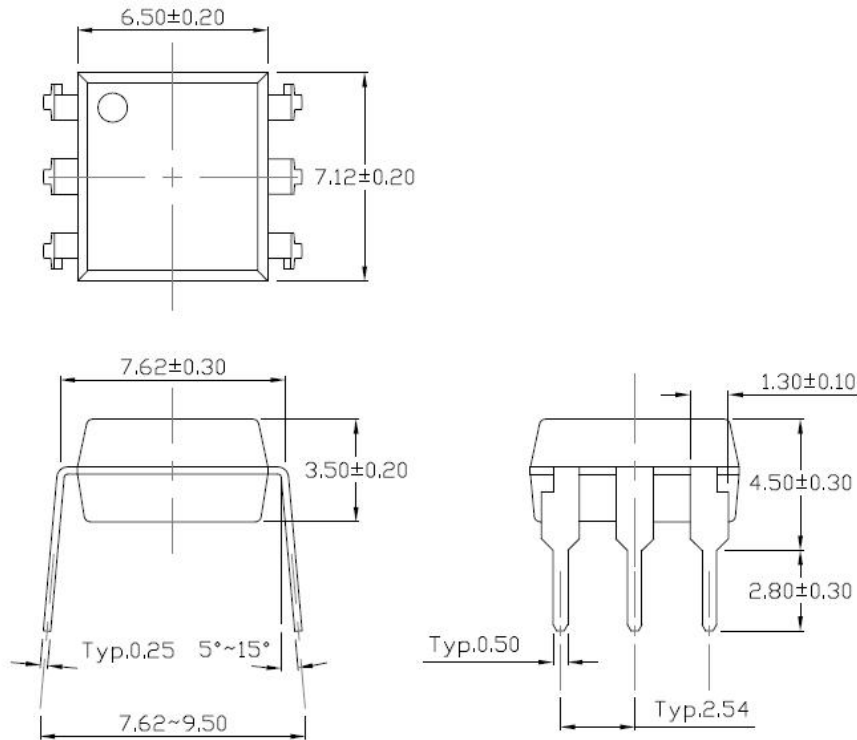


Fig 18 Waveforms of dV/dt

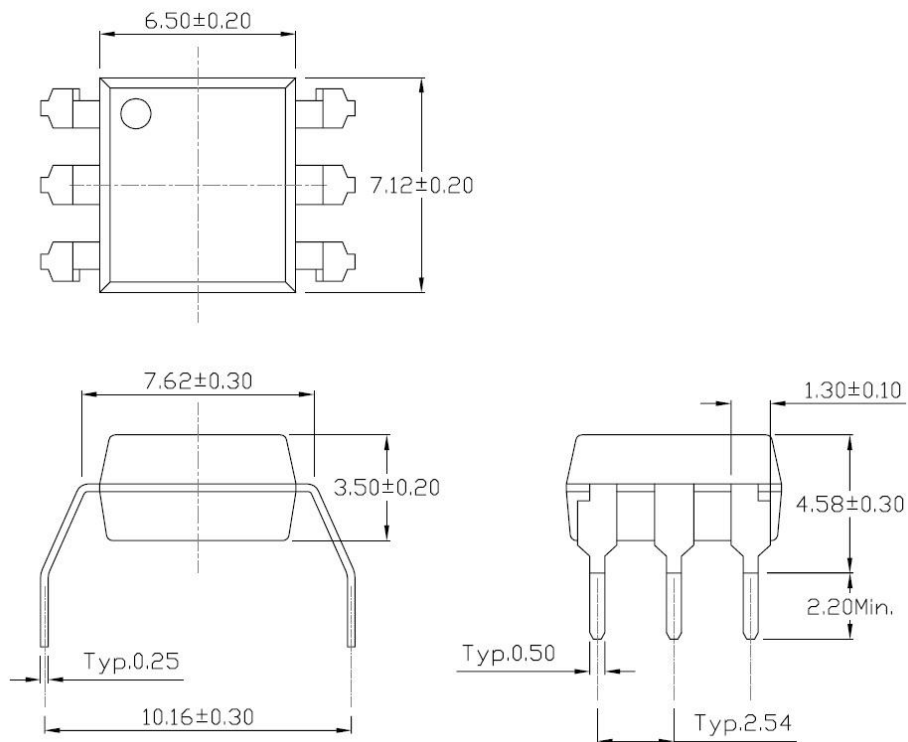


PACKAGE DIMENSIONS (Dimensions in mm unless otherwise stated)

Standard DIP – Through Hole (DIP Type)

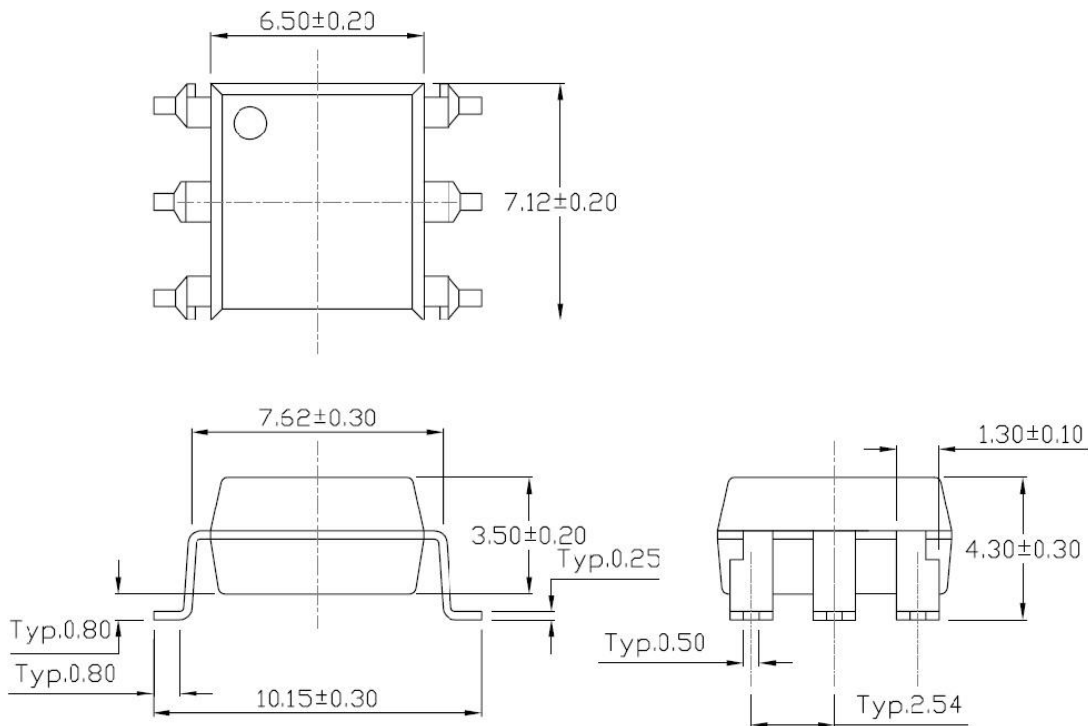


Gullwing (400mil) Lead Forming Through Hole (M Type)

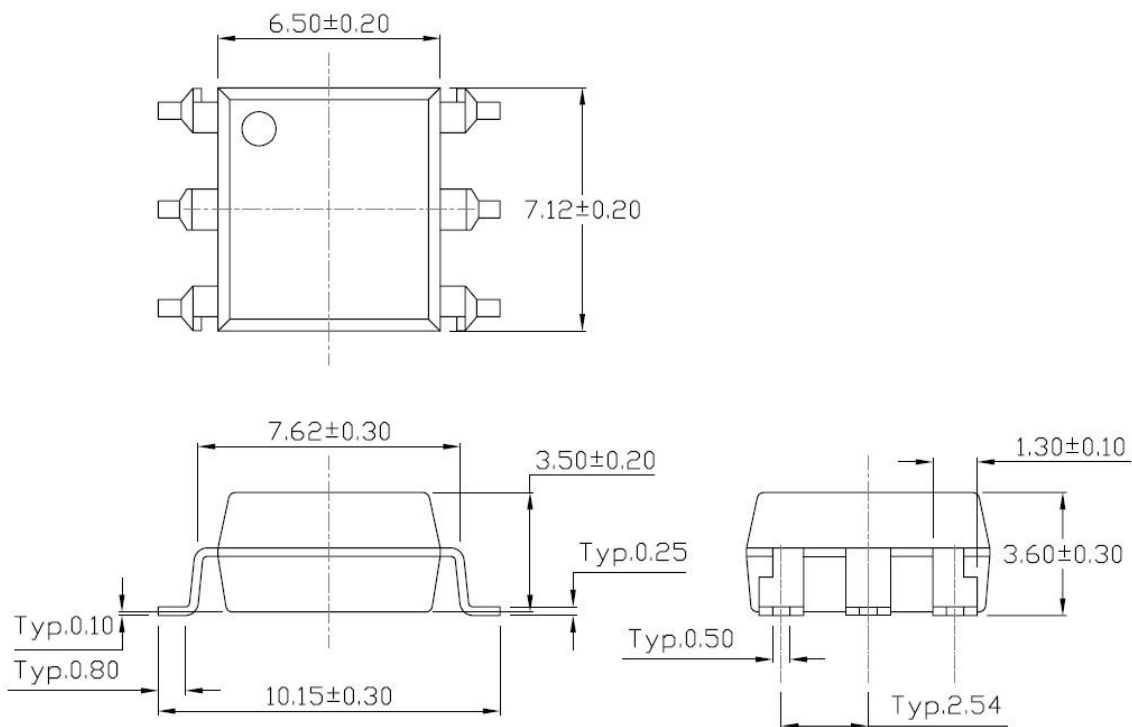


PACKAGE DIMENSIONS (Dimensions in mm unless otherwise stated)

Surface Mount Lead Forming (S Type)

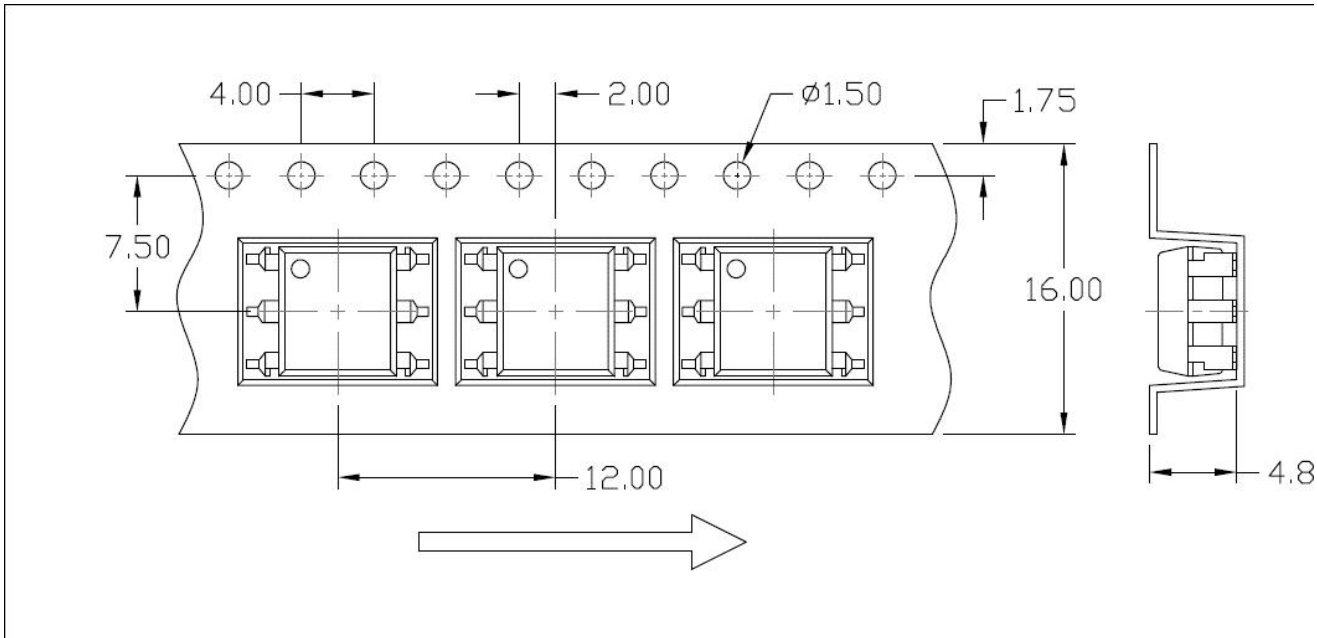


Surface Mount (Low Profile) Lead Forming (SL Type)

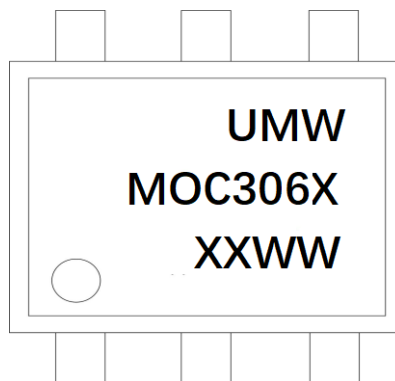


CARRIER TAPE SPECIFICATIONS (Dimensions in mm unless otherwise stated)

Option S(T1) & SL(T1)



Printing



- The "X" in the second line of printing stands for IFT digits: 0 / 1 / 2 / 3
- In the third line, the word "XX" stands for the year
- In the third line, WW stands for period

Order information

Order Code	Package	Baseqty	Deliverymode
UMW MOC304XM	DIP-6	3250	Tube and box
UMW MOC304XSM	SOP-6	1000	Tape and reel
UMW MOC306XM	DIP-6	3250	Tube and box
UMW MOC306XSM	SOP-6	1000	Tape and reel
UMW MOC308XM	DIP-6	3250	Tube and box
UMW MOC308XSM	SOP-6	1000	Tape and reel