

AN3215K, AN3215S

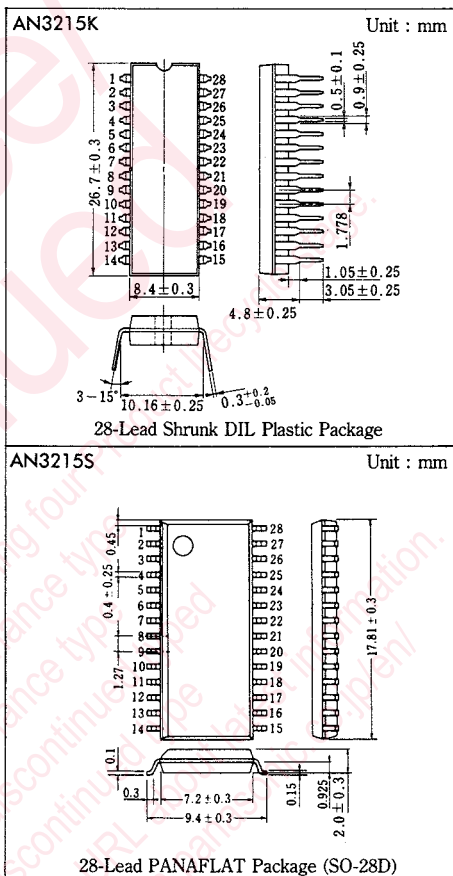
VTR Recording Video Signal Processing Circuits

Outline

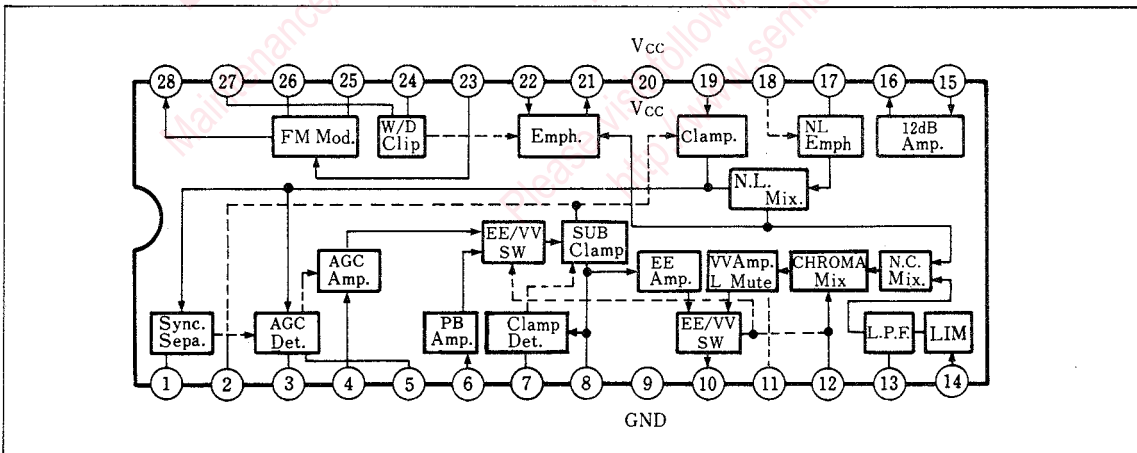
The AN 3215K and the AN3215S are integrated circuits designed for VTR recording video signal processing circuits.

Features

- Dynamic emphasis characteristics (in accordance with VHS standard): 7.0dB (at $f=1\text{MHz}$, input level = -20dB)
- Built-in carrier interleaving circuit
- Built-in low pass filter. (Sync-separation circuit)
- Supply voltage : $V_{cc}=5\text{V}$



Block Diagram



■ Absolute Maximum Ratings (Ta=25°C)

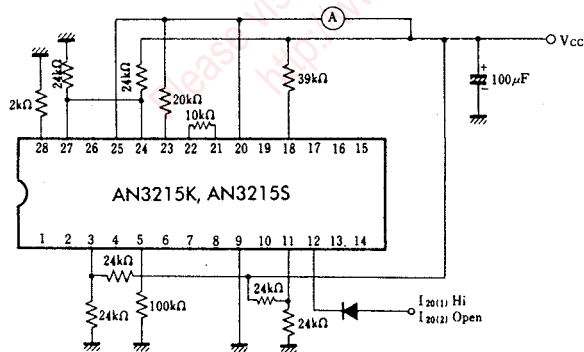
Item	Symbol	Rating	Unit
Supply Voltage	V _{CC}	6.0	V
Power Dissipation(Ta=70°C)	P _D	250	mW
Operating Ambient Temperature	T _{opr}	-20~+70	°C
Storage Temperature	T _{stg}	-55~+150	°C

■ Electrical Characteristics (V_{CC}=5V, Ta=25°C)

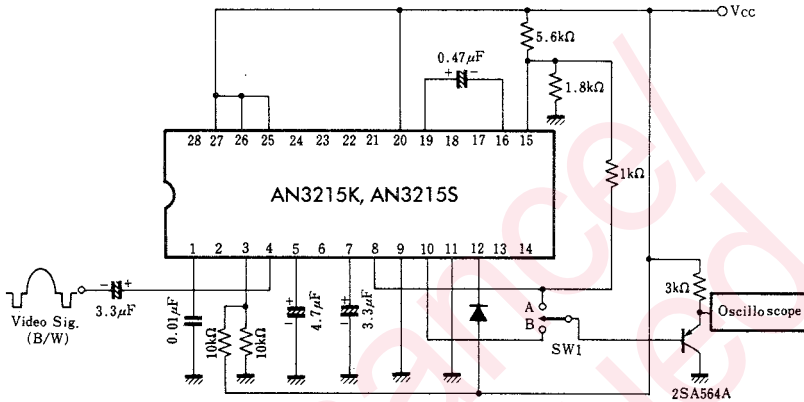
Item	Symbol	Test Circuit	Condition	min.	typ.	max.	Unit
Circuit Current(1)	I ₂₀₍₁₎	1	Pin ⑫ Hi (Rec)	14.5		35.5	mA
Circuit Current(2)	I ₂₀₍₂₎	1	Pin ⑫ Open (PB)	14.5		35.5	mA
AGC Output Amplification	v ₈	2	Pin ⑫ Hi	0.4		0.8	V _{P-P}
AGC Control Sensitivity	β ₈	2	Pin ⑫ Hi			1.5	dB
PB Amp. Gain	G ₆₋₈	3	Pin ⑫ Open	6.8		9.9	dB
12dB Amp. Gain	G ₁₅₋₁₆	3		10.4		13.4	dB
FM Oscillation Frequency	f _o	4	Pin ⑫ Hi, Co=39pF, Ro=12kΩ	2.9		3.9	MHz
FM Output 2nd High Frequency	2f _o	4	Pin ⑫ Hi, Co=39pF, Ro=12kΩ			-33	dB
FM Oscillation Output Amplification	v ₂₈	4	Pin ⑫ Hi, Co=39pF, Ro=12kΩ	0.65		1.35	V _{P-P}
Frequency Control Sensitivity FM Oscillation	β ₂₈	4	Pin ⑫ Hi, Co=39pF, Ro=8.2~15kΩ	11.4		14.5	kHz/μA
Sync. Spea. Input Sensitivity	S ₁₉	5	Video Input V/S=5/2	0.45			V _{P-P}
Sync. Spea. Output Amplification	v ₂	5	Video Input V/S=5/2	4.3			V _{P-P}
NL Limiter Gain	v ₁₇₋₂₁	6	Pin ⑫ Hi	30		52	mV _{P-P}
NL Limiter Output Amplification(1)	v ₂₁₍₁₎	6	Pin ⑫ Hi	48		72	mV _{P-P}
NL Limiter Output Amplification(2)	v ₂₁₍₂₎	6	Pin ⑫ Hi, Pin ⑬ Lo	16		37	mV _{P-P}
NC Limiter Gain	v ₁₄₋₁₀	7	Pin ⑫ Open	30		70	mV _{P-P}
NC Limiter Output Amplification	v ₁₀	7	Pin ⑫ Open	65		125	mV _{P-P}
EE Amp. Gain	G ₈₋₁₀	2	Pin ⑫ Hi	9.7		11.6	dB
VV Amp. Gain	v ₁₉₋₁₀	3	Pin ⑫ Open	1.65		2.15	V _{P-P}
Chroma Amp. Gain	G ₁₂₋₁₀	7		5.3		8.8	dB
EE/VV Crosstalk	CT ₁₉₋₁₀	8	E≧4.0V			-40	dB
Mute Crosstalk	CT ₁₉₋₁₀	8	Pin ⑫ Lo, Pin ⑪ Hi			-40	dB
EE/VV Changeover Sensitivity	S ₁₂	8		4			V
FM Oscillation Carrier Interleave	Δf _o *	9	Pin ⑫ Hi	5.9		9.9	kHz
V offset	Δv ₁₉₋₁₀ *	3	Pin ⑫ Lo	-30		110	mV

Note : Operating Supply Voltage Range V_{CC}=4.5~5.5V * It is design value but not a guaranteed value.

Test Circuit 1 (I₂₀₍₁₎, I₂₀₍₂₎)

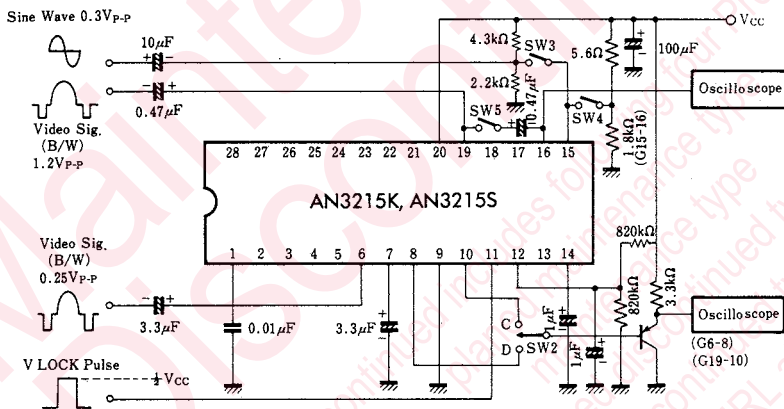


Test Circuit 2 ($v_B, \Delta v_B, G_{8-10}$)



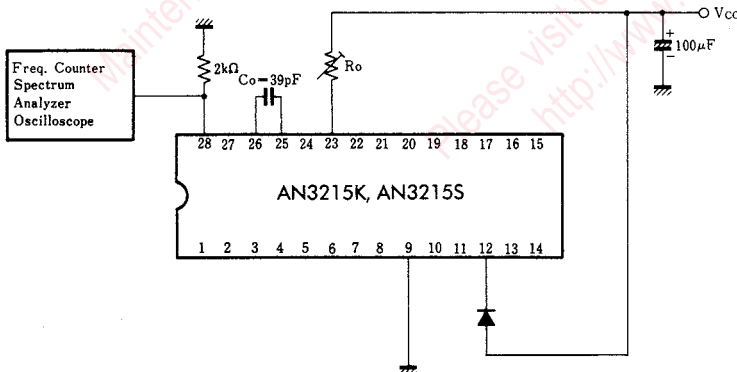
- U_B
- IN: 1.0V_{P-P}
- ΔU_B
- Output amplification change between IN: 0.5V_{P-P} to 2.0V_{P-P}
- G_{8-10}
- IN: 1.0V_{P-P}
- Ratio of output when SW1 is B to output when SW1 is A

Test Circuit 3 ($G_{6-8}, G_{15-16}, v_{19-10}, \Delta v_{19-10}$)



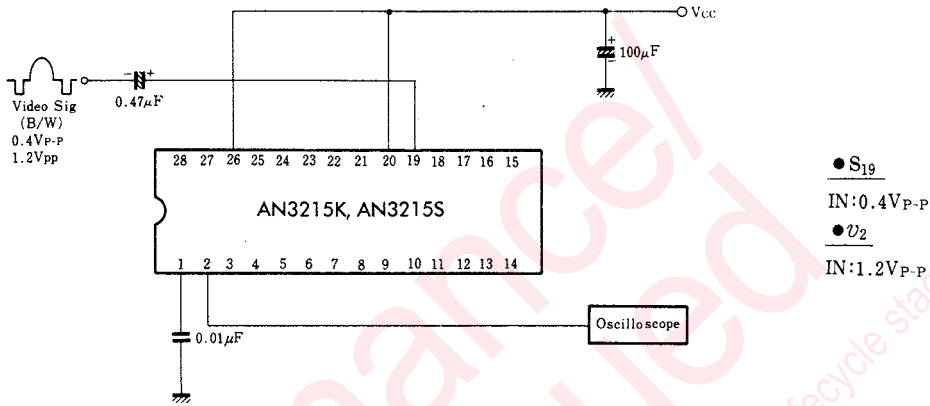
- G_{6-8}
- IN: pin ⑥ 0.25V_{P-P}
- SW2: D
- G_{15-16}
- IN: pin ⑮ 0.3V_{P-P}
- SW3: ON
- SW4: OFF
- SW5: OFF
- U_{19-10}
- IN: pin ⑱ 1.2V_{P-P}
- SW2: C
- SW5: OFF
- ΔU_{19-10}
- IN: pin ⑱ 1.2V_{P-P}
- SW2: C
- SW5: OFF

Test Circuit 4 ($f_0, 2f_0, v_{28}, \beta_{28}$)

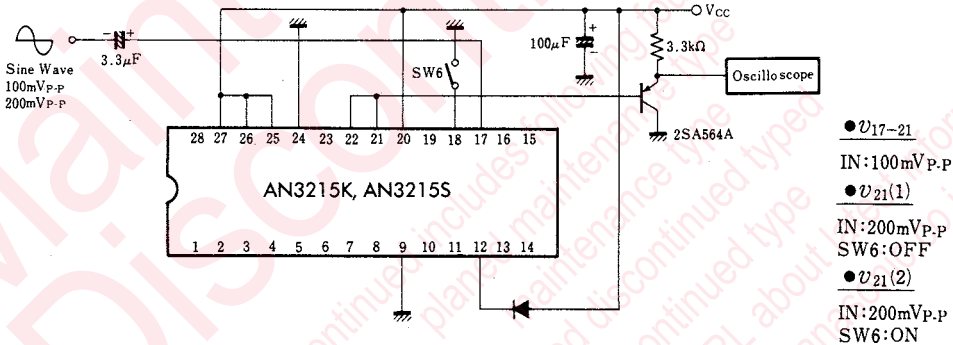


- $f_0, 2f_0, v_{28}$
- $R_0 = 12k\Omega$
- β_{28}
- Measure a change of oscillation frequency when $R_0 = 8.2k\Omega \sim 15k\Omega$

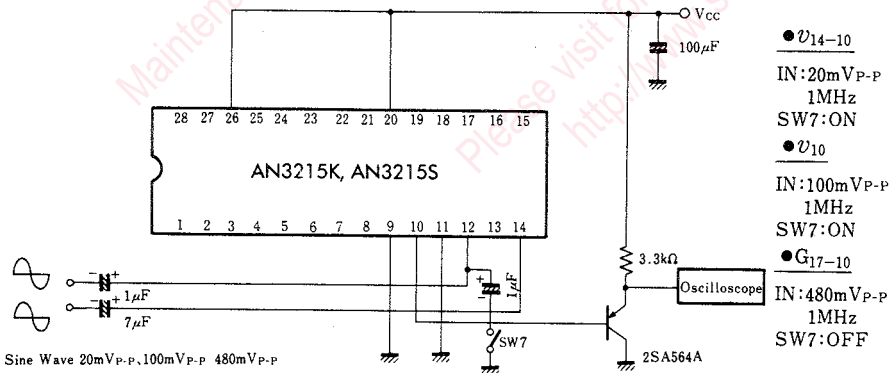
Test Circuit 5 (S_{19} , v_2)



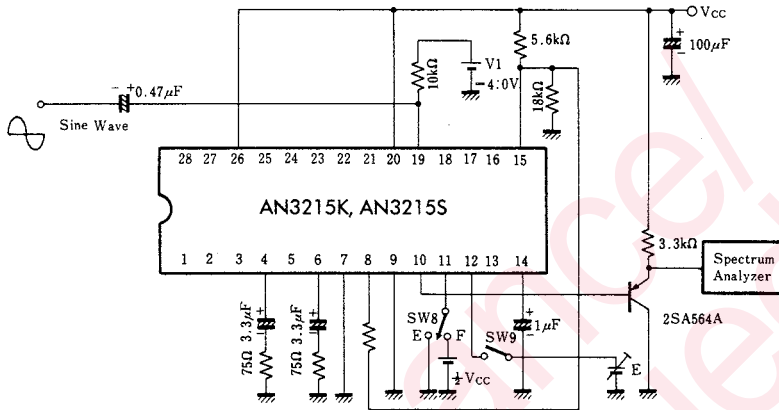
Test Circuit 6 (v_{17-21} , $v_{21(1)}$, $v_{21(2)}$)



Test Circuit 7 (v_{14-10} , v_{10} , G_{12-10})

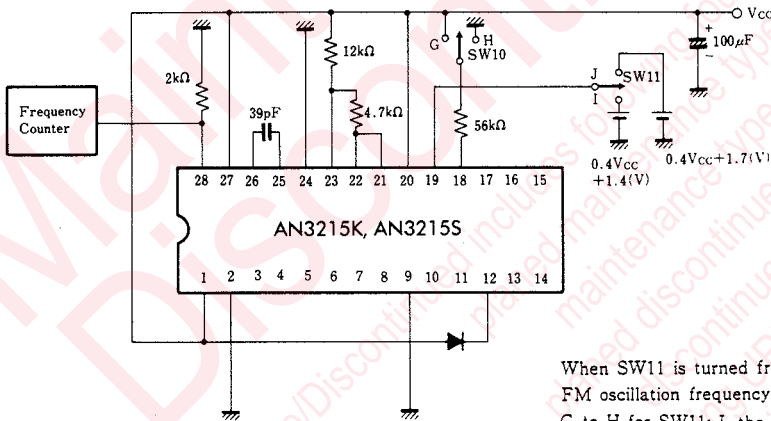


Test Circuit 8 (CT₁₉₋₁₀, CT'₁₉₋₁₀, S₁₂)



- **CT₁₉₋₁₀**
IN: 0.25V_{P-P} 1MHz
Measure the attenuation when SW9 is turned from OFF to ON.
- **CT'₁₉₋₁₀**
IN: 0.25V_{P-P} 1MHz
Measure the attenuation when SW8 is turned from E to F.
- **S₁₂**
IN: 0.25V_{P-P} 1MHz
Pin 10 voltage when the output signal for SW9:ON becomes -40dB or less.

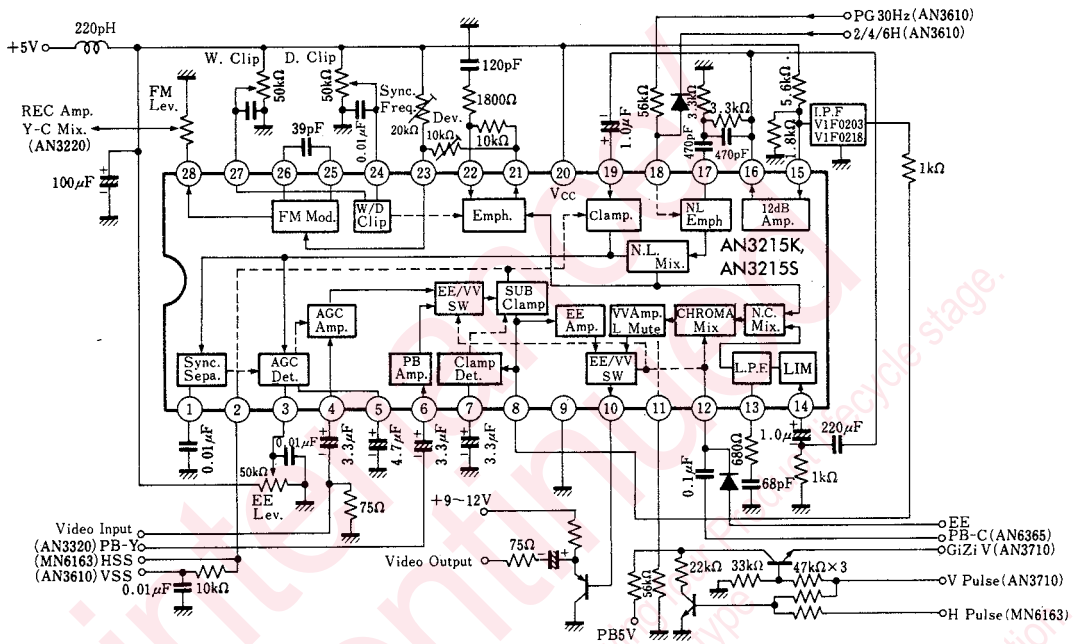
Test Circuit 9 (Δf₀)



When SW11 is turned from I to J for SW10:G, the difference of FM oscillation frequency is $|\Delta f_1|$. When SW10 is turned from G to H for SW11: I, the difference of FM oscillation frequency is $|\Delta f_2|$. At this time, FM carrier interleave ratio Δf_0 is given by the following equation.

$$\Delta f_0 = \frac{|\Delta f_2|}{|\Delta f_1|} 250 \text{ (kHz)}$$

■ Application Circuit



■ Pin

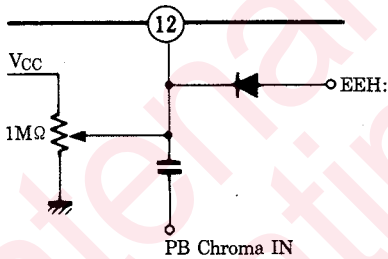
Pin No.	Pin Name	Pin No.	Pin Name
1	Sync Tip Level Detect	15	12dB Amp. Input
2	Sync Output	16	12dB Amp. Output
3	EE Level Adjustment	17	Non Linear Emphasis Sub-side Input
4	Video Sig. Input During Rec	18	PG Input & 2/4/6H Select
5	AGC Detection	19	Main Clamp Input
6	Video Sign. Input During PB	20	V _{cc}
7	Sub Clamp Detection	21	Main Emphasis Output
8	Sub Clamp Output	22	FB Amp. Input
9	GND	23	Mod. Input
10	EE/VV Output	24	Dark Clip Level Adjustment
11	Dummy Horizontal Synchronize Pulse Input	25	Mod.
12	PB Chroma Input	26	Mod.
13	Noise Canceller L.P.F.	27	White Clip Level Adjustment
14	Noise Canceller H.P.F. Side Input	28	FM Output

Notes for Use

In the electrical characteristics table of dummy V offset V_{19-10} , -30 to 110 (mV) is listed as reference value. If exceeded beyond this max. value, V synchronization for special regeneration is not made, resulting in being under minimum of the value. In such cases, a skew may be generated on the top of the display screen.

In these specifications for product, the reference value, from the view point of the set quality purpose, is listed just for reference for design. However, it is very unstable if used for ICs. So please be sure to take some measures such as external adjustment, etc. for this point when you use.

(Example of external adjustment circuit)



Maintenance/Discontinued includes following four Product lifecycle stage.
 Discontinued
 planned maintenance type
 maintenance type
 planned discontinued type
 discontinued type
 Please visit following URL about latest information.
<http://www.semicon.panasonic.co.jp/en/>

Request for your special attention and precautions in using the technical information and semiconductors described in this book

- (1) If any of the products or technical information described in this book is to be exported or provided to non-residents, the laws and regulations of the exporting country, especially, those with regard to security export control, must be observed.
- (2) The technical information described in this book is intended only to show the main characteristics and application circuit examples of the products. No license is granted in and to any intellectual property right or other right owned by Panasonic Corporation or any other company. Therefore, no responsibility is assumed by our company as to the infringement upon any such right owned by any other company which may arise as a result of the use of technical information described in this book.
- (3) The products described in this book are intended to be used for standard applications or general electronic equipment (such as office equipment, communications equipment, measuring instruments and household appliances).
Consult our sales staff in advance for information on the following applications:
 - Special applications (such as for airplanes, aerospace, automobiles, traffic control equipment, combustion equipment, life support systems and safety devices) in which exceptional quality and reliability are required, or if the failure or malfunction of the products may directly jeopardize life or harm the human body.
 - Any applications other than the standard applications intended.
- (4) The products and product specifications described in this book are subject to change without notice for modification and/or improvement. At the final stage of your design, purchasing, or use of the products, therefore, ask for the most up-to-date Product Standards in advance to make sure that the latest specifications satisfy your requirements.
- (5) When designing your equipment, comply with the range of absolute maximum rating and the guaranteed operating conditions (operating power supply voltage and operating environment etc.). Especially, please be careful not to exceed the range of absolute maximum rating on the transient state, such as power-on, power-off and mode-switching. Otherwise, we will not be liable for any defect which may arise later in your equipment.
 - Even when the products are used within the guaranteed values, take into the consideration of incidence of break down and failure mode, possible to occur to semiconductor products. Measures on the systems such as redundant design, arresting the spread of fire or preventing glitch are recommended in order to prevent physical injury, fire, social damages, for example, by using the products.
- (6) Comply with the instructions for use in order to prevent breakdown and characteristics change due to external factors (ESD, EOS, thermal stress and mechanical stress) at the time of handling, mounting or at customer's process. When using products for which damp-proof packing is required, satisfy the conditions, such as shelf life and the elapsed time since first opening the packages.
- (7) This book may be not reprinted or reproduced whether wholly or partially, without the prior written permission of our company.

This datasheet has been downloaded from:

www.DatasheetCatalog.com

Datasheets for electronic components.