



## 5.0mm Round Type LED Lamps

PART NO: FYL-5013GD

REV NO: 1.0

PAGE: 1/2

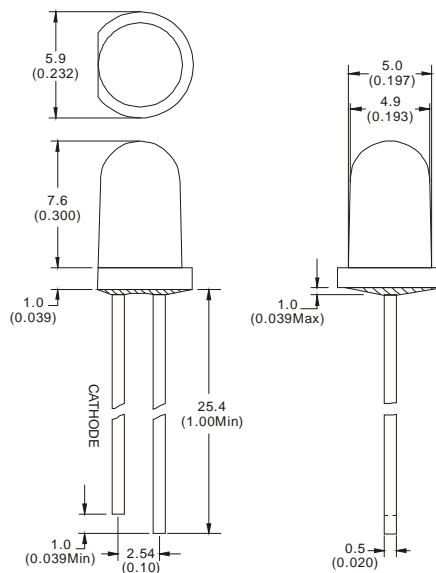
### ■ Features:

- Standard brightness.
- Choice of various viewing angles.
- Diffused, Transparent and Water clear lens are available.
- Popular T-1 3/4 diameter package.
- IC compatible /Low current capability.

### ■ Descriptions:

- The LED lamps are available with different colors, intensities, epoxy colors etc.

### ■ Package Dimensions:



### NOTES:

1. All dimension are in millimeters(inch).
2. An epoxy meniscus may extend about 1.5mm down to the lead.
3. Tolerances unless dimension  $\pm 0.25$ mm.

CHECKED: YING.L.M

APPROVED: CHEN.J.J

DATE:2003/03/10



## 5.0mm Round Type LED Lamps

PART NO: FYL-5013GD

REV NO: 1.0

PAGE: 2/2

### ■ Absolute Maximum Ratings at Ta=25°C

Parameter	Symbol	Rating	Unit
Forward Current	$I_F$	30	mA
Power Dissipation	$P_d$	80	mW
Reverse Voltage	$V_R$	5	V
Peak Forward Current (Duty 1/10 @1KHZ)	$I_{PF}$	150	mA
Operation Temperature	$T_{OPR}$	-40 to +80	°C
Storage Temperature	$T_{STG}$	-40 to +85	°C
Lead Soldering Temperature	$T_{SOL}$	Max.260± 5°C for 3 sec Max. (1.6mm from the base of the epoxy bulb)	°C

### ■ Electronic Optical Characteristics at Ta=25°C

Items	Symbol	Min.	Typ.	Max.	Unit	Condition
Forward Voltage	$V_F$	-	2.20	2.50	V	$I_F=20mA$
Reverse Current	$I_R$	-	-	20	uA	$V_R=5V$
Peak Wavelength	$\lambda_P$	-	570	-	nm	$I_F=20mA$
Spectrum Line Half width	$\Delta \lambda$	-	30	-	nm	$I_F=20mA$
Luminous Intensity	$I_V$	-	20	-	mcd	$I_F=20mA$
Viewing Angle	$2\theta_{1/2}$	-	60	-	degree	$I_F=20mA$

### ■ Specifications for Bin grading

(unit: mcd  $I_F=20mA$ )

Bin Code	Min.	Max.	Bin Code	Min.	Max.

### ■ Specifications for Voltage

(unit: V  $I_F=20mA$ )

Rank					
Voltage					

### ■ Specifications for Dominant Wavelength

(unit: nm  $I_F=20mA$ )

Rank					
Dominant Wavelength					