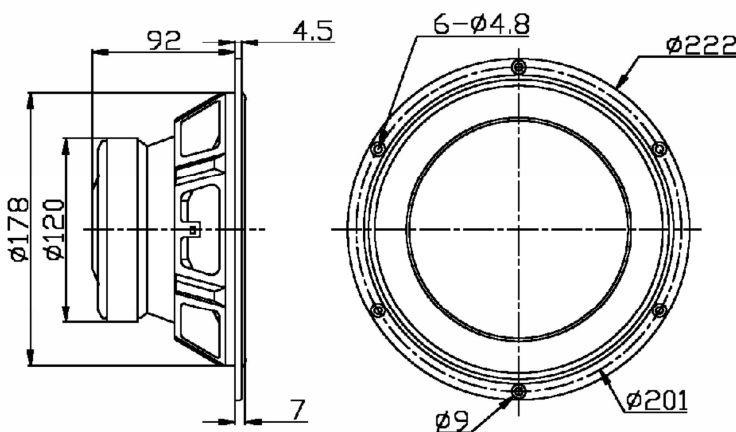
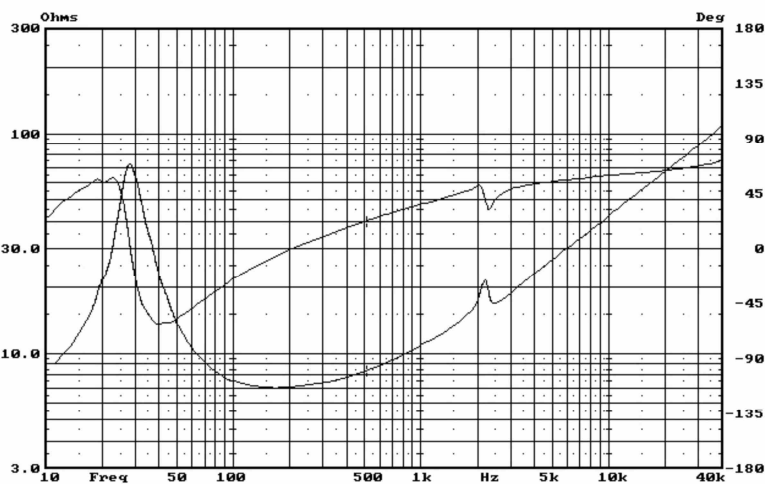
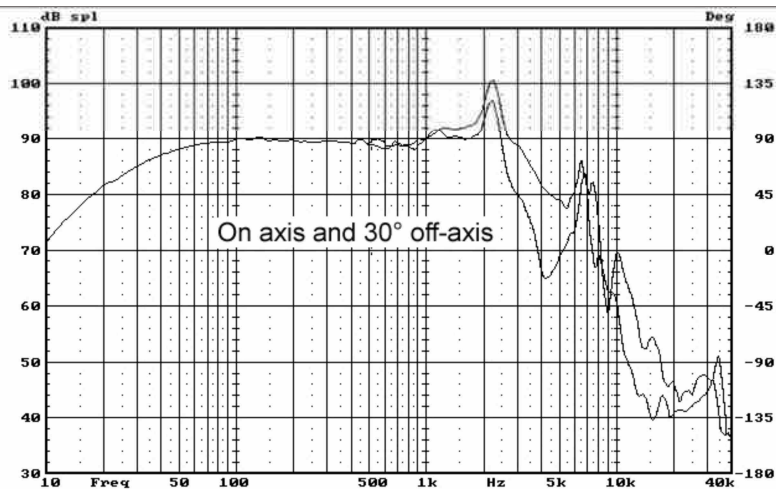


Mid-bass speaker M8N-1B

8"
7"
6"
5"
4"



Specification

- Rated Impedance 8Ω
- Resonance Frequency 29Hz
- Rated Power 80W
- Peak Power 160W
- Sensitivity(2.83V/1m) 88dB
- Weight 2.3kg
- Diameter 35mm
- DC Resistance 6.5Ω
- Width 17.5mm
- Fromer SV
- Frame Kapton
- Category External
- Material Ferrite
- BL Value 9.6 N/A
- Magnetic gap height 6.0mm
- Xmax 5.8mm
- Compliance 822uM/N
- QMS 5.02
- QES 0.5
- Qts 0.45
- Mms 36.5g
- Vas 53.5L
- SD(cm²) 208,67
- Recommend Cabinet
- Type Inverted type
- Vb 22L
- FB 34Hz
- F3 40Hz

