

# ***MESSRS.***

---

## **SPECIFICATION FOR APPROVAL**

### **承 認 書**

<b>Product</b>	<b>DYNAMIC RECEIVER</b>
<b>Part No.</b>	<b>SD152BH</b>
<b>Customer Approval</b>	

<b>Approved By</b>	<b>Checked By</b>	<b>Made By</b>
工程 部 王台平 JAN-11-2005	工程 部 劉民祥 JAN-11-2005	工程 部 許俊程 JAN-11-2005



**ADVANCED ACOUSTIC TECHNOLOGY CORP.**

**苙 翔 科 技 股 份 有 限 公 司**



2F, No.207, Sec. 6, Chung Shan N. Rd., Taipei.

TEL: +886-2-88665255

FAX: +886-2-88665250

<http://www.aatc.com.tw>

# 1. SPECIFICATION

SD152BH

ITEMS.		SPECIFICATIONS
01	Type	Dynamic 31mm receiver unit
02	Sensitivity (S.P.L)	92dB $\pm$ 3 dB at 1kHz 60mV with IEC 318 coupler
03	Impedance.	150 Ohm $\pm$ 20% at 1KHz
04	Magnet Field Intensity.	Axial – dB , Radial –dB at 1KHz
05	Nominal Input Power	30 mW
06	Max. Input Power.	Must be normal at a White noise , 50mW for 1 minute.
07	Total Harmonics Distortion	Max 5 % at 1K Hz.
08	Operation temperature	-30°C to +70°C
09	Storage temperature	-40°C to +85°C
10	Weight.	2.0g $\pm$ 0.3g

## 2. MEASURING METHOD

### 2-1. Test Condition

#### STANDARD

Temperature : 15 ~ 35°C

Relative humidity : 45% ~ 85%,

Atmospheric pressure : 860mbar to 1060mbar.

#### JUDGEMENT

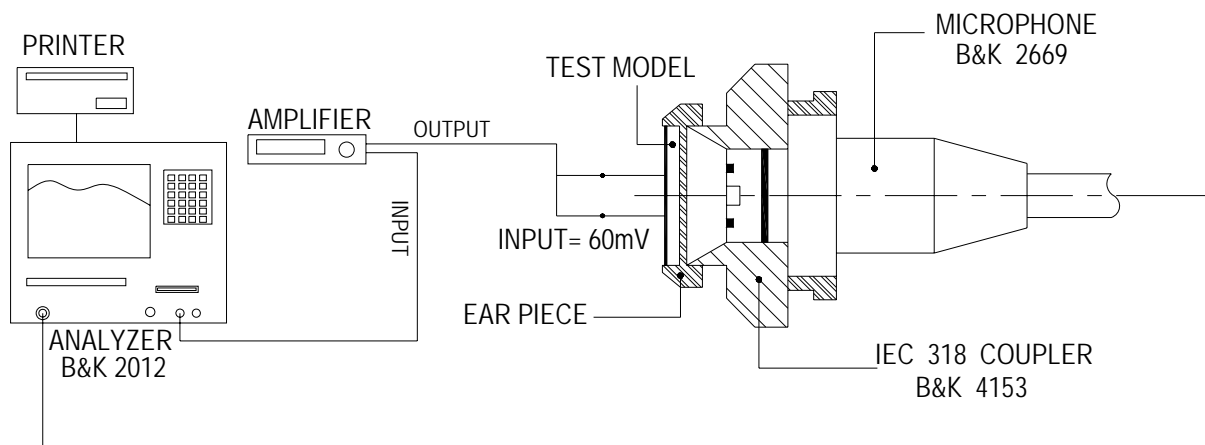
Temperature : 20 $\pm$ 3°C

Relative humidity : 60% ~ 70%,

Atmospheric pressure : 860mbar to 1060mbar

## 2-2. Standard Test Fixture

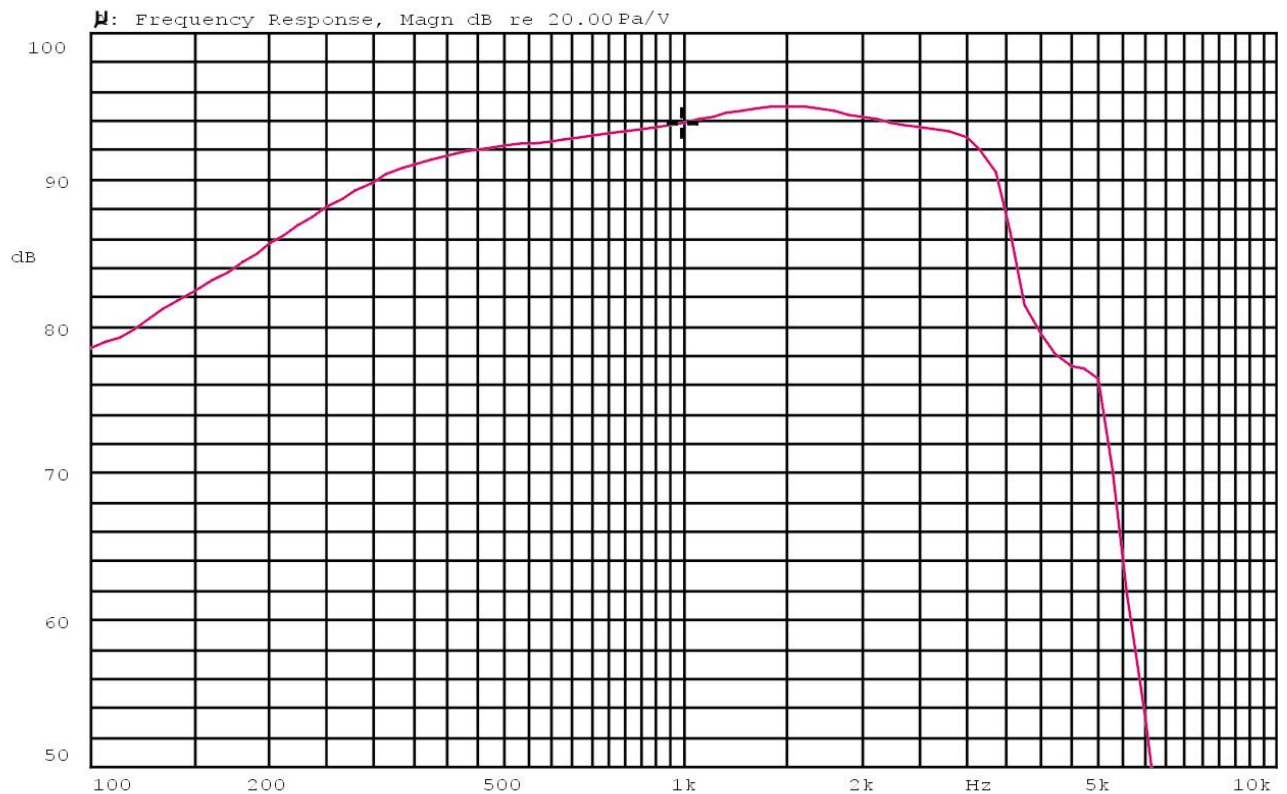
Input signal : 60mV



## 2.3 2Frequency Response Curve

SD152BH

X:1.0000kHz Y:93.90dB ZA:Live Curve SSR Fund.



Mode: Receiver

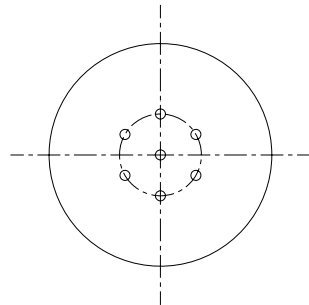
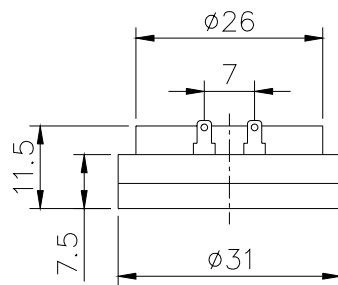
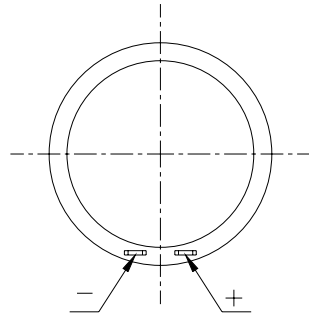


REV NO.

REVISION NOTE

APPROVAL

DATE

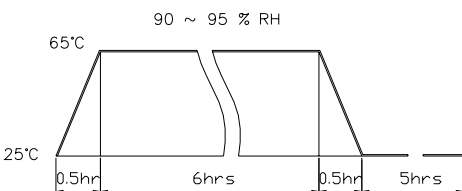


TITLE: DYNAMIC RECEIVER		DRAWN: JOYEN 01/11/2005	SCALE: 1:1	SHEET: 1 of 1
PART NO. SD152BH		DESIGNED: R & D OF AAT	UNITS: mm	
DWG NO. DTR-1086		CHECKED:	TOLERANCE $\pm 0.2$	
		APPROVAL:	UNLESS OTHERWISE SPECIFIED: ONE PLACE DECIMAL $\pm$ *** TWO PLACE DECIMAL $\pm$ *** THREE PLACE DECIMAL $\pm$ ***	
REV		MATERIAL: ABS		



苙翔科技股份有限公司  
ADVANCED ACOUSTIC TECHNOLOGY CORPORATION

## 4. RELIABILITY TESTS

ITEMS.		SPECIFICATIONS
01	High temp. Test	Keep 96 hours at $+85^{\circ}\text{C} \pm 3^{\circ}\text{C}$ and leave 3 hours in normal temperature and then check
02	Low temp. Test	Keep 96 hours at $-40^{\circ}\text{C} \pm 3^{\circ}\text{C}$ and leave 3 hours in normal temperature and then check
03	Humidity test	Keep 96 hours at $+40^{\circ}\text{C} \pm 3^{\circ}\text{C}$ relative humidity 90% and leave 3 hours in normal temperature and then checked.
04	Temp./humidity cycle	<p>The part shall be subjected 5 cycles. One cycle shall be 12 hours and consist of;</p>  <p style="text-align: center;"> <math>90 \sim 95 \% \text{ RH}</math>  <math>65^{\circ}\text{C}</math>  <math>25^{\circ}\text{C}</math>  <math>0.5\text{hr}</math>   <math>6\text{hrs}</math>   <math>0.5\text{hr}</math>   <math>5\text{hrs}</math> </p>
05	Thermal Cycle Test.	Low temperature: $-40^{\circ}\text{C} \pm 3^{\circ}\text{C}$ , temperature: $+85^{\circ}\text{C} \pm 3^{\circ}\text{C}$ , cycle: 1 hour/cycle each, and then keep 5 cycles in a room.
06	Vibration	10~200~10Hz Sin-Wave Sweep 15min. 5G(Constant) X,Y, Z 3 direction. 2 hours each, total 6 hours.
07	Fix Drop test	Fix on Jig. then drop from 152cm height to the concrete floor X,Y, Z 6 direction. 5 times each, total 30 times.
08	Free Drop test	Free drop from 100cm height to the concrete floor X,y, z 6 direction. 1 times each, total 6 times.
09	Load test	Rated power white noise is applied for 96 hours
10	Max Power test	Max Power 1 min on – 2 min off 10 cycles.