

FYL- 3014XXX1A

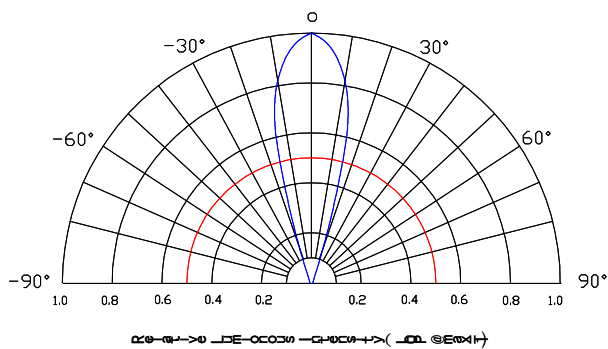
Features:

- General purpose leads
- RoHs compliant.

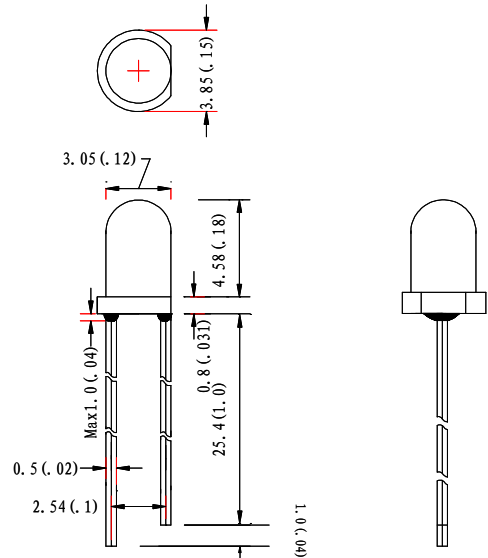
Descriptions:

- Dice material: GaP/GaAsP/InGaN/AlGaInP.
- Device Outline: $\Phi 3\text{mm}$ Round Type.

Radiation pattern.



Package configuration



- ◆ All dimensions are millimeters (inches)
- ◆ Tolerance is $\pm 0.25\text{mm}$ (.010") unless otherwise noted.

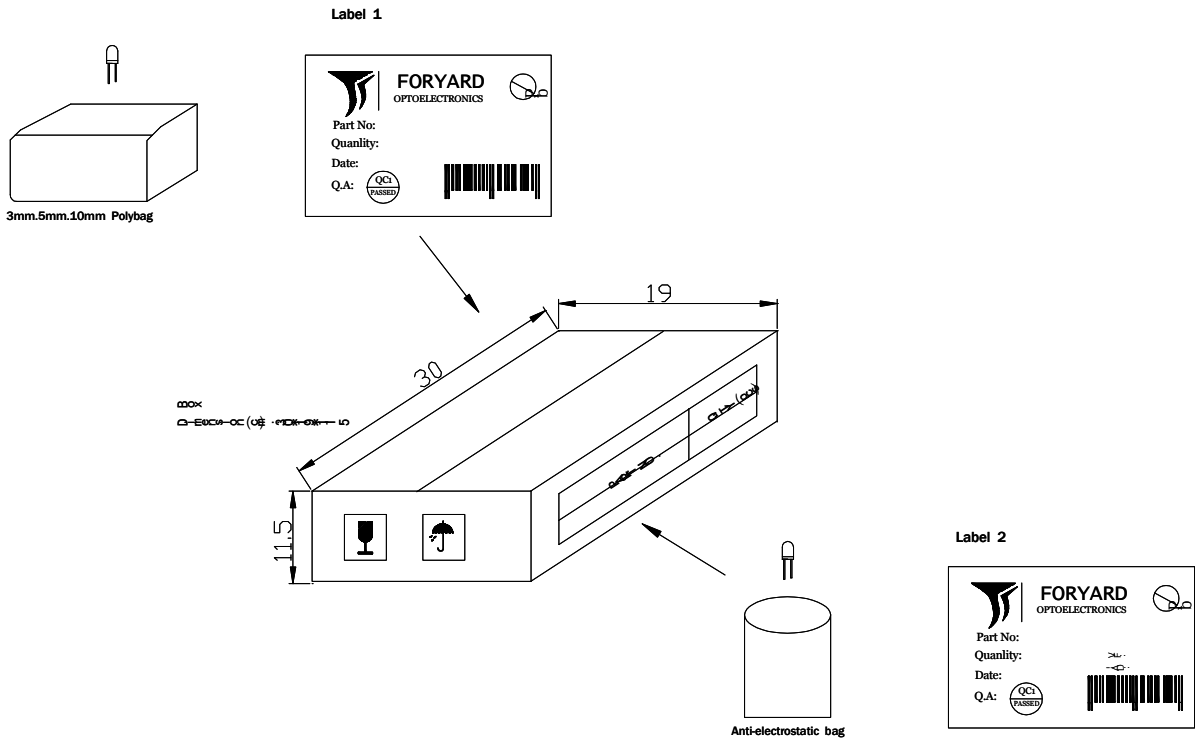
Absolute maximum ratings($T_a=25^\circ\text{C}$)

Parameter	MAX.	Unit
Continuous Forward Current	20	mA
Derating Linear From 50°C	0.4	mA/ $^\circ\text{C}$
Reverse Voltage	5	V
Operating Temperature Range	-30°C to $+80^\circ\text{C}$	
Storage Temperature Range	-40°C to $+100^\circ\text{C}$	
Lead Soldering Temperature[4mm(.157") From Body]	260 $^\circ\text{C}$ for 5 Seconds	

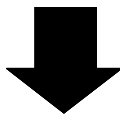
Optical Characteristics at TA = 25° C

Part Number	Lens Color	Wave length (nm)	Intensity (mcd)	Angle ^{2 θ} 1/2
FYL-3014HD1A	Red Diffused	700	20	50
FYL-3014SRD1A	Red Diffused	660	80	50
FYL-3014ED1A	Red Diffused	625	50	50
FYL-3014AD1A	Amber Diffused	610	42	50
FYL-3014YD1A	Yellow Diffused	588	48	50
FYL-3014GD1A	Green Diffused	568	50	50
FYL-3014LRC1A	Water Clear	660	700	30
FYL-3014SHRC1A	Water Clear	640	850	30
FYL-3014SURC1A	Water Clear	630	2200	30
FYL-3014NURC1A	Water Clear	630	2800	30
FYL-3014LURC1A	Water Clear	630	4000	30
FYL-3014SUAC1A	Water Clear	610	1100	30
FYL-3014SUYC1A	Water Clear	588	1800	30
FYL-3014SUGC1A	Water Clear	568	500	30
FYL-3014PGC1A	Water Clear	520	10000	25
FYL-3014BGC1A	Water Clear	505	8000	25
FYL-3014UBC1A	Water Clear	470	2500	25
FYL-3014VC1A	Water Clear	410	90(mW)	25
FYL-3014UWC1A	Water Clear	X:0.29 Y:0.30 9500K	5500	30
FYL-3014WC1A-UWW	Water Clear	X:0.43 Y:0.42 3300K	5200	30
FYL-3014UWC1A-ULW	Water Clear	X:0.25 Y:0.26 15000K	5500	30

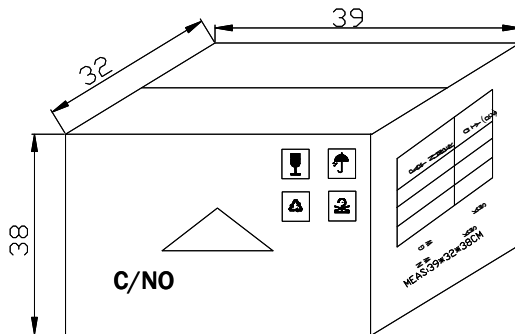
LAMP PACKING.



DEVICE	QTY/polybag(pcs)	Polybag/box A	Fig
5mm(T-1 3/4)	1000	8 bags	Label 1
3mm(T-1)	1000	10 bags	Label 1
10mm(T-1)	250	8 bags	Label 1
Blue/Green/White	500pcs	8 bags	Label 2



CARTON
Dimension(cm):39*32*38



6 Boxes/Carton
5mm:48,000pcs
3mm:60,000pcs
10mm:12,000pcs
Blue/Pure Green/bluish Green
/White:24,000pcs