

08W50-8PX

BASS/MID RANGE DRIVER



KEY FEATURES:

- 95dB 1W / 1m sensitivity
- 49.55mm (2.0in) copper voice coil
- 150W IEC power handling
- 65Hz-3.5kHz frequency response
- Heavy-duty cast aluminum chassis for increased rigidity
- Suitable for compact two way systems and multiway systems

GENERAL SPECIFICATIONS

Nominal Diameter	210mm (8in)
Nominal Impedance	8Ω
Minimum Impedance	7.0Ω
IEC Power Rating ¹	150W
Long-term Maximum Power Handling ²	300W
Short-term Maximum Power Handling ³	600W
Sensitivity (1W/1m) ⁴	95dB
Resonance Frequency	65Hz
Frequency Range	65Hz-3.5kHz
Voice Coil Diameter	49.55mm
Winding Material	Copper
Former Material	Polyimide
Winding Depth	12.6mm
Magnetic Gap Depth	8mm
Xmax ⁵	4.9mm
Flux Density	1.2T
Basket Material	Cast Aluminum
Magnet Material	Ferrite
Suspension Material	Fabric
Surround Material	M-Roll Cloth-sealed
Cone Material	Curvilinear Paper
Net Weight	3.0kg

THIELE SMALL PARAMETERS

Fs	66Hz	Mms	25g
Re	5.6Ω	Mmd	23g
Qms	4.9	Cms	0.23mm/N
Qes	0.40	Vas	16litres
Qts	0.37	Ref. Efficiency	1.1%
Le	0.44mH	Sd	227cm ²
BL	12Tm	EBP	165Hz

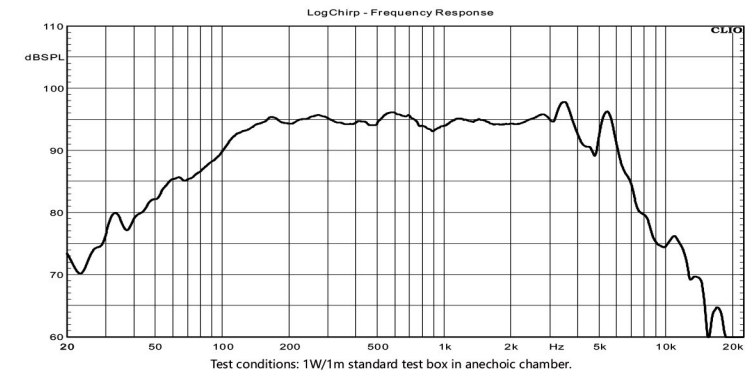
DIMENSIONS

Overall Diameter	210mm
Total Depth	100mm
Depth (Excl. Flange)	91mm
Magnet Diameter	135mm

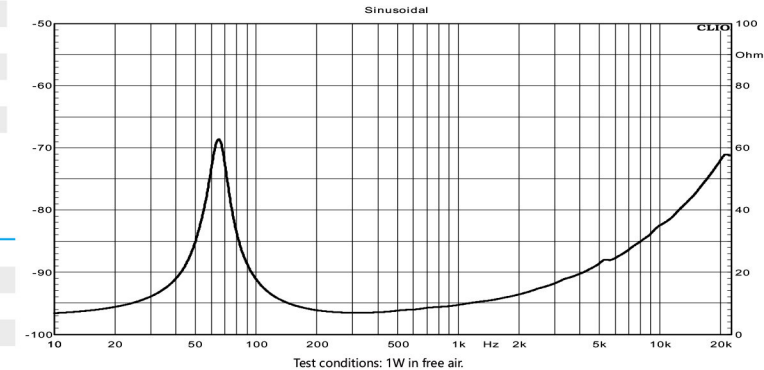
MOUNTING INFORMATION

Baffle Cutout Diameter	186mm
Bolt Circle Diameter	197mm
N. of Mounting Holes	8
Mounting Holes Diameter	ø6.5mm

FREQUENCY RESPONSE CURVE

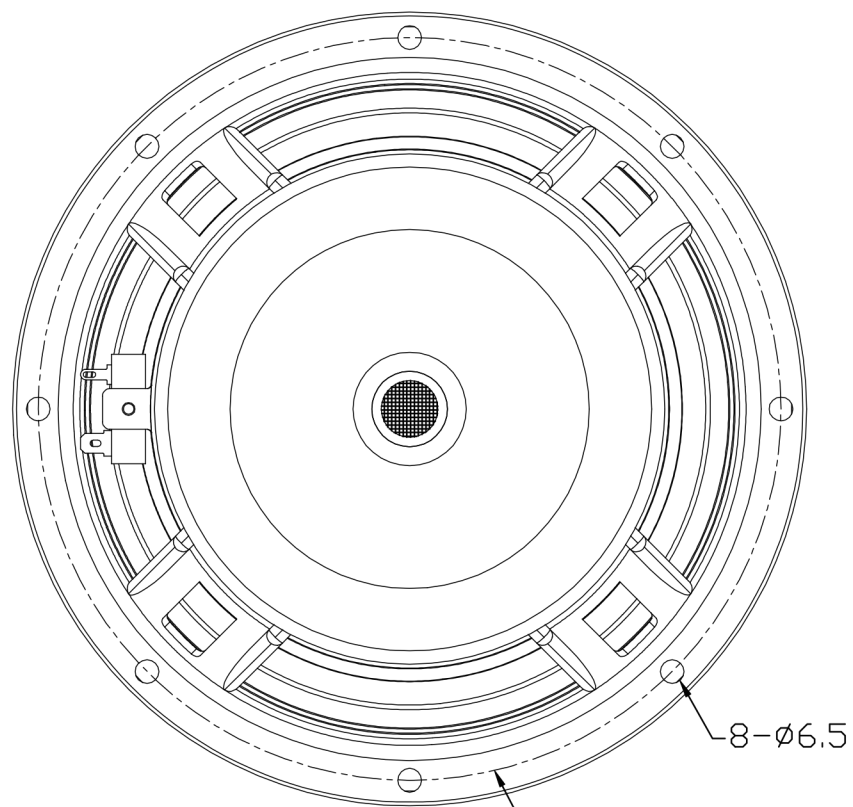


IMPEDANCE CURVE

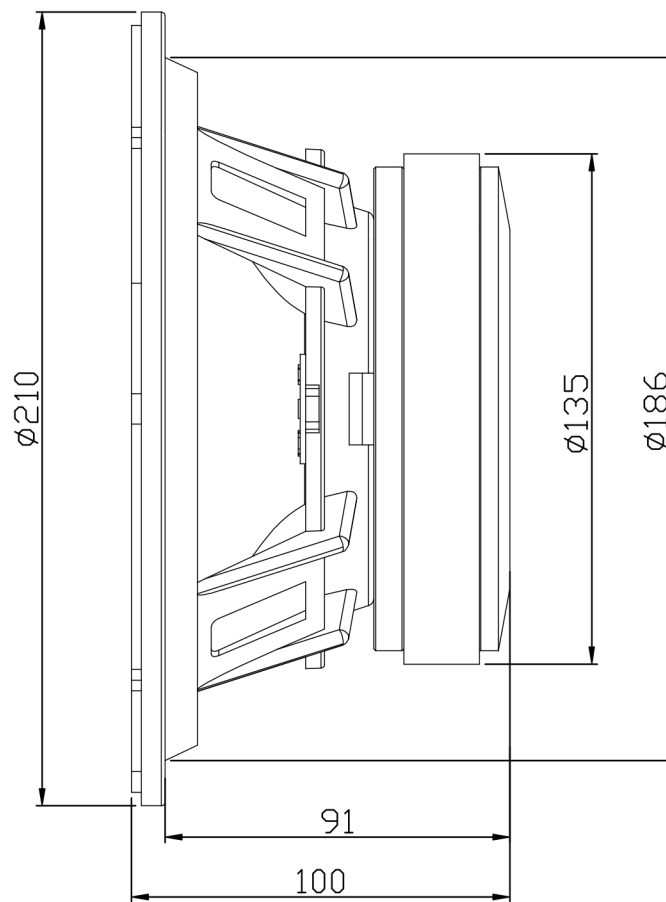


NOTES:

1. 100 hours test according to IEC 60268-5 standard. Power calculated on rated minimum impedance.
2. 2 hours test according to IEC 60268-5 standard. Power calculated on rated minimum impedance.
3. 2 hours test according to IEC 60268-5 standard. Power calculated on rated minimum impedance.
4. Applied RMS Voltage is set to 2.83 V for 8 ohms Nominal Impedance.
5. Xmax = [(winding depth - magnetic gap depth)/2] + (magnetic gap depth/3).
6. Thiele-Small parameters are measured after a preconditioning test.
7. Power test made with continuous pink noise signal within the frequency range.



8-Ø6.5
B.C.Ø197



Ø210
Ø135
Ø186
91
100

Mod. 08W50-8PX		
Scale:1:2	Dimensions in mm	A4
