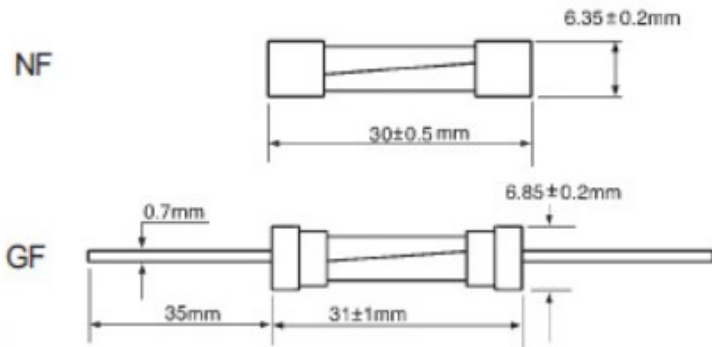


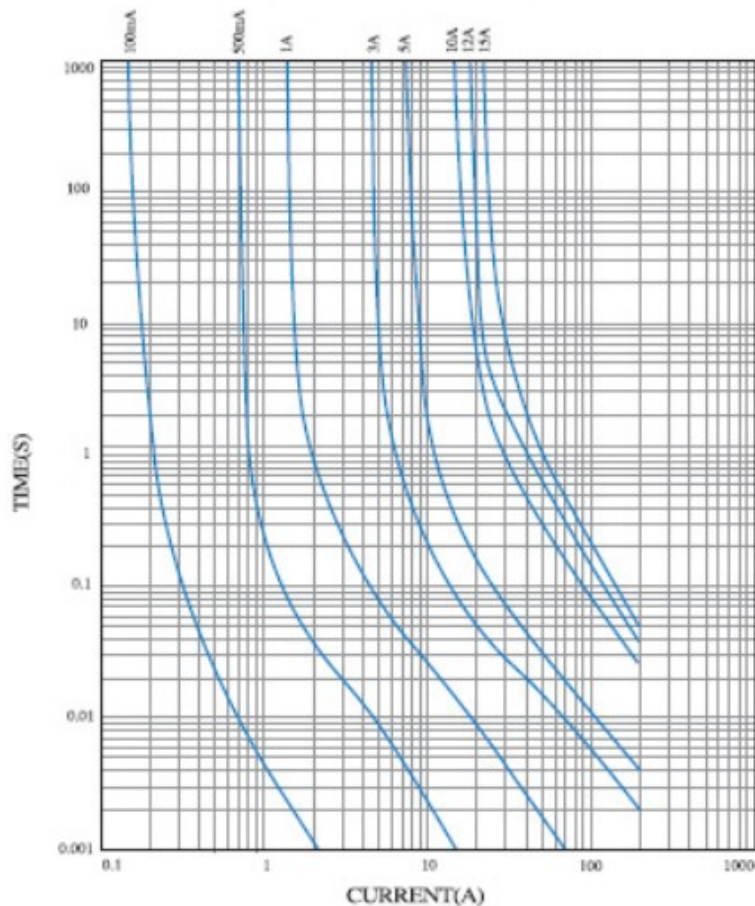
## ZH220 Series Fuse



### ELECTRICAL CHARACTERISTICS

RATING		BLOWING TIME
2.1In	Max	30 min
2.75In	Min	10ms
	Max	2sec
4In	Min	5ms
	Max	300ms
10In	Min	20ms

### I-T CHARACTERISTICS CURVE



Product Model	Rating Current	Rating Voltage
ZH220-0100	100mA	250
ZH220-0200	200mA	250
ZH220-0250	250mA	250
ZH220-0300	300mA	250
ZH220-0315	315mA	250
ZH220-0350	350mA	250
ZH220-0400	400mA	250
ZH220-0500	500mA	250
ZH220-0600	600mA	250
ZH220-0630	630mA	250
ZH220-0750	750mA	250
ZH220-0800	800mA	250
ZH220-010	1A	250
ZH220-013	1.25A	250
ZH220-015	1.5A	250
ZH220-016	1.6A	250
ZH220-020	2A	250
ZH220-025	2.5A	250
ZH220-030	3A	250
ZH220-032	3.15A	250
ZH220-035	3.5A	250
ZH220-040	4A	250
ZH220-050	5A	250
ZH220-060	6A	250
ZH220-063	6.3A	250
ZH220-070	7A	250
ZH220-080	8A	250
ZH220-100	10A	250
ZH220-120	12A	250
ZH220-150	15A	250