

PRELIMINARY SPEC

Part Number: BLB102MGC-12V-P

Mega Green

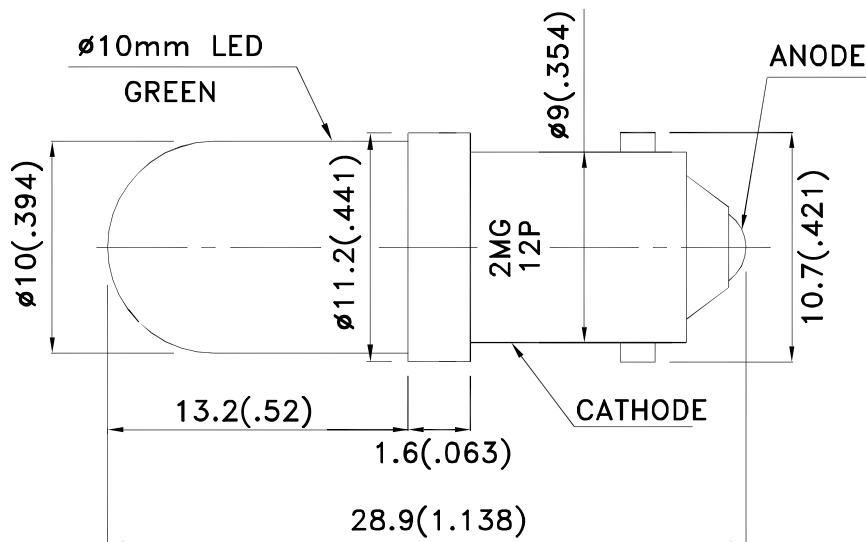
Features

- Built-in current limiting resistor for direct application of different across current.
- Long life.
- Low current, power savings.
- Low maintenance.
- Solid state, high vibration resistant.
- 12V internal resistor.
- RoHS compliant.

Description

The Mega Green source color devices are made with AlGaInP on GaAs substrate Light Emitting Diode.

Package Dimensions



Notes:

1. All dimensions are in millimeters (inches).
2. Tolerance is $\pm 0.25(0.01)$ " unless otherwise noted.
3. Specifications are subject to change without notice.



Selection Guide

Part No.	Dice	Lens Type	Iv (mcd) V= 12V		Viewing Angle
			Min.	Typ.	2θ1/2
BLB102MGC-12V-P	Mega Green (AlGaInP)	WATER CLEAR	280	800	40°

Note:

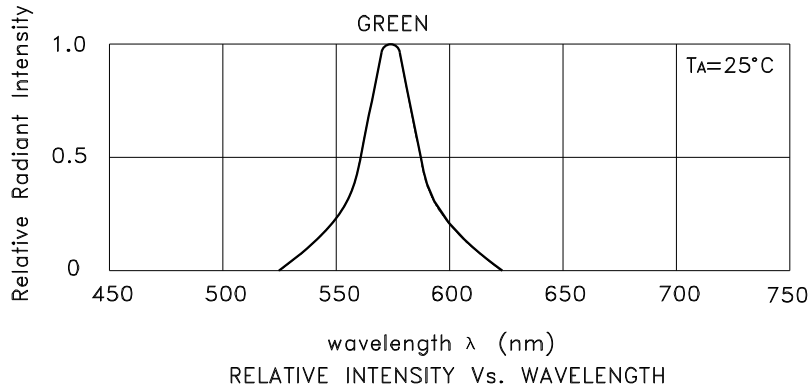
1. θ1/2 is the angle from optical centerline where the luminous intensity is 1/2 the optical centerline value.

Electrical / Optical Characteristics at TA=25°C

Symbol	Parameter	Device	Typ.	Max.	Units	Test Conditions
λ_{peak}	Peak Wavelength	Mega Green	574		nm	V _F =12V
λ_D	Dominant Wavelength	Mega Green	570		nm	V _F =12V
$\Delta\lambda_{1/2}$	Spectral Line Half-width	Mega Green	26		nm	V _F =12V
I _F	Forward Current	Mega Green	16	20	mA	V _F =12V
I _R	Reverse Current	Mega Green		10	uA	V _R = 5V

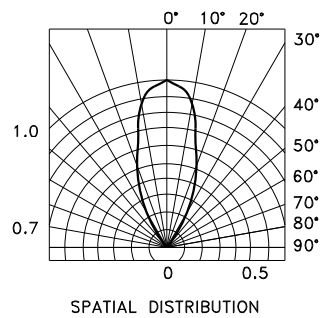
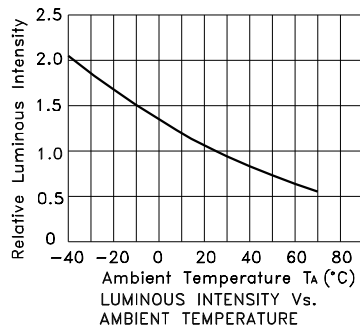
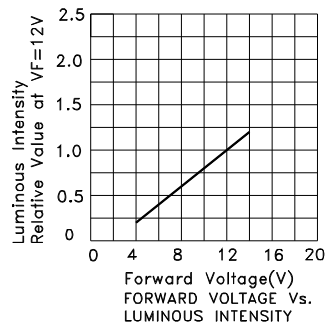
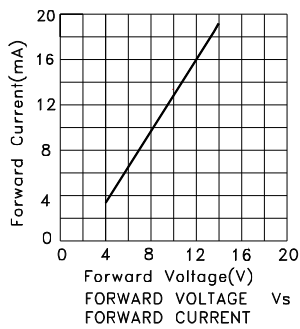
Absolute Maximum Ratings at TA=25°C

Parameter	Mega Green	Units
Power dissipation	280	mW
Forward Voltage	14	V
Reverse Voltage	5	V
Operating Temperature	-40°C To +70°C	
Storage Temperature	-40°C To +85°C	



Mega Green

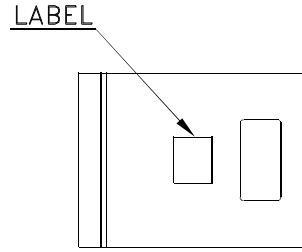
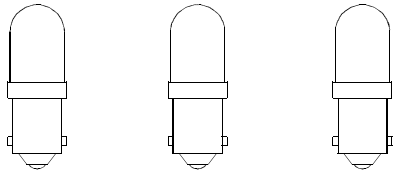
BLB102MGC-12V-P



Kingbright

PACKING & LABEL SPECIFICATIONS

BLB102MGC-12V-P

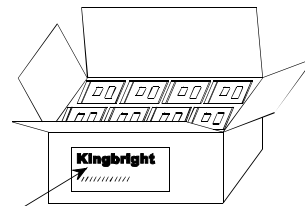


100PCS/BAG




4K/9# BOX

OUTSIDE LABEL



OUTSIDE LABEL

2K/5# BOX

Kingbright	
P/NO: BLB102xxx	
QTY: 100 pcs	Q.C. Q C xx-xx-xxxx PASSED
S/N: XXXX	
CODE: XXX	
LOT NO:	
 <small>XXXXXXXXXXXXXXXXXXXXXXXXXXXX</small>	
RoHS Compliant	