



MC34119

LINEAR INTEGRATED CIRCUIT

LOW POWER AUDIO AMPLIFIER

DESCRIPTION

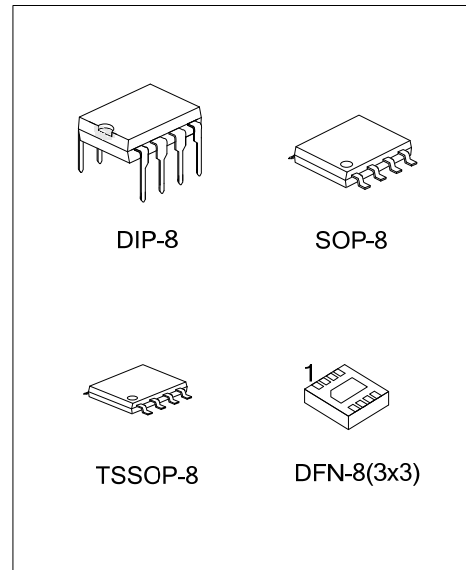
The UTC **MC34119** is a low power audio amplifier IC intended for the telephone applications, such as in speakerphones. It provides differential speaker outputs to maximize output swing at low supply voltages. Coupling capacitor to the speaker is not required. Open loop gain is 80dB, and the closed loop gain is set with two external resistors. The Mute pin permits powering down and/or muting the input signal.

FEATURES

- * Wide operating supply voltage: $V_{CC}=2V\sim 16V$
- * Low quiescent supply current ($I_{CC}=2.7mA$, typ)
- * Medium power output over 250mW at $V_{CC}=6V$, $R_L=32\Omega$, THD < 10%
- * Load impedance range (8 $\Omega\sim 100\Omega$)
- * Low total harmonic distortion (0.5% typ)
- * Mute function ($I_{CC}=65\mu A$, typ)
- * Minimum number of external parts required

ORDERING INFORMATION

Ordering Number		Package	Packing
Lead Free	Halogen Free		
MC34119L-D08-T	MC34119G-D08-T	DIP-8	Tube
-	MC34119G-S08-R	SOP-8	Tape Reel
-	MC34119G-P08-R	TSSOP-8	Tape Reel
-	MC34119G-K08-3030-R	DFN-8(3x3)	Tape Reel

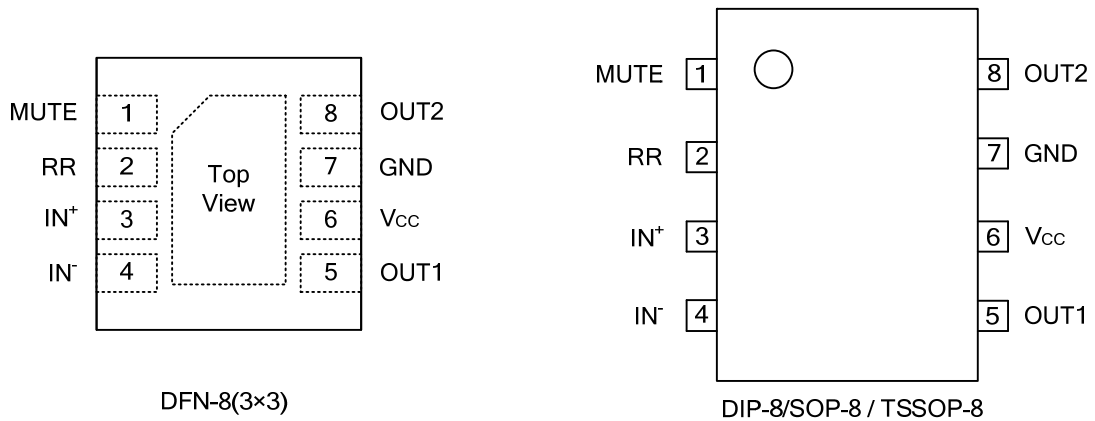


<p>MC34119L-D08-T</p> <p>(1) Packing Type (2) Package Type (3) Green Package</p>	<p>(1) T: Tube, R: Tape Reel (2) D08: DIP-8, S08: SOP-8, P08: TSSOP-8 K08-3030: DFN-8(3x3) (3) L: Lead Free, G: Halogen Free and Lead Free</p>
--	--

MARKING

DIP-8	SOP-8
<p>UTC □□□□ → Date Code MC34119 □ → L: Lead Free □ → G: Halogen Free □□ → Lot Code</p>	<p>UTC □□□□ → Date Code MC34119G → Lot Code</p>
TSSOP-8	DFN-8(3×3)
<p>UTC □□□□ → Date Code MC34119G → Lot Code</p>	<p>MC 34119 → Date Code</p>

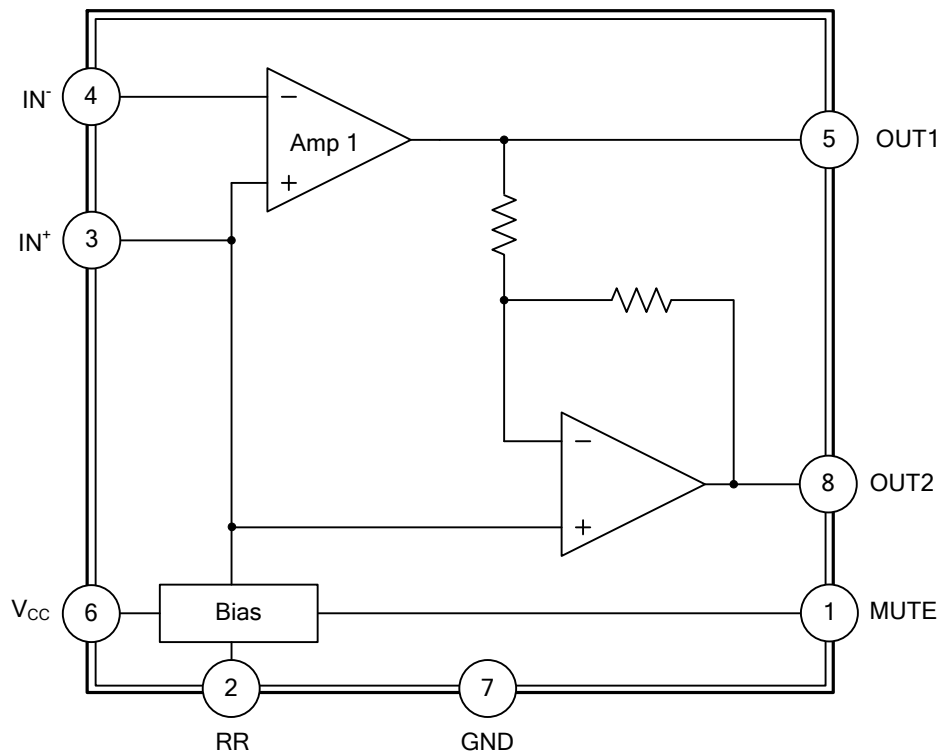
PIN CONFIGURATION



PIN DESCRIPTION

PIN NO.	PIN NAME	DESCRIPTION
1	Mute	This pin can be used to power down the IC to conserve power, or for muting, or both. When at a logic "LOW" (less than 0.8V), the IC is enabled for normal operation. When at a logic "HIGH" (2V to V _{CC}), the IC is disabled. If Mute is open, that is equivalent to a logic "LOW".
2	Ripple Rejection	A capacitor at this pin increase power supply rejection, and affects turn-on time. This pin can be left open if the capacitor at pin 3 is sufficient.
3	Input(+)	Analog Ground for the amplifiers. A 1μF capacitor at this pin (with a 5μF capacitor at pin 2) provides 52dB(typ) of power supply rejection. Turn-on time of the circuit is affected by the capacitor on this pin. This pin can be used as an alternative input.
4	Input(-)	Amplifier input. The input capacitor and resistor set low frequency roll-off and input impedance. The feedback resistor is connected between this pin and output 1.
5	Output 1	Amplifier output 1. The DC level is about (V _{CC} -0.7V)/2.
6	V _{CC}	DC supply voltage is applied to this pin (V _{CC} =2~16V).
7	GND	Ground pin.
8	Output 2	Amplifier output 2. This signal is equal in amplitude, but 180° out of phase with that output 1, the DC level is about (V _{CC} -0.7V)/2.

■ BLOCK DIAGRAM



■ ABSOLUTE MAXIMUM RATINGS ($T_A=25^\circ\text{C}$, unless otherwise specified)

PARAMETER	SYMBOL	RATINGS	UNIT
Supply Voltage	V_{CC}	-1 ~ +18	V
Output Current	I_{OUT}	± 250	mA
Maximum Input, Ripple Rejection, Mute Pin Voltage	V_{IN}	-1 ~ +1	V
Applied Output Voltage (Output Pin When Disabled)	V_{OUT}	-1 ~ +1	V
Junction Temperature	T_J	+125	$^\circ\text{C}$
Operating Temperature	T_{OPR}	-20 ~ +85	$^\circ\text{C}$
Storage Temperature	T_{STG}	-40 ~ +150	$^\circ\text{C}$

Note: Absolute maximum ratings are those values beyond which the device could be permanently damaged.

Absolute maximum ratings are stress ratings only and functional device operation is not implied.

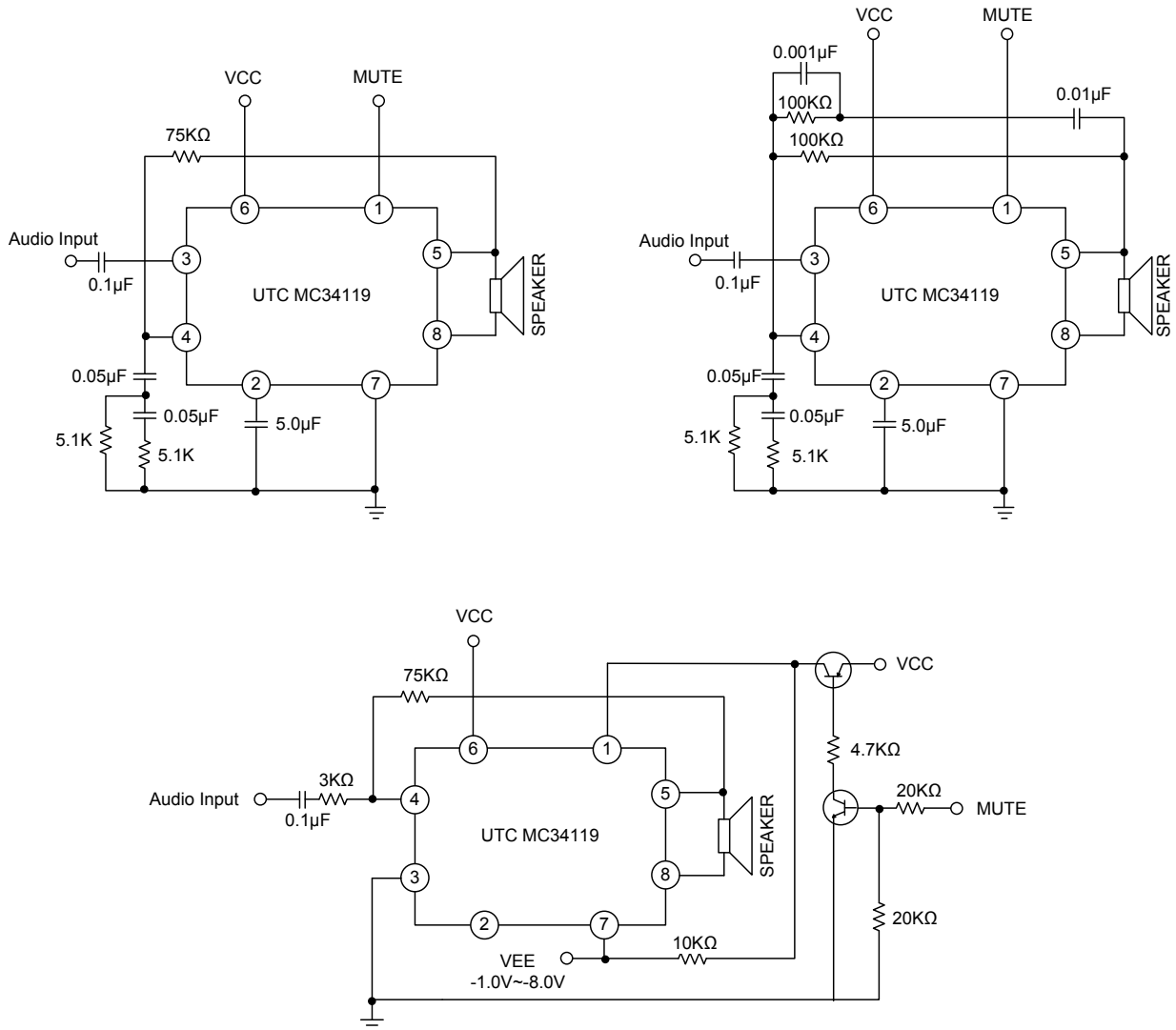
■ RECOMMENDED OPERATION CONDITIONS ($T_A=25^\circ\text{C}$, unless otherwise specified)

PARAMETER	SYMBOL	RATINGS	UNIT
Supply Voltage	V_{CC}	2~16	V
Load Impedance	Z_L	8~100	Ω
Peak Load Current	$I_{L(PEAK)}$	± 200	mA
Differential Gain (5KHz Bandwidth)	ΔG_V	0~46	dB
Voltage at Mute	$V_{I(MUTE)}$	0~ V_{CC}	V
Ambient Temperature	T_A	-20~+70	$^\circ\text{C}$

■ ELECTRICAL CHARACTERISTICS ($V_{CC}=6\text{V}$, $T_A=25^\circ\text{C}$, unless otherwise specified)

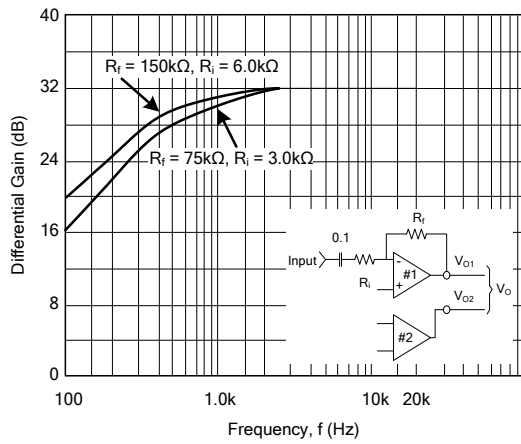
PARAMETER	SYMBOL	TEST CONDITIONS	MIN	TYP	MAX	UNIT
DC PARAMETER						
Operating Current	I_{CC}	$V_{CC}=3\text{V}$, Mute=0.8V		2.7	4	mA
		$V_{CC}=16\text{V}$, Mute=0.8V		3.3	5	mA
		$V_{CC}=3\text{V}$, Mute=2V		65	100	μA
Output Voltage	V_{OUT}	$R_L=16\Omega$, $R_1=75\text{K}\Omega$, $V_{CC}=3\text{V}$	1	1.15	1.25	V
		$R_L=16\Omega$, $R_1=75\text{K}\Omega$, $V_{CC}=6\text{V}$		2.65		V
		$R_L=16\Omega$, $R_1=75\text{K}\Omega$, $V_{CC}=12\text{V}$		5.65		V
Output Offset Voltage	$V_{O(OFF)}$	$V_{CC}=6\text{V}$, $R_F=75\text{K}\Omega$, $R_L=32\Omega$	-30	0	30	mV
Output High Level	V_{OH}	$2\text{V} < V_{CC} < 16\text{V}$, $I_{OUT}=-75\text{mA}$		$V_{CC}-1$		V
Output Low Level	V_{OL}	$2\text{V} < V_{CC} < 16\text{V}$, $I_{OUT}=75\text{mA}$		0.16		V
Input Bias Current	$I_{I(BIAS)}$			-100	-200	nA
Equivalent Resistance	R_{EQ}	Pin 3	100	150	220	K Ω
		Pin 2	18	25	40	K Ω
AC PARAMETER						
Open Loop Gain of Amp. 1	G_{V1}		80			dB
Open Loop Gain of Amp. 2	G_{V2}	$f=1\text{KHz}$, $R_L=32\Omega$	-0.35	0	0.35	dB
Output Power	P_{OUT}	$V_{CC}=3\text{V}$, $R_L=16\Omega$, THD<10%	55			mW
		$V_{CC}=6\text{V}$, $R_L=32\Omega$, THD<10%	250			mW
		$V_{CC}=12\text{V}$, $R_L=100\Omega$, THD<10%	400			mW
Total Harmonic Distortion ($f=1\text{KHz}$)	THD	$V_{CC}=6\text{V}$, $R_L=32\Omega$, $P_{OUT}=125\text{mW}$		0.5	1	%
		$V_{CC}\geq 3\text{V}$, $R_L=8\Omega$, $P_{OUT}=20\text{mW}$		0.5		%
		$V_{CC}\geq 12\text{V}$, $R_L=32\Omega$, $P_{OUT}=200\text{mW}$		0.6		%
Gain Bandwidth Product	GB_W			1.5		MHz
Power Supply Rejection ($V_{CC}=6\text{V}$, $\Delta V_{CC}=3\text{V}$)	RR	$C_1=\infty$, $C_2=0.01\mu\text{F}$	50			dB
		$C_1=0.1\mu\text{F}$, $C_2=0$, $f=1\text{KHz}$		12		dB
		$C_1=1\mu\text{F}$, $C_2=5\mu\text{F}$, $f=1\text{KHz}$		52		dB
Muting	$G_{V(MUTE)}$	Mute=2V, $1\text{KHz} < f < 20\text{KHz}$	70			dB

■ TYPICAL CIRCUIT

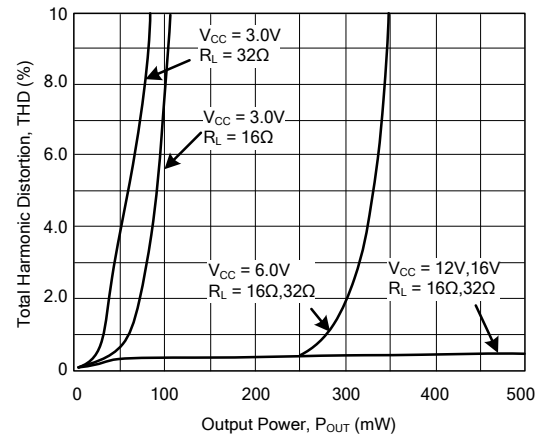


TYPICAL CHARACTERISTICS

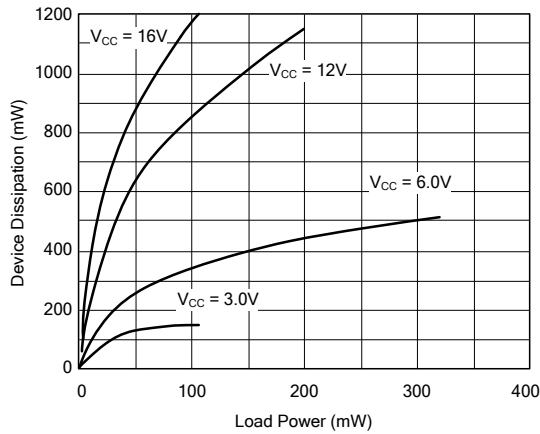
Differential Gain Versus Frequency



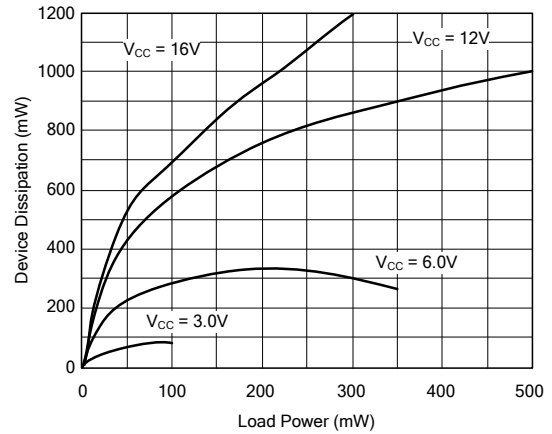
Distortion Versus Power
(f = 1, 3.0kHz, AVD = 12dB)



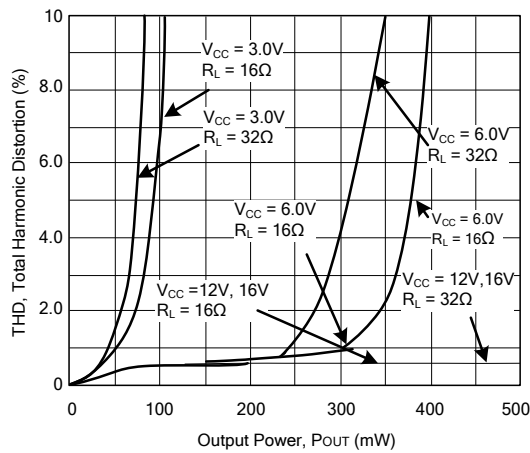
Device Dissipation, 16Ω Load



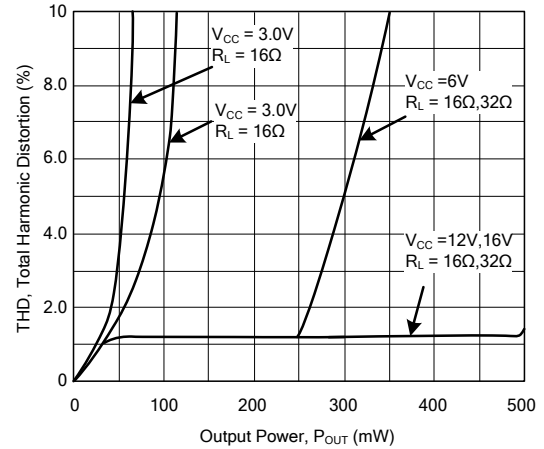
Device Dissipation, 32Ω Load



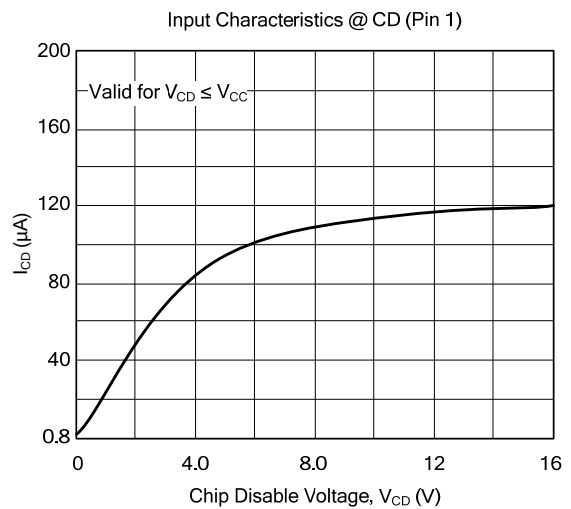
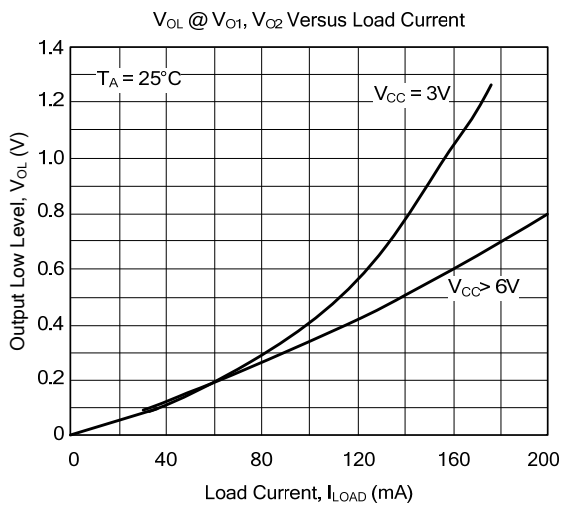
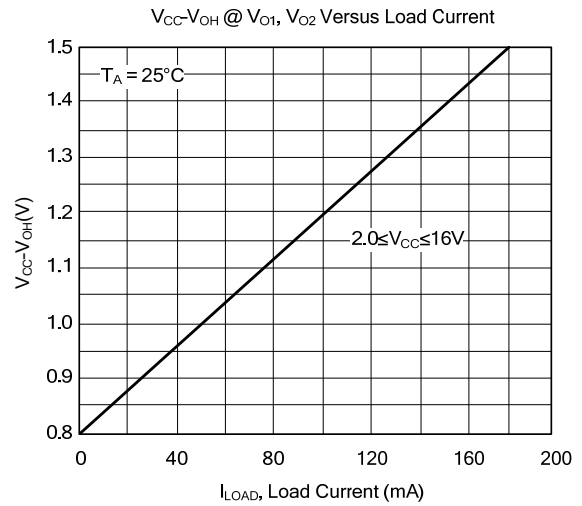
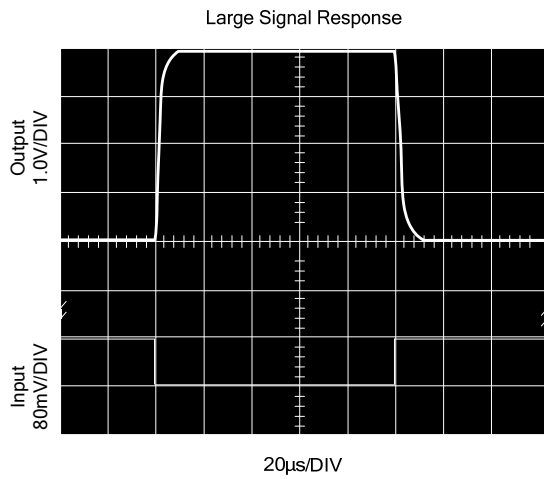
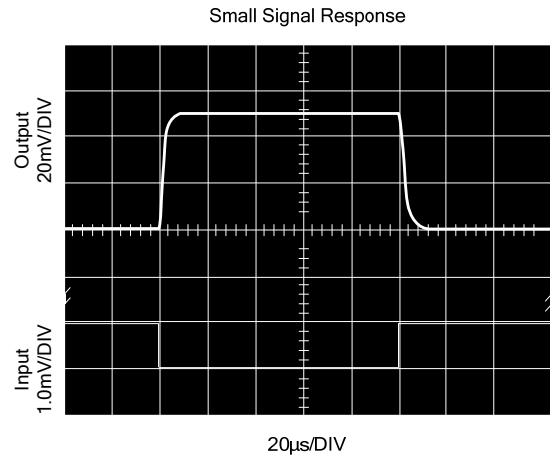
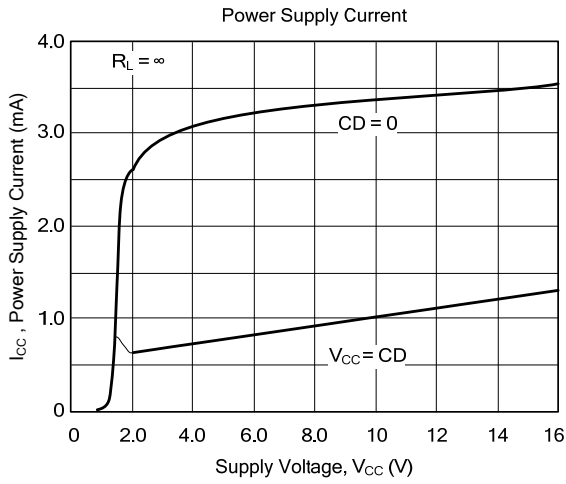
Distortion Versus Power
(f = 1.0kHz, AVD = 34dB)



Distortion Versus Power
(f = 3.0kHz, AVD = 34dB)



■ TYPICAL CHARACTERISTICS(Cont.)



UTC assumes no responsibility for equipment failures that result from using products at values that exceed, even momentarily, rated values (such as maximum ratings, operating condition ranges, or other parameters) listed in products specifications of any and all UTC products described or contained herein. UTC products are not designed for use in life support appliances, devices or systems where malfunction of these products can be reasonably expected to result in personal injury. Reproduction in whole or in part is prohibited without the prior written consent of the copyright owner. The information presented in this document does not form part of any quotation or contract, is believed to be accurate and reliable and may be changed without notice.