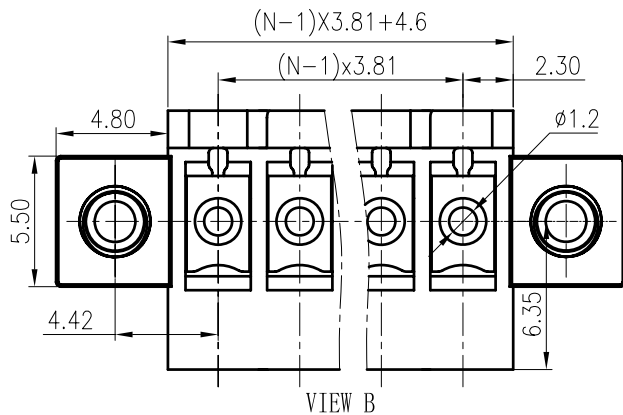
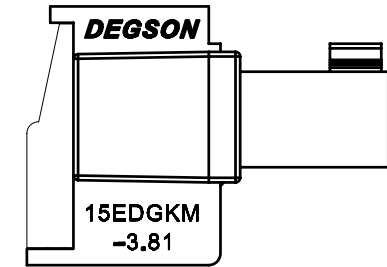
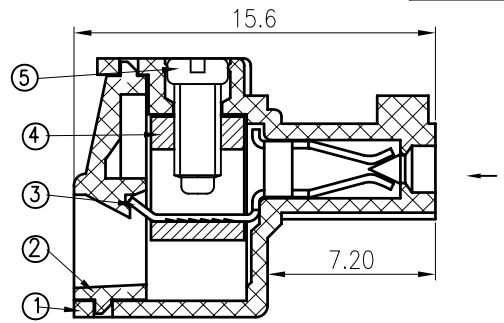
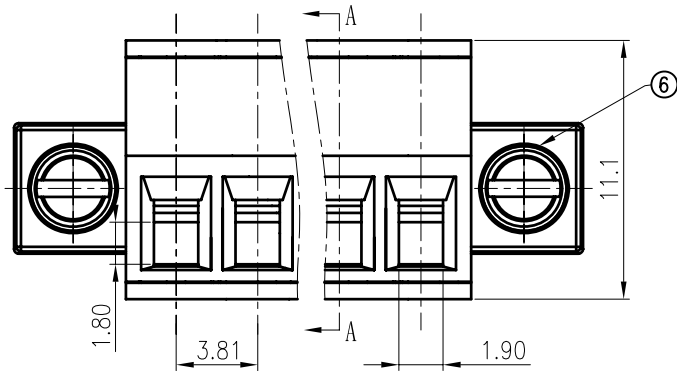
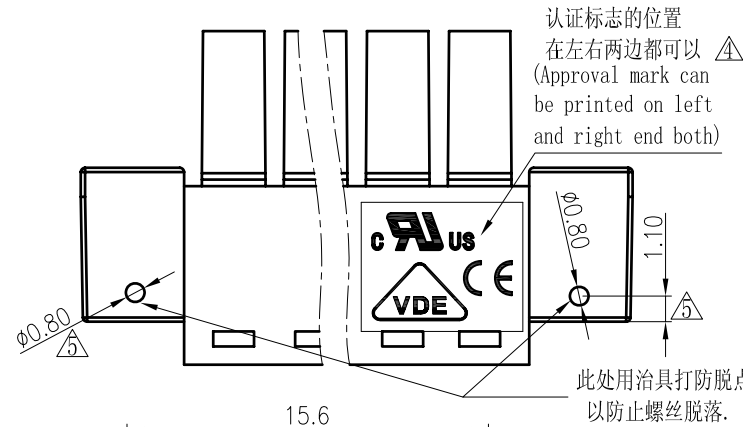
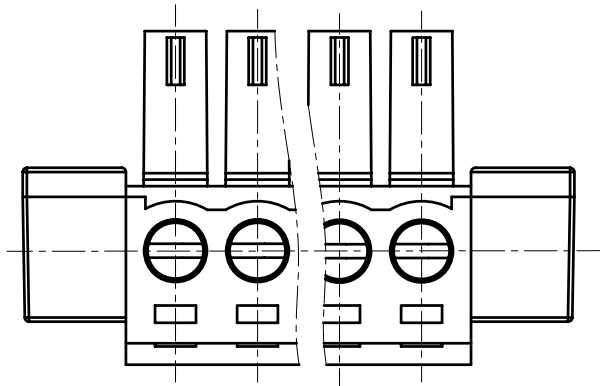


REVISION RECORD					
REV	ECO	DESCRIPTION	DRFT	DATE	
①		Drawing emend	WF	05/08/06	
②		品名、料号增加环保标示“(H)”	LJH	12/11/07	
③		增加VDE刻字及修改料号	Zengy	01/12/09	
④		修改螺丝防脱卡点位置及尺寸	WLM	04/21/09	



SECTION A-A

Notes:

- Pitch: 3.81mm, Poles: 2-24P
- Rated voltage/current: UL 300V/8A
VDE 250V/7A
- Operation temperatures: -40°C ~ +105°C
- Withstanding Voltage: AC2000V/1Min
- Insulation Resistance: 5000MΩ/DC1000V
- Wire Range: 28~16AWG, 0.5~1.5mm²
- Max. Torque Value: M2, 2.04kgf.cm
- Undimensioned Tolerances:

	Pitch range in mm				Nominal dimension range in mm			—
	to 6	over 6 to 10	over 10 to 24	to 30	over 30 to 60	over 60 to 100	over 100 to 150	
±0.10	±0.15	±0.25	±0.2	±0.3	±0.5	±0.7	±1.0	0.05/10

ITEM	DESCRIPTION	QTY	MATERIAL	REMARKS
6	2EDG-"—"Screws	2	Steel	Cr ³⁺ Zn
5	15EDG-"—"Screws	XX	Steel	Cr ³⁺ Zn
4	15EDG-Brass cage	XX	Brass	Ni plated
3	15EDG-Clamp	XX	Phoshor Bronze	Ni plated
2	15EDGK-3.81-Cover	1	PA66	UL94V-0

ITEM	NAME OF PART	NO. OF PART	Q"TY	MATERIAL	NOTES
1	15EDGKM-3.81-Housing	1038A0YXXA (H)	1	PA66	UL94V-0

DFTO LIUM CHKD MFO APPVL	DATE 10/28/04" DATE DATE DATE	宁波高正电子有限公司 DEGSON ELECTRONICS CO., LTD
TOLERANCES EXCEPT AS NOTED .0 ± .00 ± .000 ±		
ANGLES ± 1° THIRD ANGLE PROJECTION		NAME 15EDGKM-3.81-XXP-1Y-00A (H)
G.E : FINISH :		DRAWING NO. 15EDGKM-3.81-E01 /PART NO.
SCALE : 1:1		SIZE A3 REV T5 04/21/09
DO NOT SCALE DRAWING		SHEET 1 OF 1